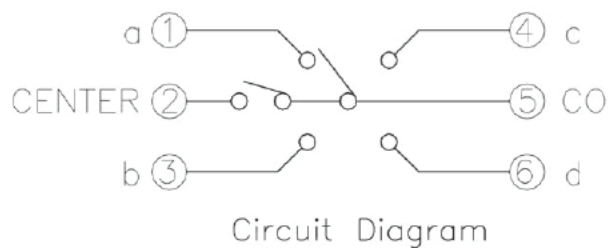
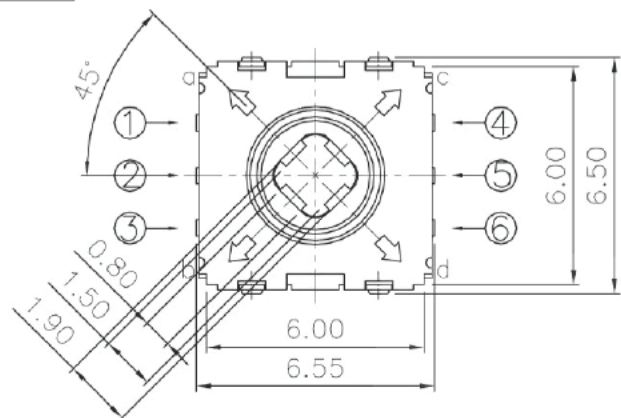
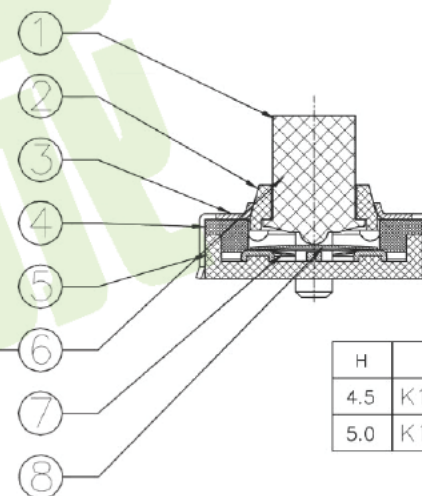
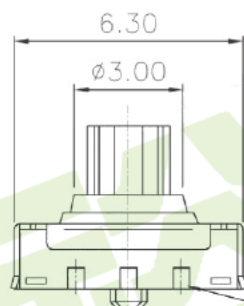
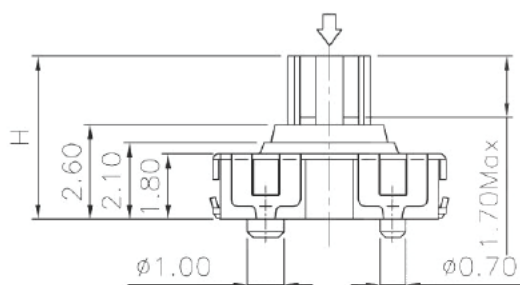


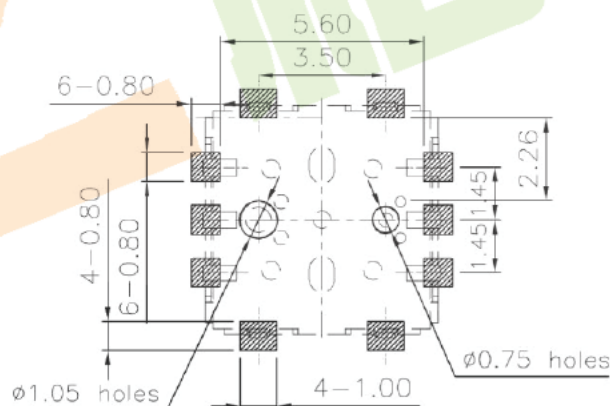
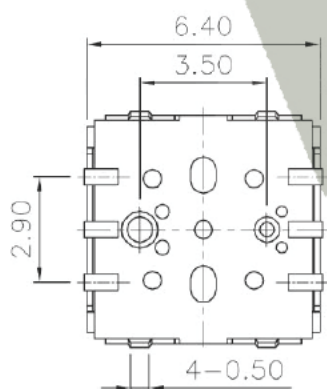
ROHS



NOTE:
 Operating Force:
 lever portion 160 ± 35 gf
 Push portion 250 ± 35 gf



H	PART NO.
4.5	K1-1202UA-01
5.0	K1-1202UA-02



PCB Layout(Pattern Side)

⑧	Contact 2	—	1	F.Ag/SUS/φ3.5	Natural	—
⑦	Contact 1	—	4	F.Ag/SUS/φ2.4	Natural	—
⑥	Terminal	—	6	Brass(0.15t)	Plating silver	—
⑤	Base	—	1	LCP	Black	—
④	Gasket	—	1	LCP	Black	—
③	Cover	—	1	Brass(0.15t)	Plating silver	—
②	Axle sleeve	—	1	LCP	Ivory Tint	—
①	Keystoke	—	1	PA46	Black	—
ITEM	PART NAME	TER'NO.	QTY.	MATERIAL	FINISHING	REMARK

APPROVALS

DATE

深圳市裕诚电子有限公司
 SHENZHEN YUChENG ELECTRONICS CO.,LTD

DRAWN

J.X.Zhang

2013/7/26

CHECKED

WEBSITE

www.ycelectron.com

APPROVALS

PART NO.

M1-5368G

TOLERANCES ARE

30~以下 ±0.30
 10~30 ±0.20
 5~10 ±0.15
 ~5 ±0.10

ANGLE

±2'

UNIT: mm

SCALE: 1:1

PROJ:

ECN NO.

REV.

DATE.

DESCRIPTION.

CHANGE.

CHECK.

APPRO.

NEW

DRAWING NO.

SCALE: 1:1

SHEET 1 OF 1