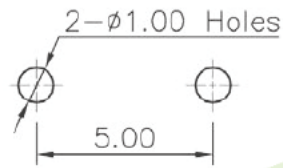
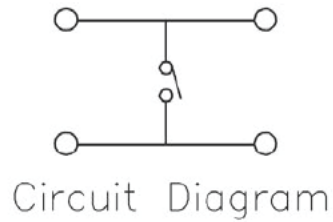
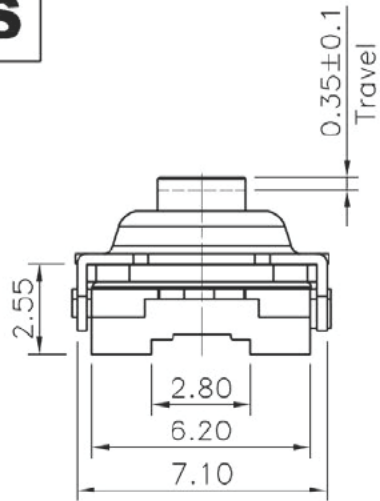
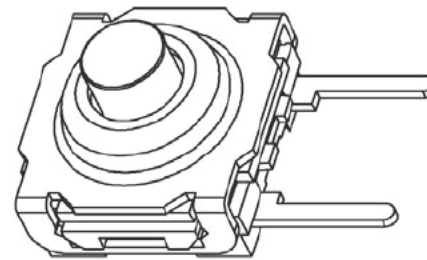
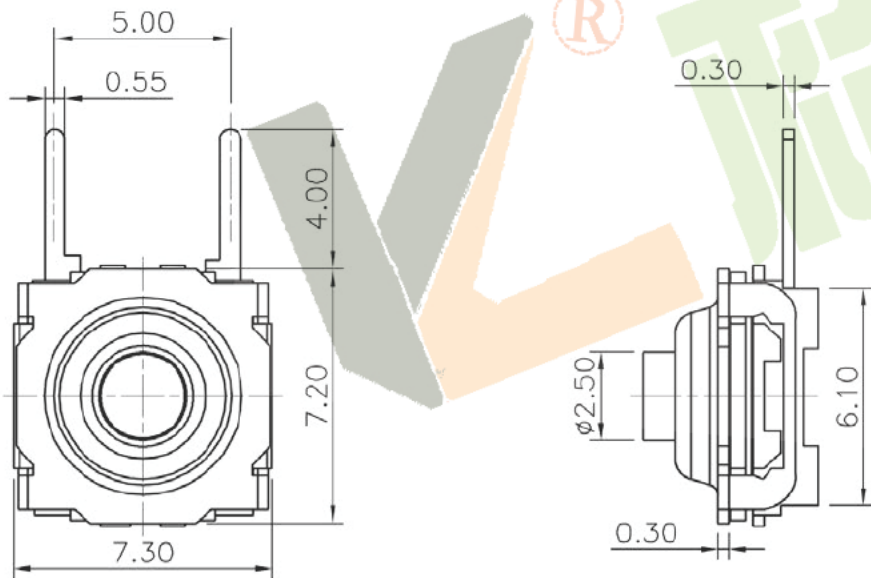


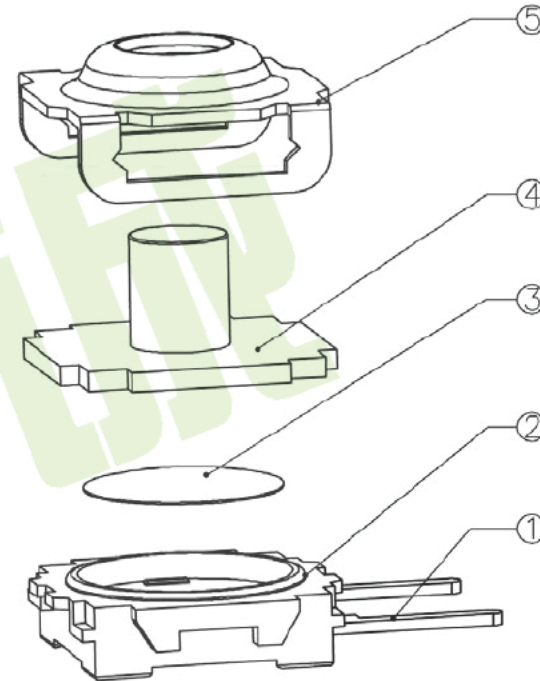
**ROHS**



PCB Layout(Pattern side)



NO.1	
PART NO	H
C	5
G	7
H	7.5
J	8.5
M	9.9



NO.2	
PART NO	vigor
4	250±30
5	350±50

NO.3	
PART NO	MATERIAL/QTY
S	SUS/1PC
C	C5210/1PC
D	SUS/2PCS
F	C5210/2PCS

NO.4-NO.5	
PART NO	NOTE
01~99	SERIAL NUMBER

⑤	Cover	—	1	Brass	Tin Plated	—
④	Keystoke	—	1	Silica gel	Red	—
③	Contact	—	1	F.Ag/C5210	Plating silver	—
②	Base	—	1	PPA	Black	—
①	Terminal	—	4	Copper(0.3t)	Plating silver	—
ITEM	PART NAME	TER'NO.	QTY.	MATERIAL	FINISHING	REMARK

APPROVALS			DATE		深圳市裕诚电子有限公司		
DRAWN	J.X.Zhang	2013/6/13			SHENZHEN YUCHENG ELECTRONICS CO.,LTD		
CHECKED					WEBSITE	www.ycelectron.com	
APPROVALS					PART NO.	M2-1826D	
TOLERANCES ARE			30~12.1	±0.30	ANGLE	UNIT: mm	
			10~30	±0.20			
			5~10	±0.15			
			~ 5	±0.10			
				±2'	DRAWING NO.	SCALE: 1:1	
ECN NO.	REV.	DATE.	DESCRIPTION.	CHANGE.	CHECK.	APPRO.	PROJ:
	A		NEW				SHEET 1 OF 1