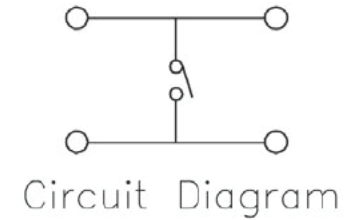
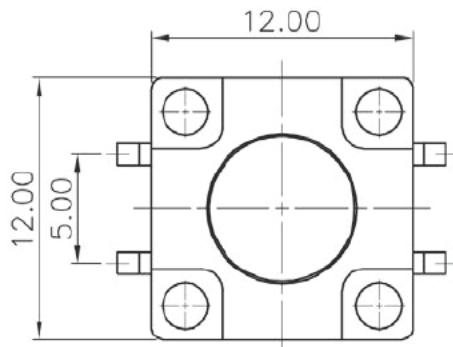
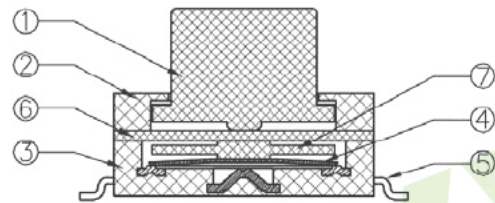


ROHS



PCB Layout(Pattern side)

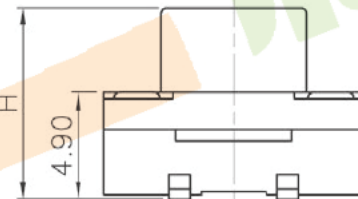
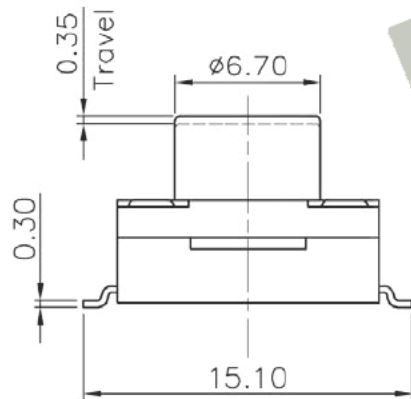


NO.1			
PART NO	H	PART NO	H
E	6	Q	12
F	6.5	R	12.5
G	7	S	13
H	7.5	T	13.5
I	8	U	14
J	8.5	V	15
K	9	W	16
L	9.5	X	17
M	10	Y	18
N	10.5	Z	19
O	11	1	15.5
P	11.5	2	16.5

NO.2	
PART NO	vigor
4	250±30
5	350±50

NO.3	
PART NO	MATERIAL/QTY
S	SUS/1PC
C	C5210/1PC
D	SUS/2PCS
F	C5210/2PCS

NO.4-NO.5	
PART NO	NOTE
01~99	SERIAL NUMBER



⑦	Gasket	—	1	Nylon	—	—
⑥	Waterproof Silicone	—	1	Silica gel	—	—
⑤	Terminal	—	4	Brass(0.3t)	Plating silver	—
④	Contact	—	1	F.Ag/C5210	—	—
③	Base	—	1	Nylon	Black	UL94V-0
②	Cover	—	1	Nylon	—	—
①	Keystoke	—	1	Nylon	Black	UL94V-0
ITEM	PART NAME	TER'NO.	QTY.	MATERIAL	FINISHING	REMARK

APPROVALS		DATE	深圳市裕诚电子有限公司 SHENZHEN YUCHENG ELECTRONICS CO.,LTD			
DRAWN	J.X.Zhang	2013/7/17	WEBSITE		www.ycelectron.com	
CHECKED			PART NO.		M2-1828A	
APPROVALS			TOLERANCES ARE		30~12.1 ±0.30 10~30 ±0.20 5~10 ±0.15 ~ 5 ±0.10	
CHANGE.		ANGLE	UNIT: mm		SCALE: 1:1	
CHECK.		±2'	DRAWING NO.		SHEET 1 OF 1	
APPRO.						

ECN NO.	REV.	DATE.	DESCRIPTION.	CHANGE.	CHECK.	APPRO.
—	A	—	NEW	—	—	—