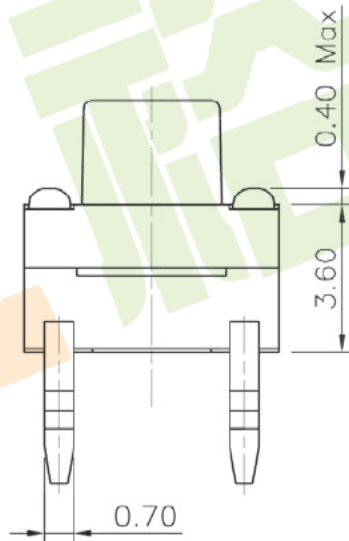
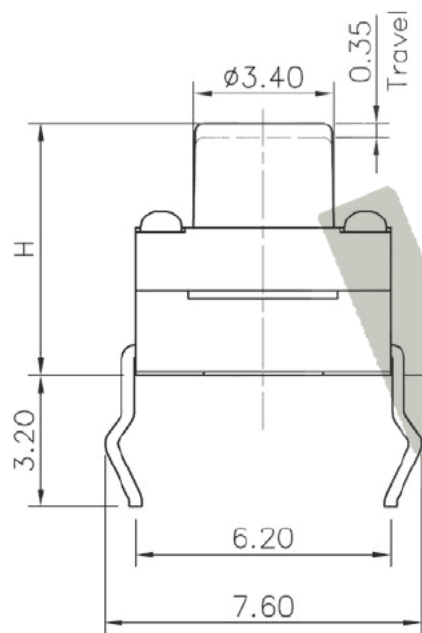


PCB Layout (Pattern side)

Circuit Diagram



NO.1			
PART NO	H	PART NO	H
A	4.3	O	11
B	4.5	P	11.5
C	5	Q	12
D	5.5	R	12.5
E	6	S	13
F	6.5	T	13.5
G	7	U	14
H	7.5	V	15
I	8	W	16
J	8.5	X	17
K	9	Y	18
L	9.5	Z	19
M	10	1	15.5
N	10.5	2	16.5

NO.2	
PART NO	vigor
4	250±30
5	350±50

NO.3	
PART NO	MATERIAL/QTY
S	SUS/1PC
C	C5210/1PC
D	SUS/2PCS
F	C5210/2PCS

NO.4-NO.5	
PART NO	NOTE
01~99	SERIAL NUMBER

⑥	Waterproof Silicone	—	1	Silica gel	—	—
⑤	Terminal	—	4	Brass(0.3t)	Plating silver	—
④	Contact	—	1	F.Ag/C5210	—	—
③	Base	—	1	Nylon	Black	—
②	Cover	—	1	Nylon	—	—
①	Keystoke	—	1	Nylon	Black	—
ITEM	PART NAME	TER'NO.	QTY.	MATERIAL	FINISHING	REMARK

APPROVALS: DRAWN: J.X.Zhang, DATE: 2013/7/17

深圳市裕诚电子有限公司
SHENZHEN YUCHENG ELECTRONICS CO., LTD

CHECKED: WEBSITE: www.ycelectron.com

APPROVALS: PART NO.: M2-1821A

TOLERANCES ARE: 30~100: ±0.30, 10~30: ±0.20, 5~10: ±0.15, ~5: ±0.10. ANGLE: ±2'. UNIT: mm. SCALE: 1:1. PROJ: [Symbol]. DRAWING NO.: SHEET 1 OF 1.

ECN NO.	REV.	DATE.	DESCRIPTION.	CHANGE.	CHECK.	APPRO.
—	A	—	NEW	—	—	—