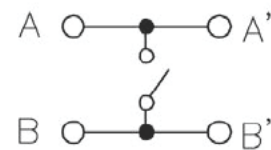
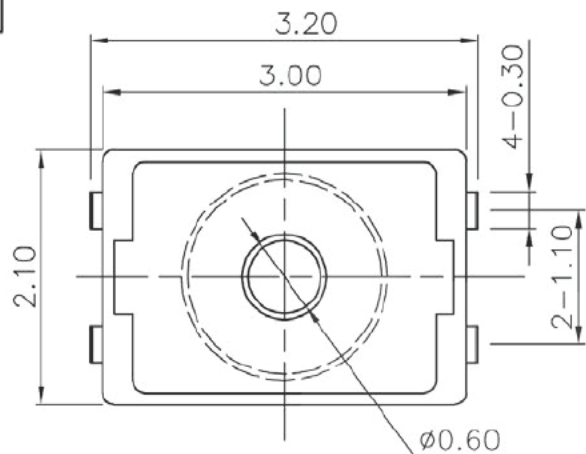
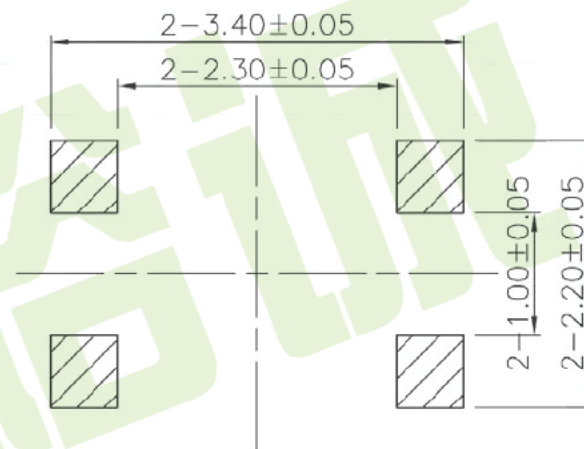
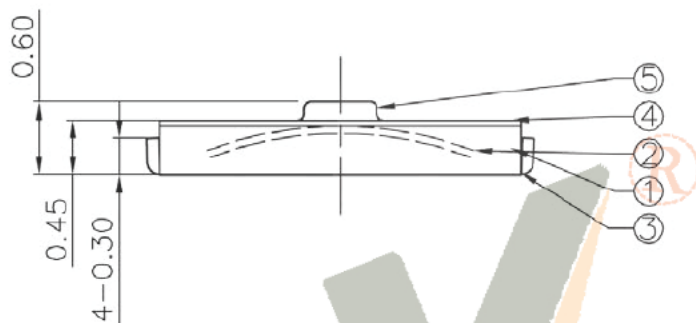


ROHS



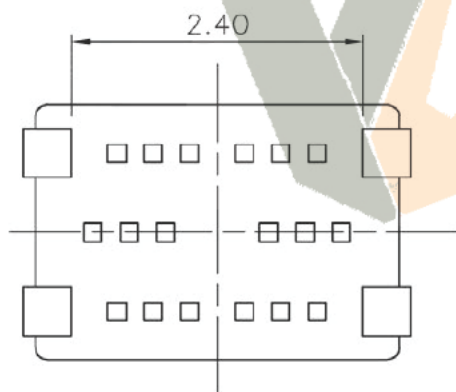
Circuit Diagram

NO.1	
PART NO	vigor
3	180±30
5	350±30



PCB Layout (Pattern Side)

NO.2-NO.3	
PART NO	NOTE
01~99	SERIAL NUMBER



Typical Specifications :
 1. Rating : DC 12V 50mA
 2. Life:500,000 Cycles Min.
 3. Travel:0.15±0.05mm

⑤	Knob	—	1	PET	Black	—
④	Dust cover	—	1	KAPTON FILM	Yellow	—
③	Terminal	—	4	Phosphor Bronze	Plating silver	—
②	Contact	—	2	F.Ag/SUS	Plating silver	—
①	Base	—	1	Nylon	Black	—
ITEM	PART NAME	TER'NO.	QTY.	MATERIAL	FINISHING	REMARK

APPROVALS		DATE	深圳市裕诚电子有限公司 SHENZHEN YUCHENG ELECTRONICS CO.,LTD											
DRAWN	XU QI FENG	2014.11.19	WEBSITE: www.ycelectron.com											
CHECKED			PART NO. M2-3958D											
APPROVALS			SCALE: 1:1											
TOLERANCES ARE		<table border="1"> <tr> <td>30~120</td> <td>±0.30</td> </tr> <tr> <td>10~30</td> <td>±0.20</td> </tr> <tr> <td>5~10</td> <td>±0.15</td> </tr> <tr> <td>~ 5</td> <td>±0.10</td> </tr> </table>	30~120	±0.30	10~30	±0.20	5~10	±0.15	~ 5	±0.10	ANGLE	UNIT: mm	SCALE: 1:1	PROJ:
30~120	±0.30													
10~30	±0.20													
5~10	±0.15													
~ 5	±0.10													
ECN NO.	REV.	DATE.	DESCRIPTION.	CHANGE.	CHECK.	APPRO.	DRAWING NO.	SHEET 1 OF 1						

ECN NO.	REV.	DATE.	DESCRIPTION.	CHANGE.	CHECK.	APPRO.
	A		NEW			