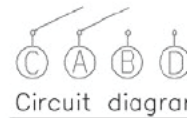
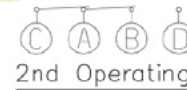
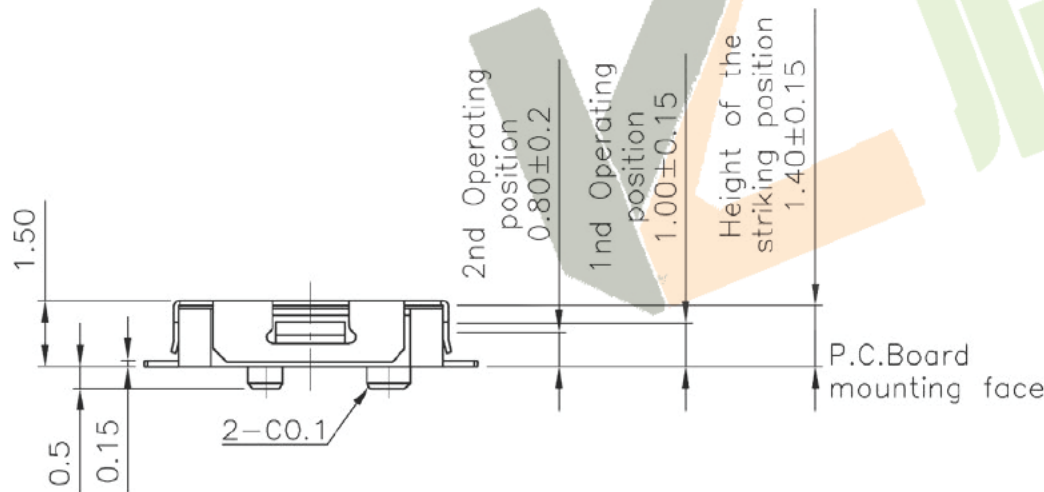


PCB Layout(Pattern side)



Circuit Diagram

Note:
1. Operating force: 1st 100±50gf
2st 260±50gf

NO.1-NO.2	
PART NO	NOTE
01~99	SERIAL NUMBER

ITEM	PART NAME	TER'NO.	QTY.	MATERIAL	FINISHING	REMARK
⑤	Dust Cover	—	1	Kapton Film	Yellow	—
④	Terminal	—	4	Copper	Plating silver	—
③	Contact	—	1	F.Ag/SUS	Plating silver	—
②	Base	—	1	LCP	Black	—
①	Cover	—	1	SUS	Natural	—

APPROVALS		DATE		深圳市裕诚电子有限公司		
DRAWN	J.X.Zhang	2014/1/6		SHENZHEN YUCHENG ELECTRONICS CO.,LTD		
CHECKED				WEBSITE	www.ycelectron.com	
APPROVALS				PART NO.	M2-3983D	
TOLERANCES ARE		30~120	±0.30	ANGLE	UNIT: mm	SCALE: 1:1
		10~30	±0.20		DRAWING NO.	PROJ:
		5~10	±0.15	±2'		SHEET 1 OF 1
		~ 5	±0.10			

ECN NO.	REV.	DATE.	DESCRIPTION.	CHANGE.	CHECK.	APPRO.
	A		NEW			