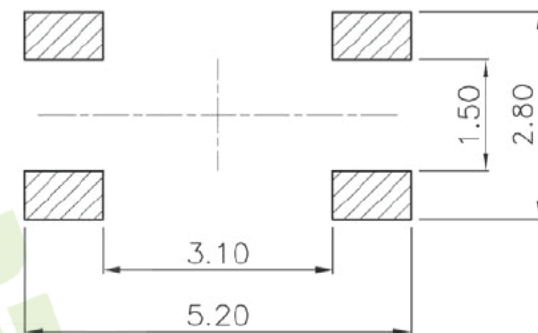
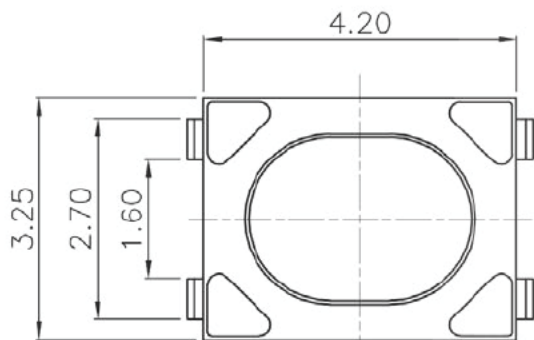
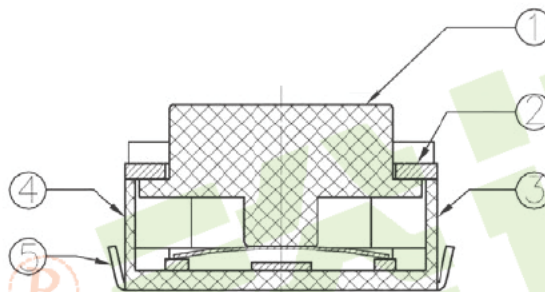


Circuit diagram



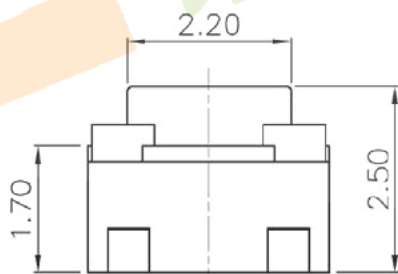
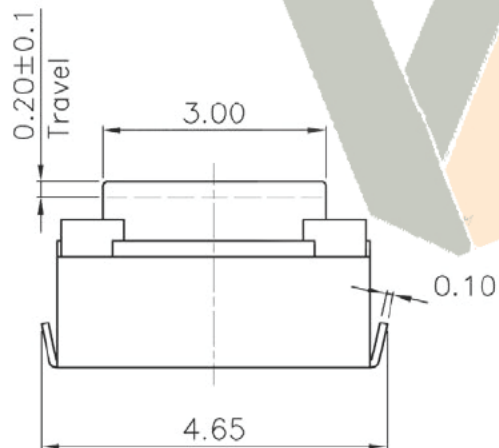
PCB Layout(Pattern Side)



NO.1	
PART NO	VIGOR
1	90±30
3	180±30
4	250±30

NO.2	
PART NO	MATERIAL/QTY
S	SUS/1PC
D	SUS/2PCS

NO.3-NO.4	
PART NO	NOTE
01~99	SERIAL NUMBER



ITEM	PART NAME	TER'NO.	QTY.	MATERIAL	FINISHING	REMARK
⑤	Terminal	—	4	Phosphor Bronze	Plating silver	—
④	Contact	—	1	F.Ag/SUS	Plating silver	—
③	Base	—	1	LCP	White	—
②	Cover	—	1	SUS	Natural	—
①	Keystoke	—	1	LCP	White	—

APPROVALS: DRAWN: J.X.Zhang, DATE: 2013/6/24

深圳市裕诚电子有限公司  
SHENZHEN YUCEHENG ELECTRONICS CO.,LTD

CHECKED: WEBSITE: www.ycelectron.com  
APPROVALS: PART NO.: M2-1813P

TOLERANCES ARE: 30~以下: ±0.30, 10~30: ±0.20, 5~10: ±0.15, ~5: ±0.10. ANGLE: ±2'. UNIT: mm. SCALE: 1:1. PROJ: [Symbol]. DRAWING NO.: SHEET 1 OF 1

ECN NO.	REV.	DATE.	DESCRIPTION.	CHANGE.	CHECK.	APPRO.
—	A	—	NEW	—	—	—