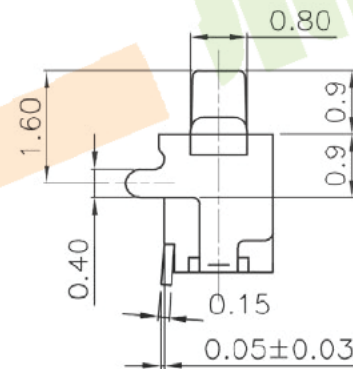
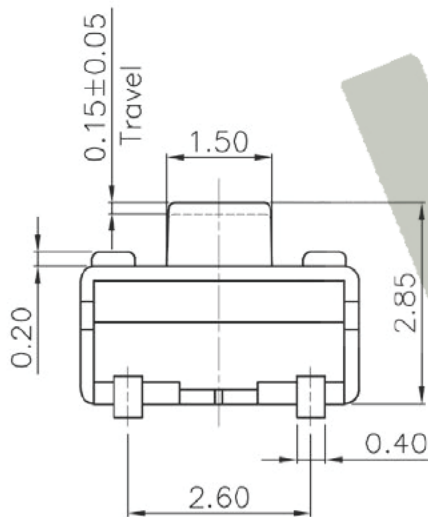


Circuit Diagram

PCB Layout (Pattern side)



NO.2

PART NO	MATERIAL/QTY
S	SUS/1PC
D	SUS/2PCS

NO.1

PART NO	vigor
1	90±30
2	130±30
3	180±30
4	250±30
5	350±50

NO.3-NO.4

PART NO	NOTE
01~99	SERIAL NUMBER

⑥	Cover 2	—	1	LCP	White	—
⑤	Terminal	—	2	Phosphor Bronze	Plating silver	—
④	Contact	—	2	SUS	Plating silver	—
③	Base	—	1	LCP	White	—
②	Cover 1	—	1	Brass	Plating silver	—
①	Knob	—	1	LCP	Black	—
ITEM	PART NAME	TER'NO.	QTY.	MATERIAL	FINISHING	REMARK

APPROVALS

DATE

DRAWN

J.X.Zhang

2014/3/20

CHECKED

APPROVALS

TOLERANCES ARE

30~120 ±0.30

10~30 ±0.20

5~10 ±0.15

~ 5 ±0.10

ANGLE

±2'

UNIT: mm

DRAWING NO.

SCALE: 1:1

SHEET 1 OF 1

深圳市裕诚电子有限公司
SHENZHEN YUCHENG ELECTRONICS CO.,LTD

WEBSITE www.ycelectron.com

PART NO. **M2-1865D**

ECN NO.	REV.	DATE.	DESCRIPTION.	CHANGE.	CHECK.	APPRO.
—	A	—	NEW	—	—	—