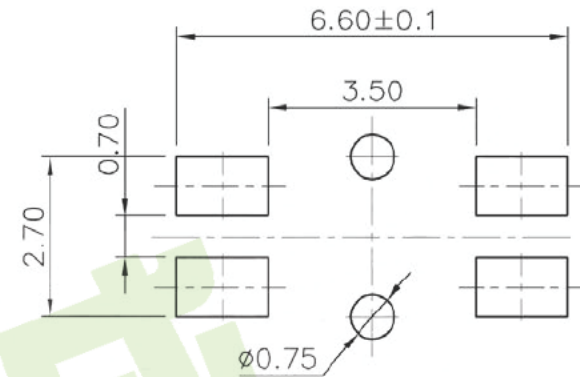
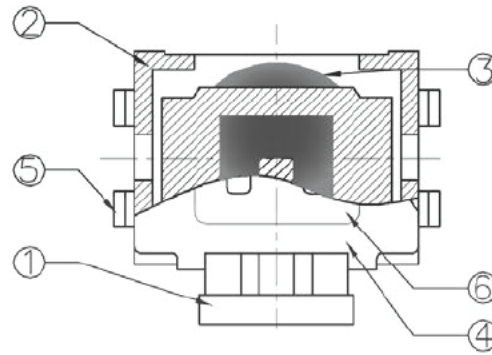
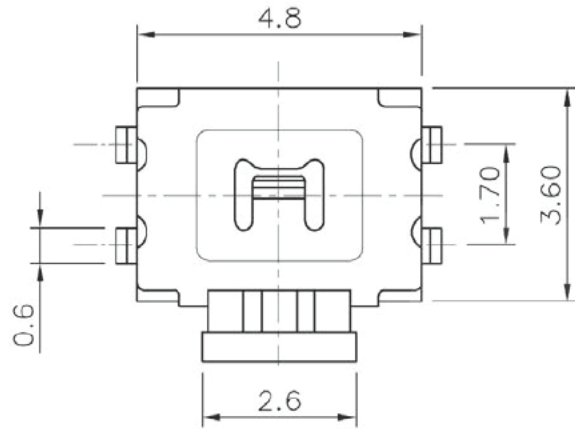
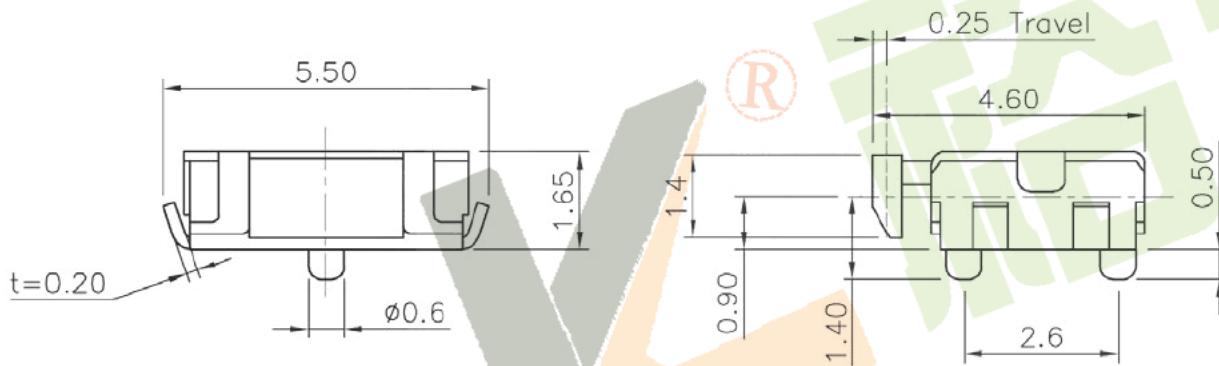


ROHS



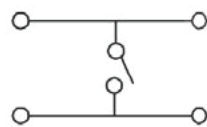
PCB Layout recommended



NO.1	
PART NO	vigor
2	130±30
3	160±30
4	250±30

NO.2	
PART NO	MATERIAL/qty.
S	SUS/1PC
D	SUS/2PCS

NO.3-NO.4	
PART NO	NOTE
01~99	SERIAL NUMBER



Circuit diagram

PART NO.	K2-1114UA
PART NO.	K2-1114UN

ITEM	PART NAME	TER'NO.	QTY.	MATERIAL	FINISHING	REMARK
⑥	Cover B	—	2	Pi Polimides	Yellow	——
⑤	Terminal	—	4	Phosphor Bronze	Ag-PLATED	——
④	Shell	—	1	SUS	Natural	——
③	Contact	—	1	SUS	Ag-PLATED	——
②	Base	—	1	Nylon	Black	——
①	Keystoke	—	1	Nylon	Black	——

APPROVALS: DRAWN: J.X.Zhang, DATE: 2013/7/15, 深圳市裕诚电子有限公司 SHENZHEN YUCHENG ELECTRONICS CO.,LTD

CHECKED: WEBSITE: www.ycelectron.com, APPROVALS: PART NO. M2-1857P

TOLERANCES ARE: 30~100: ±0.30, 10~30: ±0.20, 5~10: ±0.15, ~5: ±0.10, ANGLE: ±2', UNIT: mm, SCALE: 1:1, PROJ: DRAWING NO. SHEET 1 OF 1

ECN NO.	REV.	DATE.	DESCRIPTION.	CHANGE.	CHECK.	APPRO.
—	A	—	NEW	—	—	—