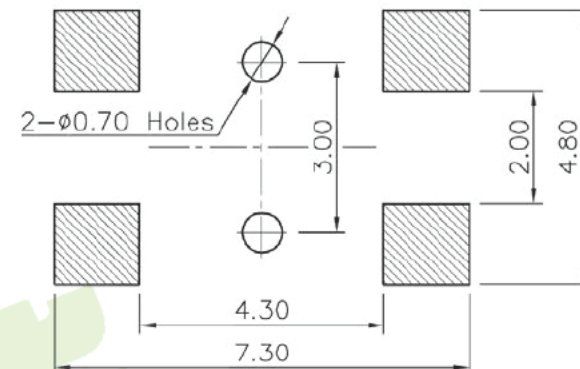
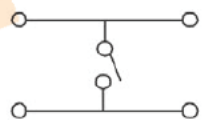


Circuit diagram



NO.1	
PART NO	vigor
2	130±30
3	160±30
4	250±30

NO.2	
PART NO	MATERIAL/QTY.
S	SUS/1PC
D	SUS/2PCS

NO.3-NO.4	
PART NO	NOTE
01~99	SERIAL NUMBER

PART NO.
K2-1113SA
K2-1113SN

ITEM	PART NAME	TER'NO.	QTY.	MATERIAL	FINISHING	REMARK
⑥	Dust cover	—	2	Kapton film	Yellow	—
⑤	Terminal	—	4	Phosphor Bronze	Ag-PLATED	—
④	Shell	—	1	Sheet Iron	Natural	—
③	Contact	—	1	Stainless Steel	Ag-PLATED	—
②	Base	—	1	LCP	self-colored	—
①	Keystoke	—	1	NYLON	Black	—

APPROVALS			DATE	深圳市裕诚电子有限公司 SHENZHEN YUCHENG ELECTRONICS CO.,LTD		
DRAWN	J.X.Zhang		2012/3/18	WEBSITE	www.ycelectron.com	
CHECKED				PART NO.	M2-1853D	
APPROVALS				TOLERANCES ARE	ANGLE	UNIT: mm
				30~12.1 ±0.30	±2'	SCALE: 1:1
				10~30 ±0.20		PROJ:
				5~10 ±0.15		DRAWING NO.
				~ 5 ±0.10		SHEET 1 OF 1

ECN NO.	REV.	DATE.	DESCRIPTION.	CHANGE.	CHECK.	APPRO.
	A		NEW			