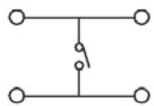
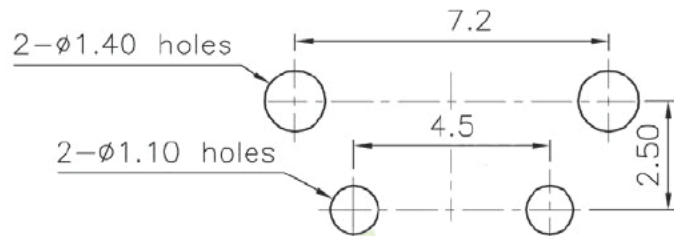
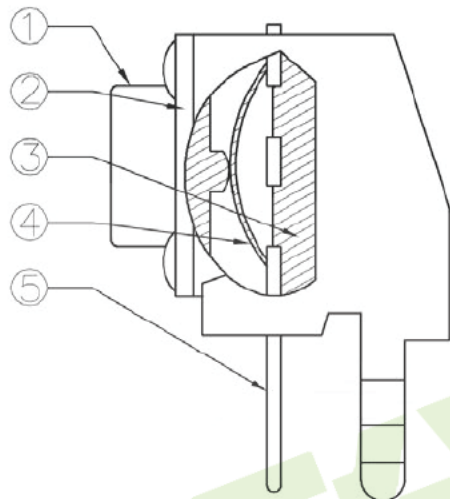
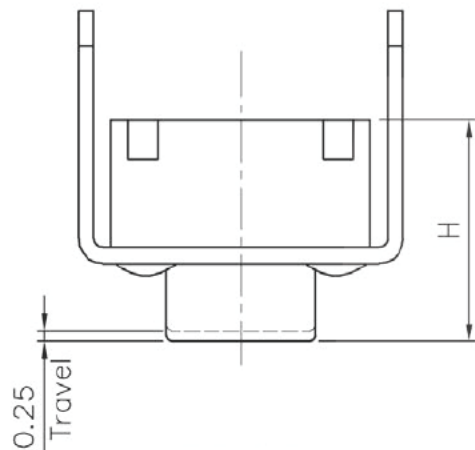


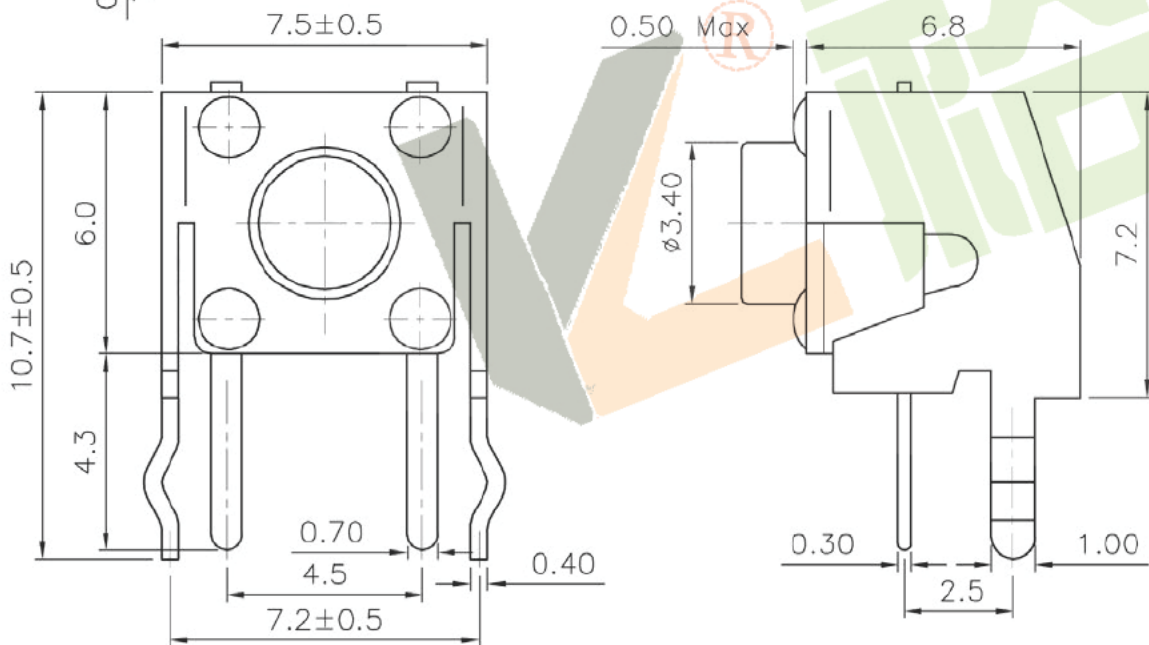
**ROHS**



Circuit Diagram



PCB Layout(Pattern side)



NO.2	
PART NO	vigor
1	90±30
2	130±30
3	180±30
4	250±30
5	350±50

NO.1			
PART NO	H	PART NO	H
A	4.3	O	11
B	4.5	P	11.5
C	5	Q	12
D	5.5	R	12.5
E	6	S	13
F	6.5	T	13.5
G	7	U	14
H	7.5	V	15
I	8	W	16
J	8.5	X	17
K	9	Y	18
L	9.5	Z	19
M	10	1	15.5
N	10.5		

NO.3	
PART NO	MATERIAL/QTY
S	SUS/1PC
C	C5210/1PC
D	SUS/2PCS
F	C5210/2PCS

NO.4-NO.5	
PART NO	NOTE
01~99	SERIAL NUMBER

⑤	Terminal	—	4	Brass(0.30t)	Plating silver	—
④	Contact	—	1	F.Ag/SUS	—	—
③	Base	—	1	Nylon	Black	—
②	Cover	—	1	SPCC	Plating Nickel	—
①	Keystoke	—	1	PA46	Black	—
ITEM	PART NAME	TER'NO.	QTY.	MATERIAL	FINISHING	REMARK

APPROVALS \_\_\_\_\_ DATE \_\_\_\_\_

DRAWN J.X.Zhang 2013/9/10

CHECKED \_\_\_\_\_

APPROVALS \_\_\_\_\_

WEBSITE [www.ycelectron.com](http://www.ycelectron.com)

PART NO. M2-1882A

TOLERANCES ARE: 30~12: ±0.30, 10~30: ±0.20, 5~10: ±0.15, ~5: ±0.10

ANGLE ±2'

UNIT: mm SCALE: 1:1 PROJ:

DRAWING NO. \_\_\_\_\_ SHEET 1 OF 1

ECN NO.	REV.	DATE.	DESCRIPTION.	CHANGE.	CHECK.	APPRO.
—	A	—	NEW	—	—	—

深圳市裕诚电子有限公司  
SHENZHEN YUCHENG ELECTRONICS CO.,LTD