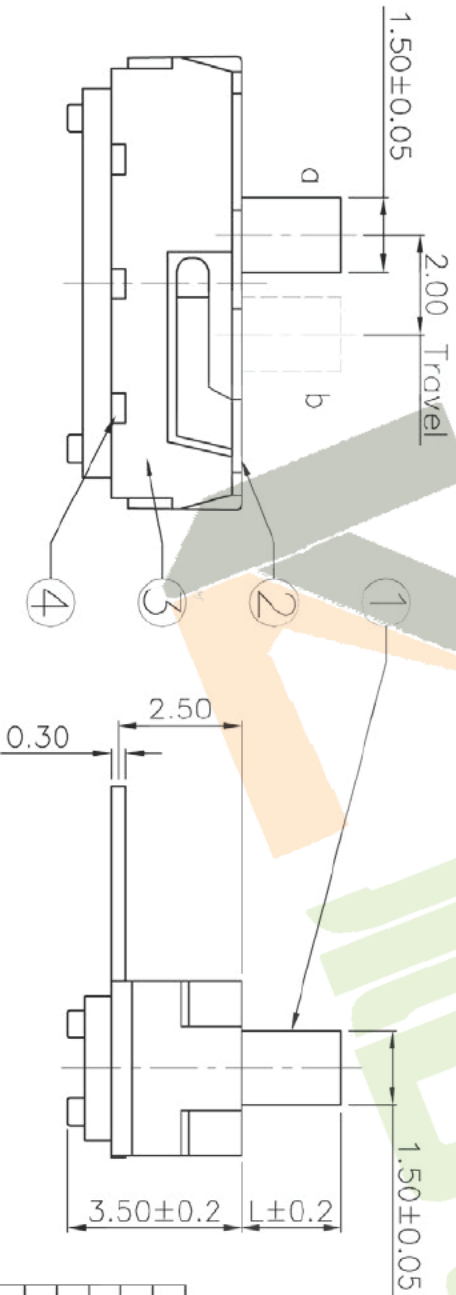


CIRCUIT DIAGRAM

HOLE LAYOUT



PART NO.	L	Operating force
K3-1260D-F1	2	190±50gf
K3-1260D-K1	3	
K3-1260D-L1	4	
K3-1260D-M1	7	

ITEM	PART NAME	TER'NO.	QTY.	MATERIAL	FINISHING	REMARK
⑤	Contact Spring	—	1	Beryllium copper	Ag Plated	—
④	Terminal	—	3	Brass Strip	Ag Plated	—
③	Base	—	1	NYLON	Black	—
②	Cover	—	1	SUS	Natural	—
①	KNOB	—	1	NYLON	Black	—

APPROVALS	DATE
DRAWN J.X.Zhong	2014/1/22

深圳市裕诚电子有限公司  
 SHENZHEN YUCHENG ELECTRONICS CO., LTD

ECN NO.	REV.	DATE.	DESCRIPTION.	CHANGE.	CHECK.	APPRO.
	A		NEW			

APPROVALS	PART NO.	WEBSITE	SCALE:	PROJ.
	M3-1516S	www.ycelectron.com	1:1	YCE

TOLERANCES ARE	ANGLE	UNIT:	DRAWING NO.	SHEET
30~0.15	±Z	mm		1 OF 1