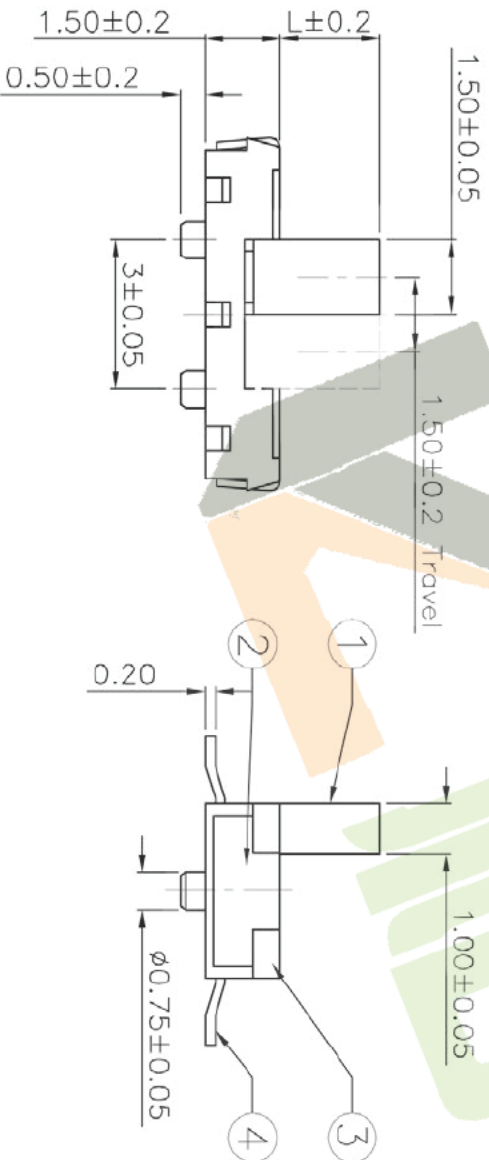
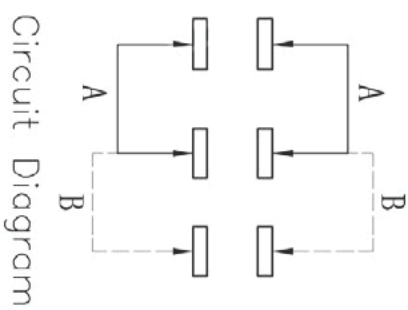


PCB Layout(Pattern side)



PART NO.	L	Operating force
K3-1390S-D2	1	150±50gf
K3-1390S-E2	1.5	
K3-1390S-F2	2	

ITEM	PART NAME	TER'NO.	QTY.	MATERIAL	FINISHING	REMARK
⑤	Contact Spring	—	2	Beryllium copper	Ag Plated	—
④	Terminal	—	6	Brass Strip	Ag Plated	—
③	Base	—	1	NYLON	Black	—
②	Cover	—	1	SUS	Natural	—
①	KNOB	—	1	NYLON	White	—

APPROVALS		DATE
DRAWN	J.X.Zhong	2013/9/28

CHECKED		WEBSITE	
APPROVALS		www.yceletron.com	
TOLERANCES ARE		PART NO.	M3-1526S
30~0.15	±0.30	UNIT: mm	SCALE: 1:1
10~0.30	±0.20	DRAWING NO.	PROJ:
5~10	±0.15		SHEET 1 OF 1
~5	±0.10		

ECN NO.	REV.	DATE	DESCRIPTION	CHANGE.	CHECK.	APPRO.
	A		NEW			

深圳市裕诚电子有限公司
SHENZHEN YUCHENG ELECTRONICS CO., LTD