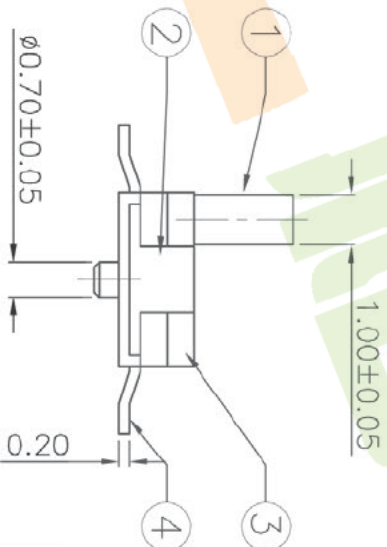
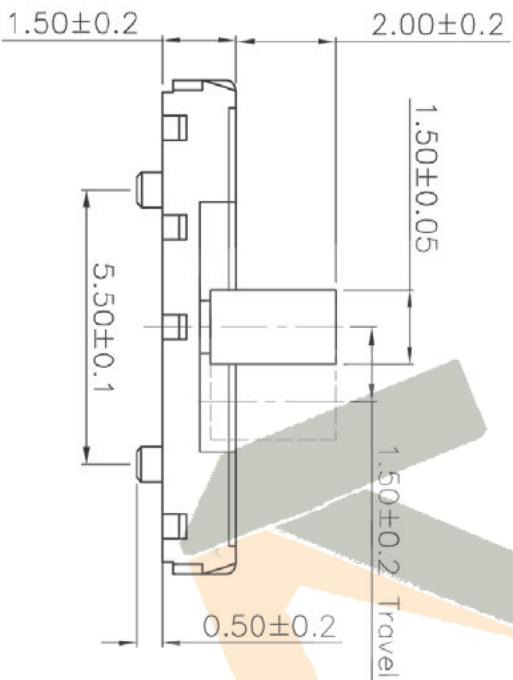


Circuit Diagram



PCB Layout(Pattern side)

PART NO.	L	Operating force
K3-1400S-D2	1	200±50gf
K3-1400S-F2	2	

⑤	Contact Spring	—	2	Beryllium copper	Ag Plated	—
④	Terminal	—	8	Brass Strip	Ag Plated	—
③	Base	—	1	NYLON	Black	—
②	Cover	—	1	SUS	Natural	—
①	Knob	—	1	NYLON	White	—

APPROVALS		DATE
DRAWN	J.X.Zhong	2013/9/28

ECN NO.	REV.	DATE.	DESCRIPTION.	CHANGE.	CHECK.	APPRO.
	A		NEW			
TOLERANCES ARE: 30~100 μm ±0.30, 10~30 μm ±0.20, 5~10 μm ±0.15, ~5 μm ±0.10, ANGLE ±2', UNIT: mm, SCALE: 1:1, PROJ:  , SHEET 1 OF 1						
APPROVALS CHECKED APPROVALS				WEBSITE: <a href="http://www.ycelectron.com">www.ycelectron.com</a> PART NO.: M3-1532S		


 深圳市裕诚电子有限公司  
 SHENZHEN YUCHENG ELECTRONICS CO., LTD