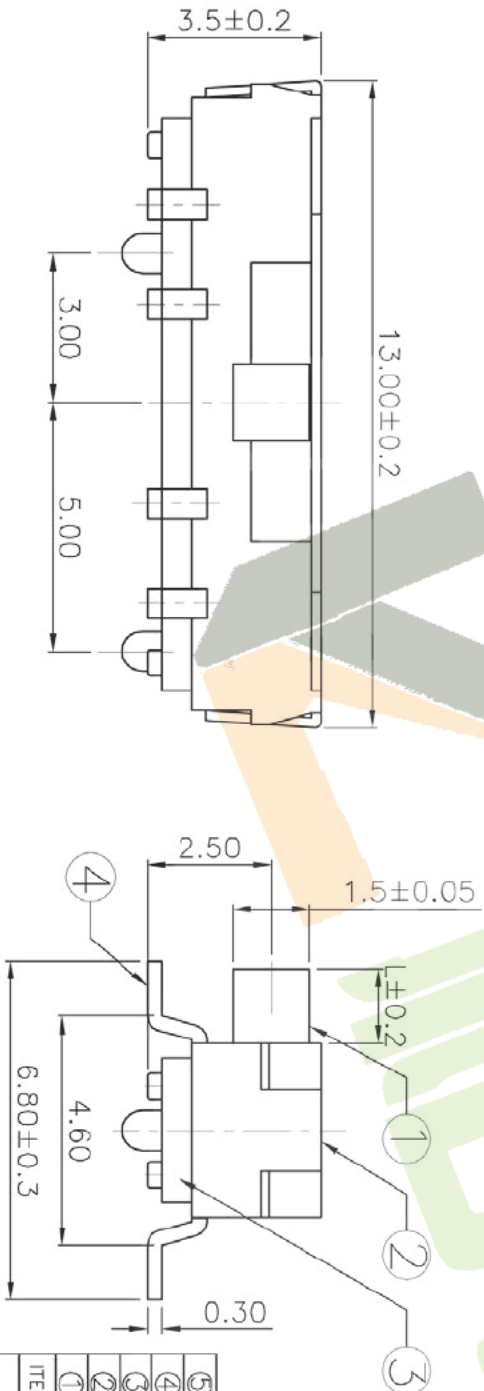


Circuit Diagram

PCB Layout(Pattern side)



TYPE	PART NO.	L	Operating force
	K3-2346S-F4	2	250±100gf
	K3-2346S-K4	3	
	K3-2346S-L4	4	
	K3-2346S-F4	2	
	K3-2346S-K2	3	250±100gf
	K3-2346S-L2	4	

ITEM	PART NAME	TER'NO.	QTY.	MATERIAL	FINISHING	REMARK
⑤	Contact Spring	—	2	Beryllium copper	Ag Plated	—
④	Terminal	—	8	Brass Strip	Ag Plated	—
③	Base	—	1	NYLON	Black	—
②	Cover	—	1	SUS	Natural	—
①	Knob	—	1	NYLON	White	—

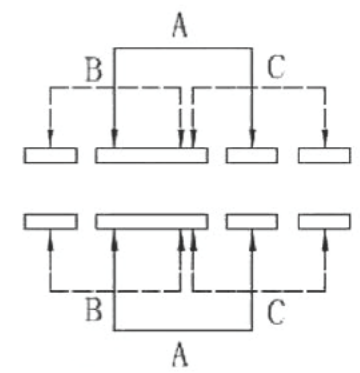
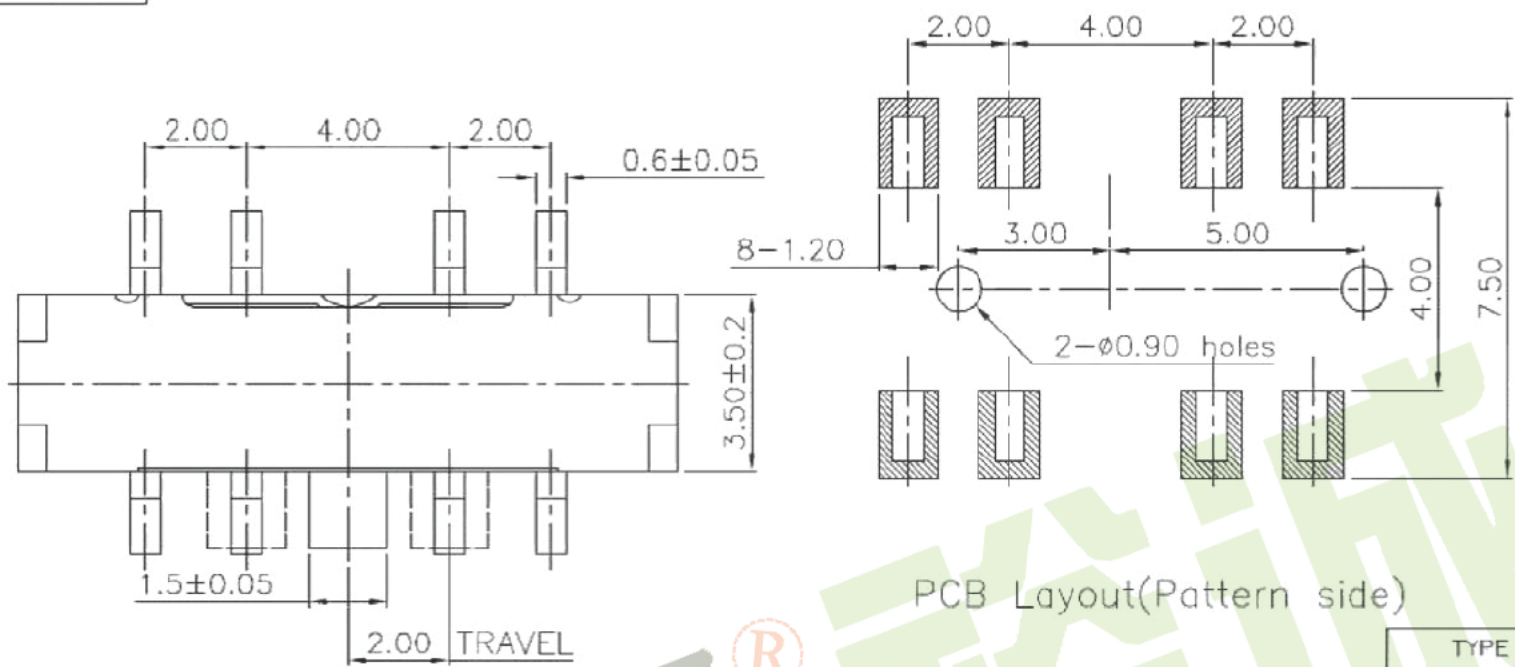
APPROVALS	DATE
DRAWN	2014/9/4
CHECKED	
APPROVALS	

TOLERANCES ARE		ANGLE	UNIT:	SCALE:	PROJ.
30~0.15	±0.30	±Z	mm	1:1	1st
10~0.30	±0.20				
5~10	±0.15				
~5	±0.10				

ECN NO.	REV.	DATE.	DESCRIPTION.	CHANGE.	CHECK.	APPRO.
	A		NEW			

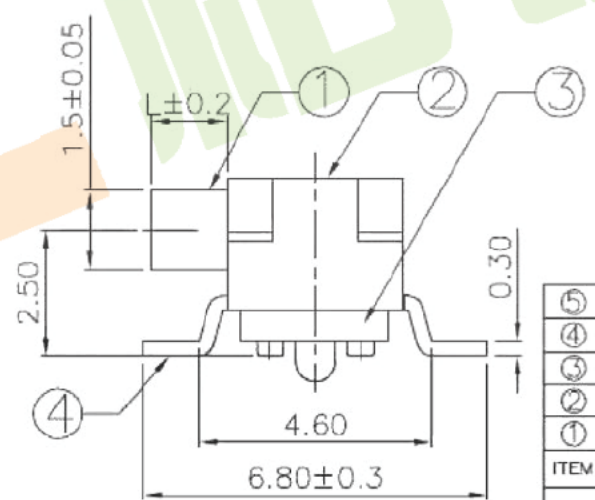
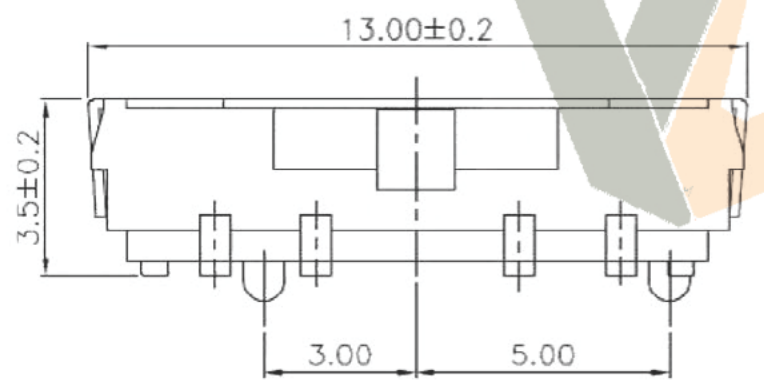
深圳市裕诚电子有限公司
SHENZHEN YUCHENG ELECTRONICS CO., LTD

WEBSITE: www.yucelectron.com
PART NO.: M3-15585



Circuit Diagram

PCB Layout (Pattern side)



TYPE	PART NO.	L	Operating force
	K3-2346S-F□	2	250±100gf
	K3-2346S-K□	3	
	K3-2346S-L□	4	
	K3-2347S-F□	2	250±100gf
	K3-2347S-K□	3	
	K3-2347S-L□	4	

□:KNOB 1:Black 2:White

ITEM	PART NAME	TER'NO.	QTY.	MATERIAL	FINISHING	REMARK
⑤	Contact Spring	—	2	Beryllium copper	Ag Plated	—
④	Terminal	—	8	Brass Strip	Ag Plated	—
③	Base	—	1	NYLON	Black	—
②	Cover	—	1	SUS	Natural	—
①	KNOB	—	1	NYLON	White	—

APPROVALS		DATE	深圳市裕诚电子有限公司 SHENZHEN YUCHENG ELECTRONICS CO., LTD				
DRAWN	xu qi feng	2014/9/17	WEBSITE	www.ycelectron.com			
CHECKED			PART NO.	M3-1558S			
APPROVALS			TOLERANCES ARE	30~101 10~30 5~10 ~5	±0.30 ±0.20 ±0.15 ±0.10	ANGLE ±2°	
ECN NO.		REV.	DATE.	DESCRIPTION.	CHANGE.	CHECK.	APPRO.
TOLERANCES ARE		UNIT: mm	SCALE: 1:1	DRAWING NO.	PROJECT		SHEET 1 OF 1

ECN NO.	REV.	DATE.	DESCRIPTION.	CHANGE.	CHECK.	APPRO.
---------	------	-------	--------------	---------	--------	--------