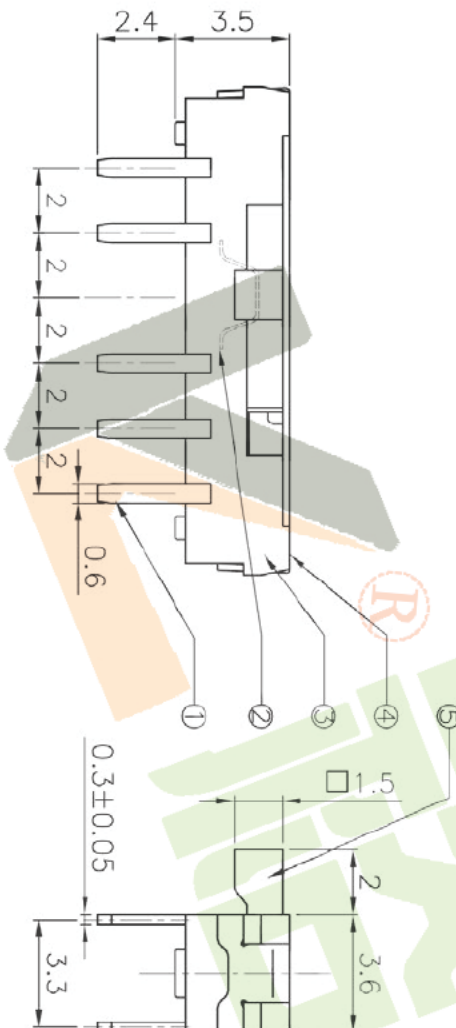
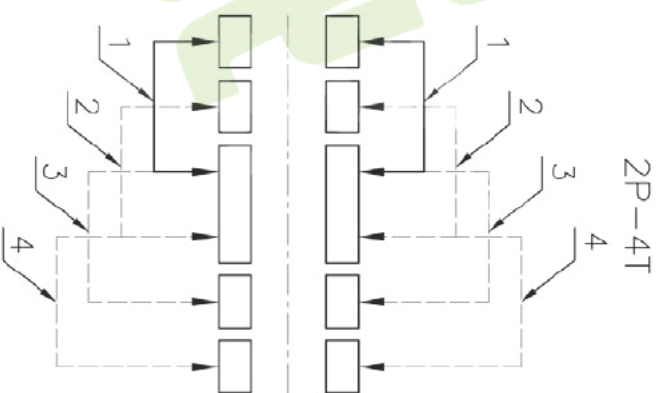


P.C.B layout



NOTE:
1. Operating force: 200±50gf



Schematic(Shorting)

ITEM	PART NAME	TER'NO.	QTY.	MATERIAL	FINISHING	REMARK
⑤	Knob	—	1	NYLON	Back	—
④	Cover	—	1	SUS	—	—
③	Base	—	1	PA66	Back	—
②	Contact clip	—	2	PBS C5210R-EH	Ag Clad	—
①	Terminia	—	10	Bross Strip	Ag Plated	—

APPROVALS	DATE	APPROVALS	DATE
DRAWN	J.X.Zhong	2013/12/16	
CHECKED			
APPROVALS			


 深圳市裕诚电子有限公司
 SHENZHEN YUCHENG ELECTRONICS CO., LTD.
 WEBSITE www.ycelectron.com

APPROVALS	PART NO.	M3-2576S
TOLERANCES ARE	UNIT: mm	SCALE: 1:1
30~0.1±	±0.30	ANGLE
10~0.20	±0.20	°
5~0.10	±0.15	±2'
~ 5	±0.10	DRAWING NO.

ECN NO.	REV.	DATE.	DESCRIPTION.	CHANGE.	CHECK.	APPRO.
	A		NEW			