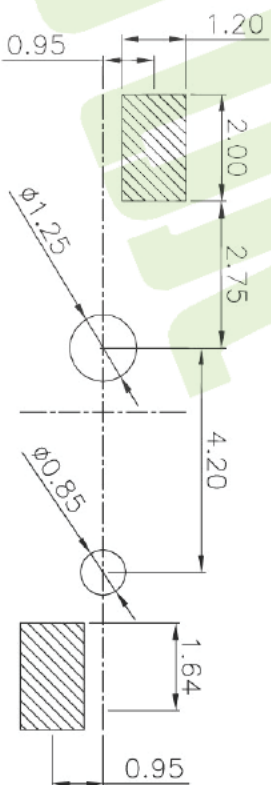
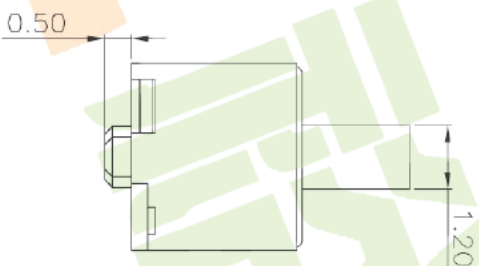
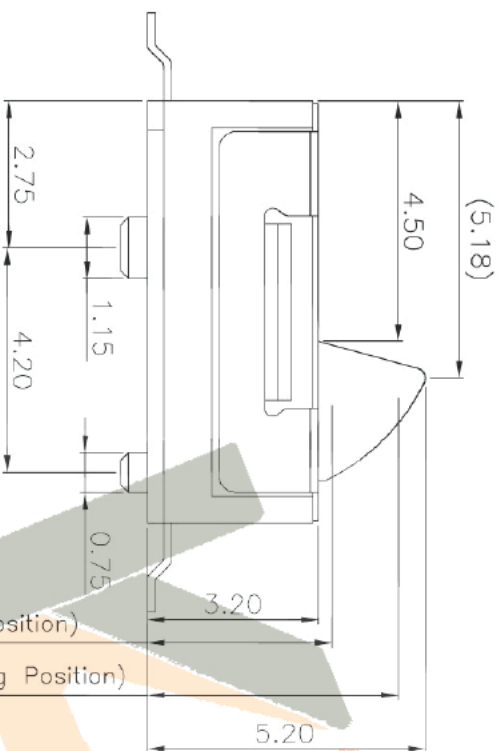
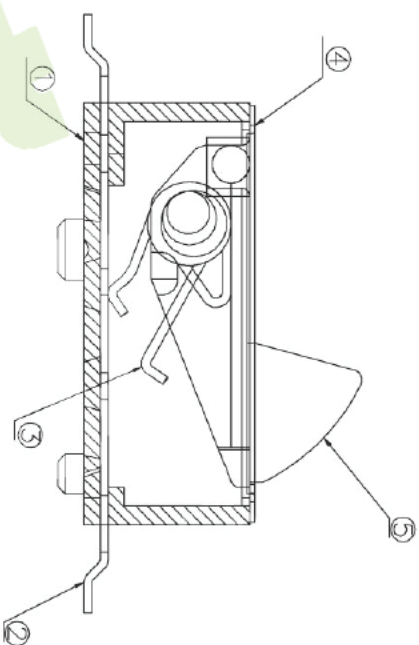


Circuit Diagram



PCB Layout(Pattern side)

Typical Specifications

1. Rating : DC 12V 50mA
2. Contact Resistance: $\leq 100m\Omega$
3. Insulation Resistance: $\geq 100m\Omega$ DC500V
4. Operating Temperature Range: $-25^{\circ}C+80^{\circ}C$
5. Ambient Humidity Used: $\leq 85\%RH$
6. Operating Force : $30gf \pm 20gf$
7. Life : 100,000 Cycles

ITEM	PART NAME	TER'NO.	QTY.	MATERIAL	FINISHING	REMARK
⑤	Knob	—	1	NYLON	Black	—
④	Cover	—	1	SUS	Cl	—
③	Contact Spring	—	1	Phosphor Bronze	Ag Plated	—
②	Terminal	—	4	Phosphor Bronze	Ag Plated	—
①	Base	—	1	LCP	Black	—

APPROVALS	DATE
DRAWN JKUN.LU	2015.03.17

CHECKED _____

APPROVALS _____

TOLERANCES ARE		ANGLE	UNIT: mm	SCALE: 1:1	PROJ:
30~42L	± 0.30	$\pm 2^{\circ}$	DRAWING NO. _____	SHEET 1 OF 1	—
10~30	± 0.20				
5~10	± 0.15				

ECN NO.	REV.	DATE.	DESCRIPTION.	CHANGE.	CHECK.	APPRO.
	A		NEW			

WEBSITE www.ycelelectron.com

PART NO. M5-1618D

SHENZHEN YICHENG ELECTRONICS CO., LTD

深圳市裕诚电子有限公司