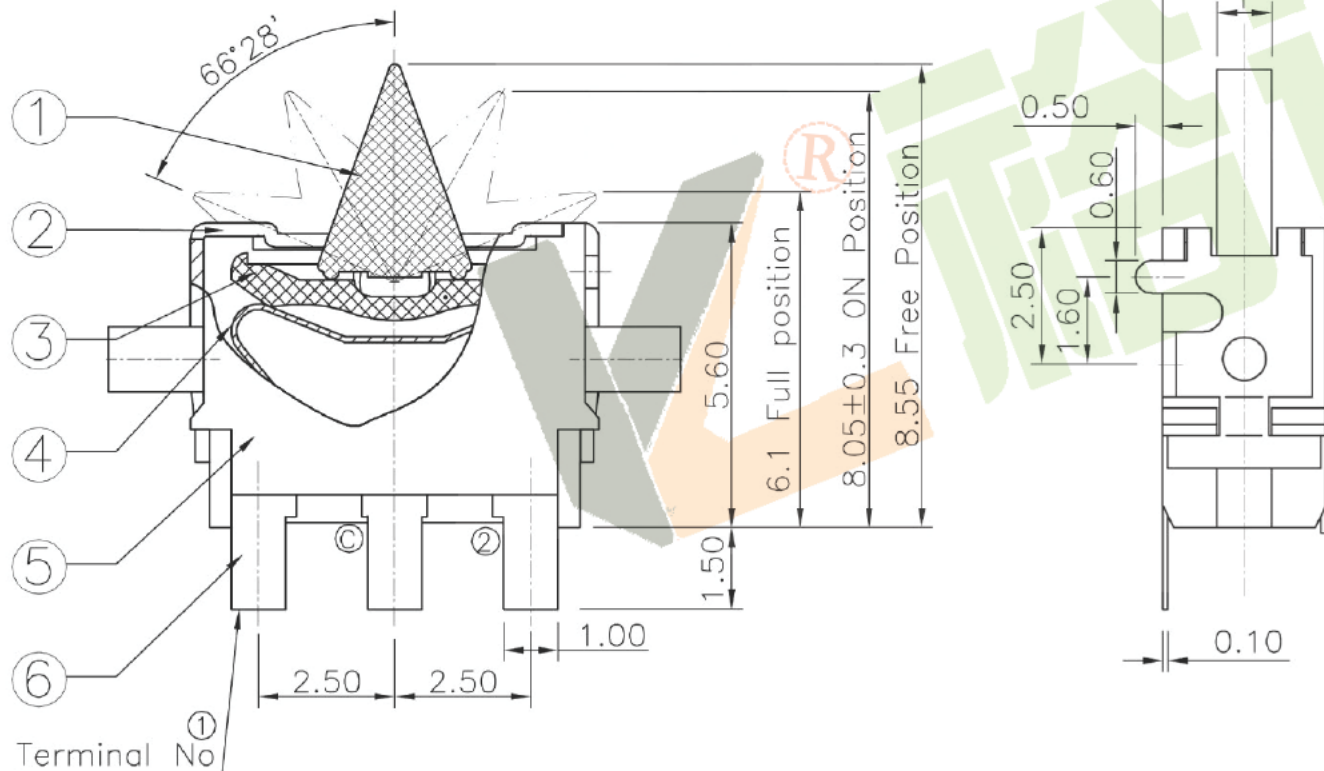
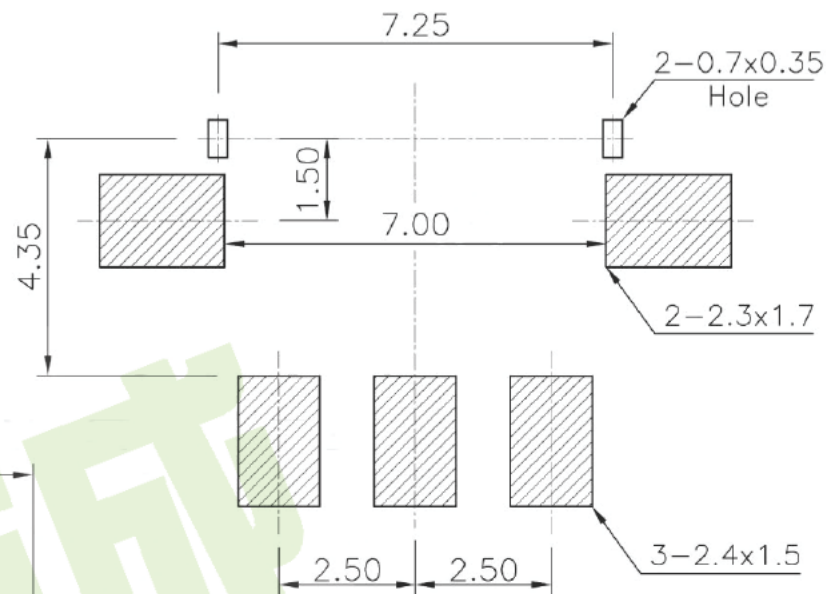
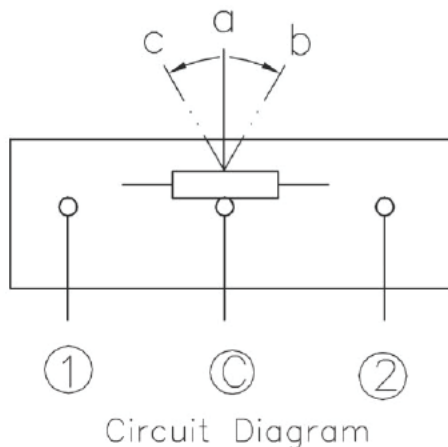
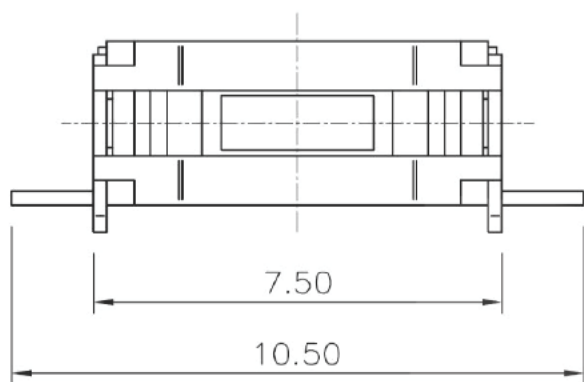


ROHS



PCB Layout (Pattern side)

NOTE:
Operating Force: 40gf Max

| ⑥ | Terminal | — | 3 | Phosphor Bronze | Ag Plated | — |
|------|----------------|---------|------|-----------------|-----------|--------|
| ⑤ | Housing | — | 1 | PA46 | Black | — |
| ④ | Contact Spring | — | 1 | Be Alloy | Ag Plated | — |
| ③ | Frisket | — | 1 | PA46 | Black | — |
| ② | Cover | — | 1 | SUS | Natural | — |
| ① | Slider | — | 1 | PA46 | Black | — |
| ITEM | PART NAME | TER'NO. | QTY. | MATERIAL | FINISHING | REMARK |

| | | | | | | | | | | | | | | | | | | | |
|-----------|-----------|----------|----------|--|---|-------|-------|-------|----------|------------|-------|-------|-------|------|-------|-----|-------|-------------|--------------|
| APPROVALS | | DATE | | 深圳市裕诚电子有限公司 SHENZHEN YUCHENG ELECTRONICS CO., LTD | | | | | | | | | | | | | | | |
| DRAWN | J.X.Zhang | 2013/9/3 | | WEBSITE | www.ycelectron.com | | | | | | | | | | | | | | |
| CHECKED | | | | PART NO. | M5-1690D | | | | | | | | | | | | | | |
| APPROVALS | | | | TOLERANCES ARE | <table border="1"> <tr> <td>30~以下</td> <td>±0.30</td> <td rowspan="4">ANGLE</td> <td rowspan="4">UNIT: mm</td> <td rowspan="4">SCALE: 1:1</td> <td rowspan="4">PROJ: </td> </tr> <tr> <td>10~30</td> <td>±0.20</td> </tr> <tr> <td>5~10</td> <td>±0.15</td> </tr> <tr> <td>~ 5</td> <td>±0.10</td> </tr> </table> | 30~以下 | ±0.30 | ANGLE | UNIT: mm | SCALE: 1:1 | PROJ: | 10~30 | ±0.20 | 5~10 | ±0.15 | ~ 5 | ±0.10 | DRAWING NO. | SHEET 1 OF 1 |
| 30~以下 | ±0.30 | ANGLE | UNIT: mm | SCALE: 1:1 | PROJ: | | | | | | | | | | | | | | |
| 10~30 | ±0.20 | | | | | | | | | | | | | | | | | | |
| 5~10 | ±0.15 | | | | | | | | | | | | | | | | | | |
| ~ 5 | ±0.10 | | | | | | | | | | | | | | | | | | |

| | | | | | | |
|---------|------|-------|--------------|---------|--------|--------|
| ECN NO. | REV. | DATE. | DESCRIPTION. | CHANGE. | CHECK. | APPRO. |
| | A | | NEW | | | |