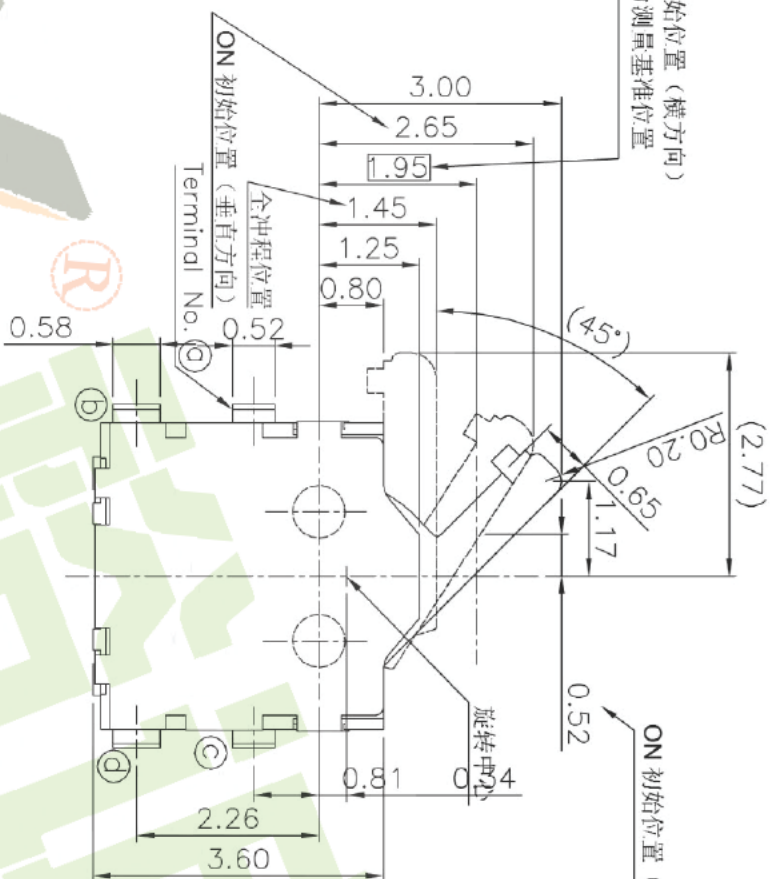
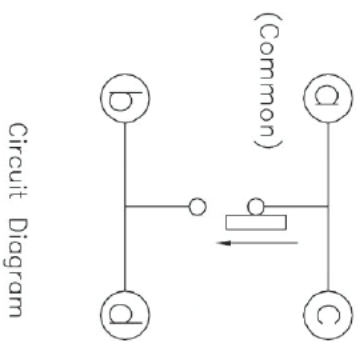


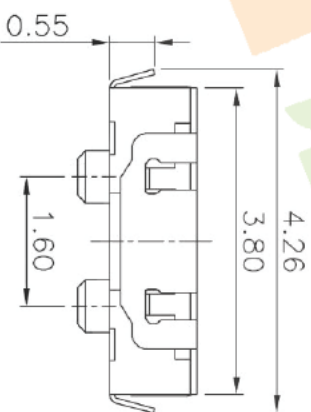
ON 初始位置 (横方向)  
动作力测量基准位置



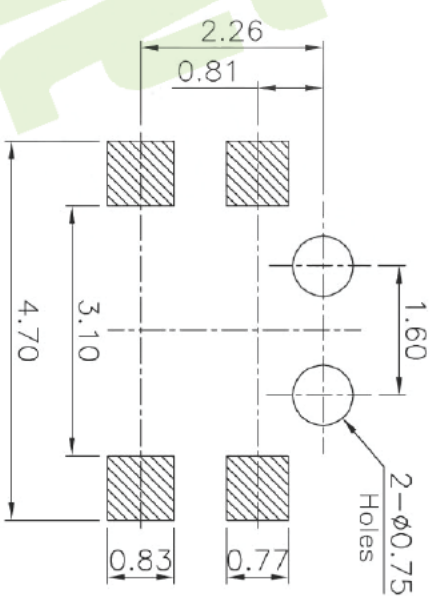
ON 初始位置 (横方向)



Circuit Diagram



PCB Layout(Pattern side)



NOTE:  
Rating: DC 12V 50mA  
Operating Force: 20±10gf  
Lifetime: 100,000 Cycles

PART NO.	K5-1619UA-02
	K5-1619UN-02

ITEM	PART NAME	TER.NO.	QTY.	MATERIAL	FINISHING	REMARK
⑤	Contact Spring	—	1	—	Ag Plated	—
④	Terminal	—	4	Phosphor Bronze	Ag Plated	—
③	Base	—	1	PA46	Black	—
②	Cover	—	1	SUS	Natural	—
①	Slider	—	1	PA46	Black	—

APPROVALS	DATE
DRAWN J.X.Zhang	2013/8/29

深圳市裕诚电子有限公司  
SHENZHEN YUCHENG ELECTRONICS CO., LTD

WEBSITE [www.ycelectron.com](http://www.ycelectron.com)

PART NO. M5-1637D

APPROVALS	SCALE: 1:1	PROJ.
CHECKED	UNIT: mm	PROJ. 1 OF 1
APPROVALS	DRAWING NO.	

ECN NO.	REV.	DATE.	DESCRIPTION.
	A		NEW

CHANGE.	CHECK.	APPRO.