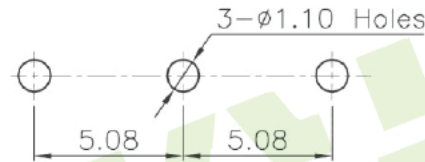
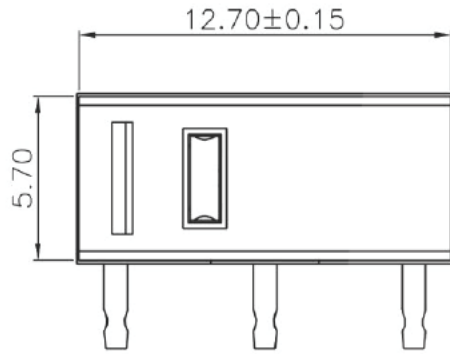
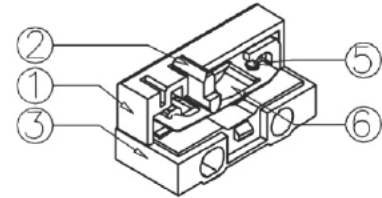
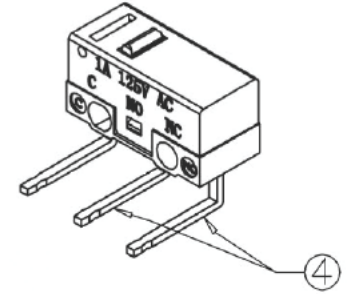
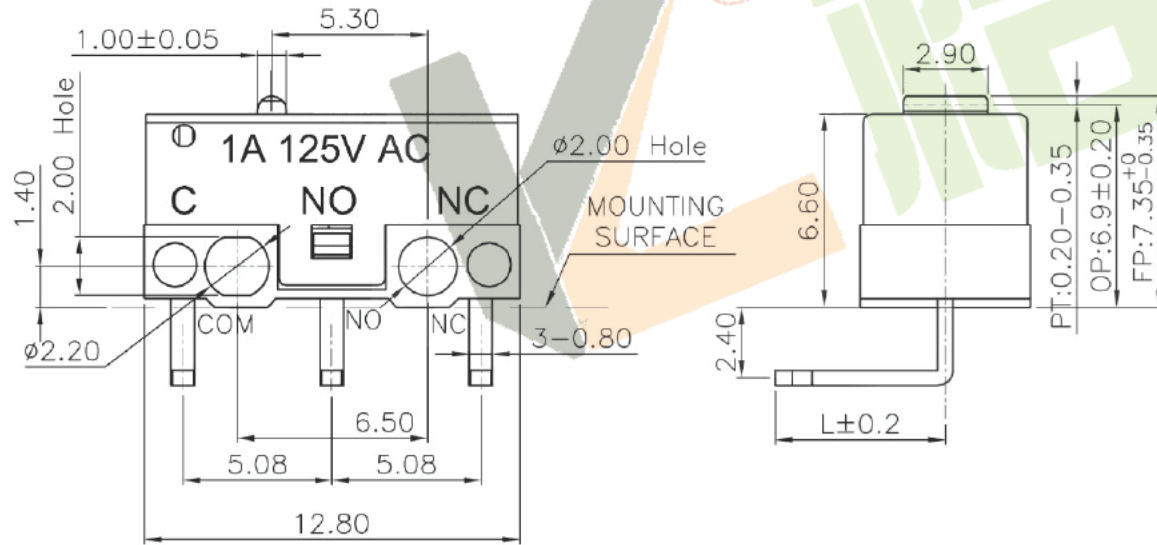


Circuit Diagram



P.C.B layout



NOTE:

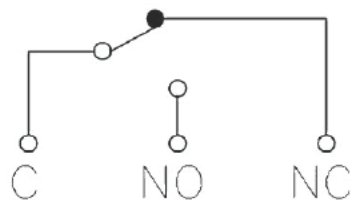
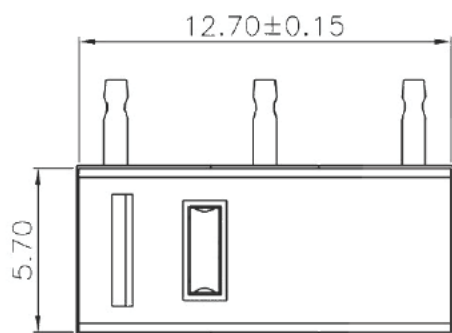
- 1.Rating:DC30V 0.1A
- 2.OP:6.90±0.20
- 3.Operating froce:70±15gf
- 4.Mechanical Life:1,000,000

L	PART NO.
5.80	K9-1267C01-L
13.25	K9-1267C02-L

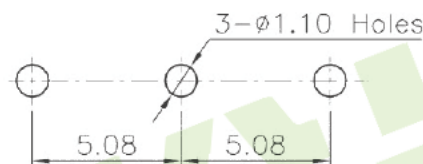
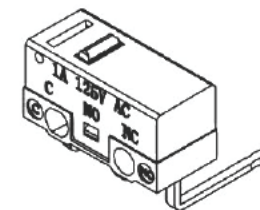
ITEM	PART NAME	TER'NO.	QTY.	MATERIAL	FINISHING	REMARK
⑥	Shrapnel	---	1	Beryllium Copper	---	---
⑤	Contact	---	1	Ag	---	---
④	Terminal	---	3	Brass(0.52t)	Plating silver	---
③	Housing	---	1	PBT	White	---
②	Knob	---	1	POM	White	---
①	Cover	---	1	PBT	Black	---

APPROVALS		DATE		深圳市裕诚电子有限公司 SHENZHEN YUCHENG ELECTRONICS CO.,LTD			
DRAWN	J.X.Zhang	2013/11/6		WEBSITE	www.ycelectron.com		
CHECKED				PART NO.	M7-1130Z		
APPROVALS				TOLERANCES ARE	30~ØL: ±0.30 10~30 ±0.20 5~10 ±0.15 ~ 5 ±0.10	ANGLE UNIT: mm SCALE: 1:1 PROJ:	
ECN NO.	REV.	DATE.	DESCRIPTION.	CHANGE.	CHECK.	APPRO.	DRAWING NO. SHEET 1 OF 1

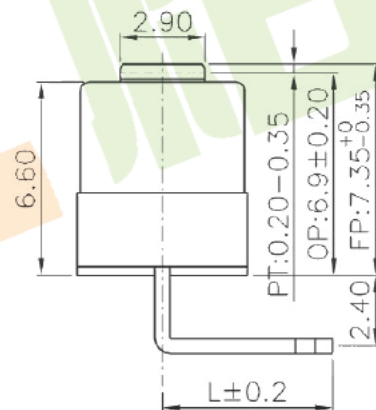
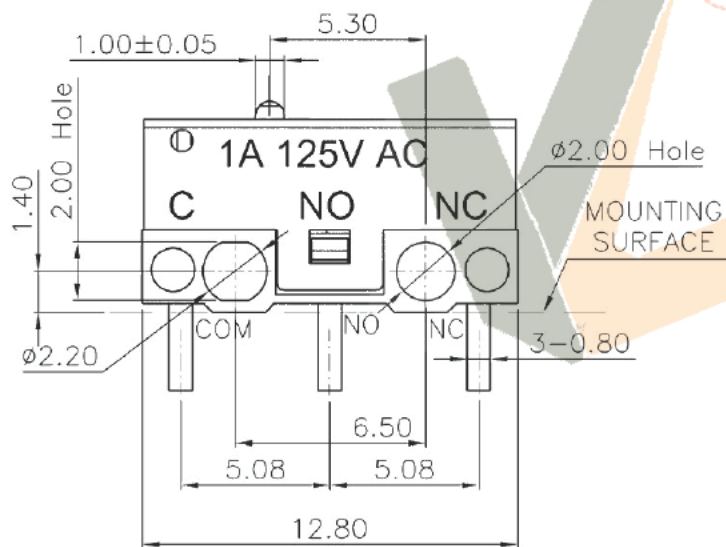
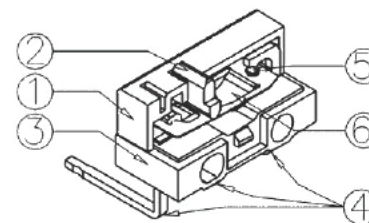
ECN NO.	REV.	DATE.	DESCRIPTION.	CHANGE.	CHECK.	APPRO.
	A		NEW			



Circuit Diagram



P.C.B layout



NOTE:

- 1.Rating:DC30V 0.1A
- 2.OP:6.90±0.20
- 3.Operating froce:70±15gf
- 4.Mechanical Life:1,000,000

L	PART NO.
5.80	K9-1267C01-R
13.25	K9-1267C02-R

ITEM	PART NAME	TER'NO.	QTY.	MATERIAL	FINISHING	REMARK
①	Shrapnel	—	1	Beryllium Copper	—	—
②	Contact	—	1	Ag	—	—
③	Terminal	—	3	Brass(0.52t)	Plating silver	—
④	Housing	—	1	PBT	White	—
⑤	Knob	—	1	POM	White	—
⑥	Cover	—	1	PBT	Black	—

APPROVALS		DATE		深圳市裕诚电子有限公司 SHENZHEN YUCHENG ELECTRONICS CO.,LTD		
DRAWN	J.X.Zhang	2013/11/6				
CHECKED				WEBSITE	www.ycelectron.com	
APPROVALS				PART NO.	M7-1130Z	

ECN NO.	REV.	DATE.	DESCRIPTION.	CHANGE.	CHECK.	APPRO.	TOLERANCES ARE	ANGLE	UNIT: mm	SCALE: 1:1	PROJ.	SHEET 1 OF 1
—	A	—	NEW	—	—	—	30~0.1 ±0.30 10~30 ±0.20 5~10 ±0.15 ~ 5 ±0.10	±2'				