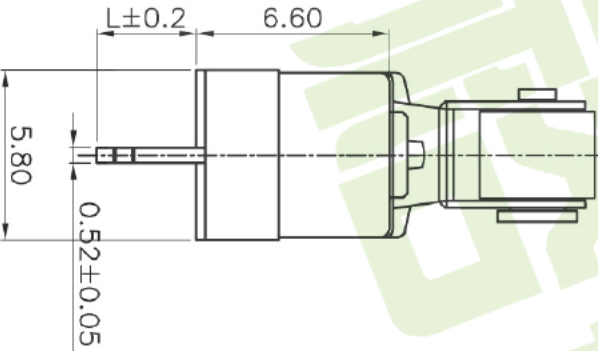
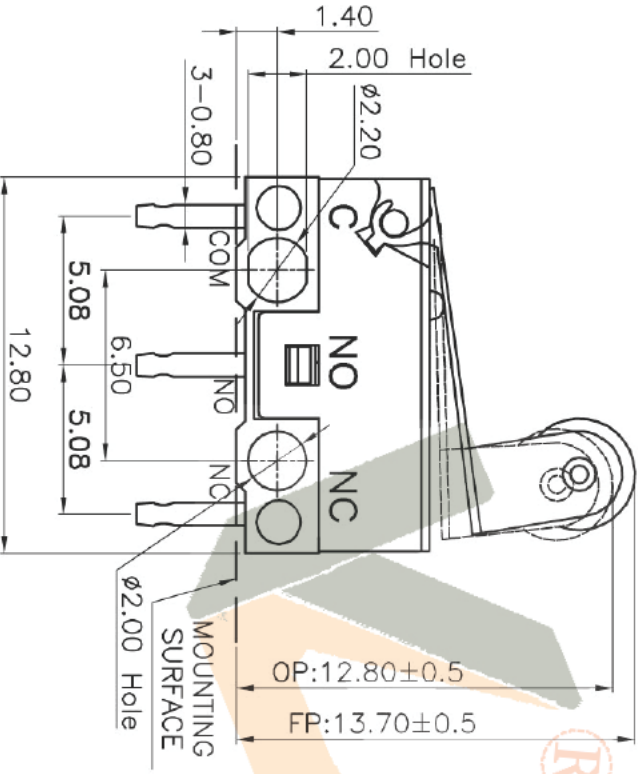


Circuit Diagram

NOTE:

- 1. Rating: DC30V 0.1A
- 2. OP: 12.8±0.50
- 3. Operating force: 20±10gf
- 4. Mechanical Life: 1,000,000



ITEM	PART NAME	TER'NO.	QTY.	MATERIAL	FINISHING	REMARK
⑩	Spindle	—	1	Alloy	Plating Nickel	—
⑨	Roller	—	1	POM	Black	—
⑧	Shrapnel 2	—	1	Copper Alloy	—	—
⑦	Shrapnel 1	—	1	Beryllium Copper	—	—
⑥	Contact	—	1	Copper Alloy	—	—
⑤	Lever	—	1	Stainless Steel	—	—
④	Terminal	—	3	Copper Alloy	Plating silver	—
③	Base	—	1	PBT	White	—
②	Knob	—	1	PBT	Gray	—
①	Cover	—	1	PBT	Black	—

APPROVALS	DATE	APPROVALS	DATE
DRAWN	JIANKUN.LIU	2015.4.8	
CHECKED			
APPROVALS			

深圳市裕诚电子有限公司
SHENZHEN YUCHENG ELECTRONICS CO., LTD

WEBSITE: www.ycelectron.com

PART NO. M7-1156K

ECN NO.	REV.	DATE.	DESCRIPTION.	CHANGE.	CHECK.	APPRO.	TOLERANCES ARE	ANGLE	UNIT.	SCALE.	PROJ.	SHEET
	A		NEW				30 ^{±0.15}	±2°	mm	1:1	PROJ.	1 OF 1
							10 ^{±0.30}					
							5 ^{±0.15}					