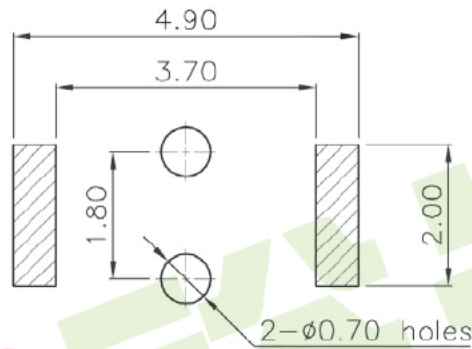
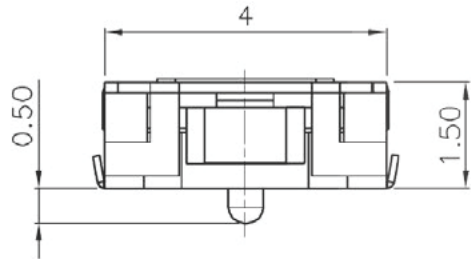
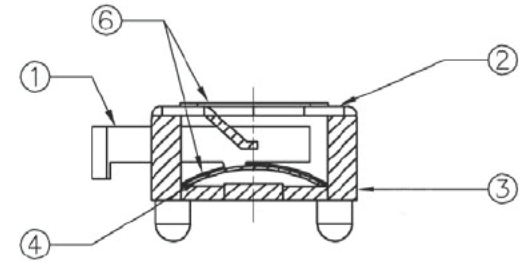


Circuit Diagram



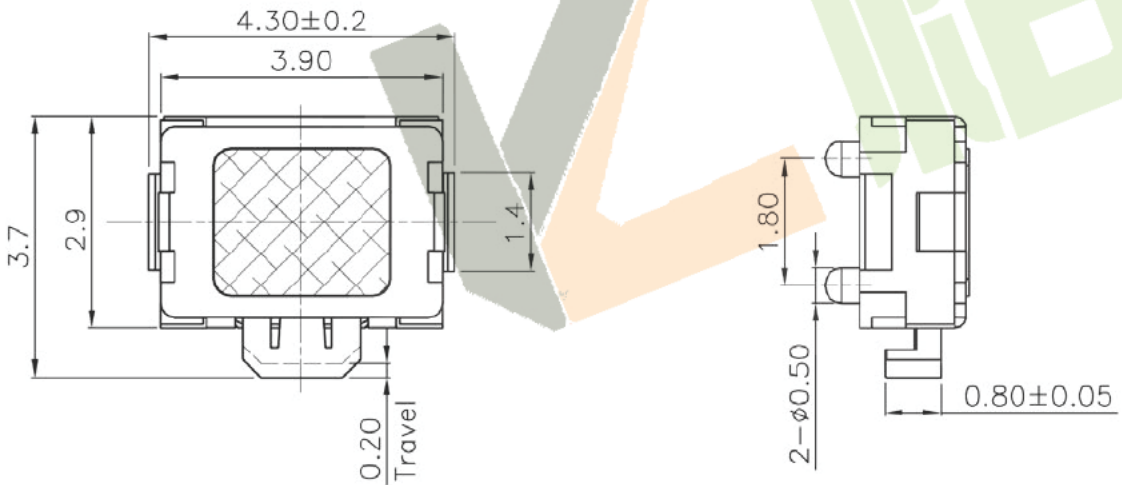
PCB Layout (Pattern side)

NO.1	
PART NO	vigor
1	90±30
2	130±30
3	180±30
4	250±30
5	350±50

NO.3-NO.4	
PART NO	NOTE
01~99	SERIAL NUMBER

NO.2	
PART NO	MATERIAL/QTY
S	SUS/1PC
D	SUS/2PCS

PART NO.
K2-1820UA
K2-1820UN



ITEM	PART NAME	TER'NO.	QTY.	MATERIAL	FINISHING	REMARK
⑥	Dust cover	—	2	Kapton film	Yellow	—
⑤	Terminal	—	4	Brass	Plating silver	—
④	Contact	—	1	SUS	Plating silver	—
③	Base	—	1	LCP	White	—
②	Cover	—	1	Brass	Plating silver	—
①	Knob	—	1	PA46	Black	—

APPROVALS		DATE	深圳市裕诚电子有限公司 SHENZHEN YUCHENG ELECTRONICS CO.,LTD											
DRAWN	J.X.Zhang	2014/3/18												
CHECKED			WEBSITE www.ycelectron.com											
APPROVALS			PART NO. M2-3953A											
TOLERANCES ARE		<table border="1"> <tr> <td>30~120</td> <td>±0.30</td> </tr> <tr> <td>10~30</td> <td>±0.20</td> </tr> <tr> <td>5~10</td> <td>±0.15</td> </tr> <tr> <td>~ 5</td> <td>±0.10</td> </tr> </table>	30~120	±0.30	10~30	±0.20	5~10	±0.15	~ 5	±0.10	ANGLE ±2'	UNIT: mm	SCALE: 1:1	PROJ:
30~120	±0.30													
10~30	±0.20													
5~10	±0.15													
~ 5	±0.10													
ECN NO.	REV.	DATE.	DRAWING NO.	SHEET 1 OF 1										

ECN NO.	REV.	DATE.	DESCRIPTION.	CHANGE.	CHECK.	APPRO.
	A		NEW			