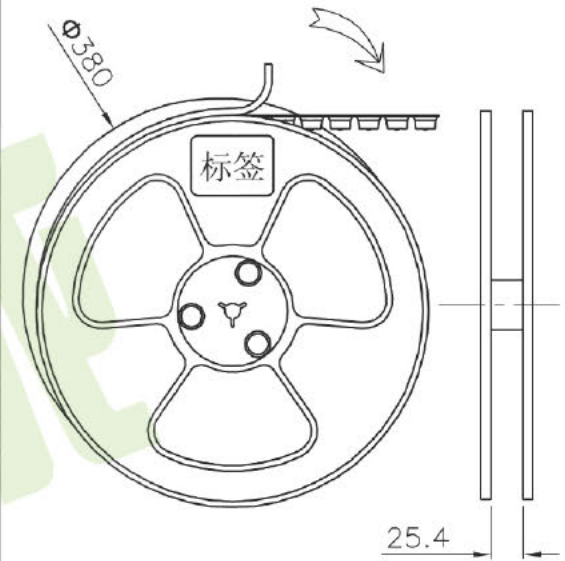


PCB Layout (Pattern side)

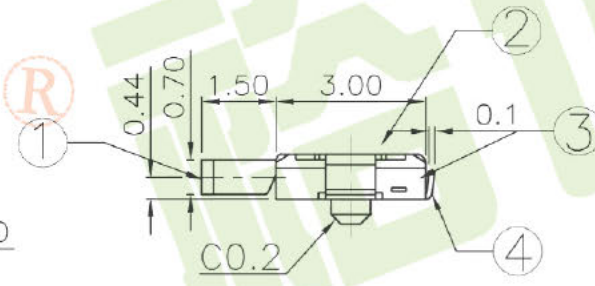
包装规格: 载带包装



数量 (PCS):
1盘: 4000

Typical Specifications :

- Rating : DC 4V 0.3A
- Life: 10,000 Cycles Min.
- Operating force: a→b c→b 100gf
b→a b→c 120gf
- Travel: 1.50mm



Circuit Diagram
C: Common Pin

ITEM	PART NAME	TER'NO.	QTY.	MATERIAL	FINISHING	REMARK
⑤	Contact Spring	—	1	Phosphor Bronze	Ag Plated	—
④	Terminal	—	4	Phosphor Bronze	Ag Plated	—
③	Base	—	1	NYLON	Black	—
②	Cover	—	1	SUS	Sn Plated	—
①	KNOB	—	1	NYLON	Black	—

APPROVALS		DATE	深圳市裕诚电子有限公司 SHENZHEN YUCHENG ELECTRONICS CO., LTD			
DRAWN	xu qi feng	2014.11.07	WEBSITE	www.ycelectron.com		
CHECKED			PART NO.	M3-2537S		
APPROVALS			TOLERANCES ARE	30~12.5 ±0.30	10~30 ±0.20	ANGLE
				5~10 ±0.15	~5 ±0.10	±2'
			UNIT:	mm	SCALE:	1:1
			DRAWING NO.			SHEET 1 OF 1

ECN NO.	REV.	DATE.	DESCRIPTION.	CHANGE.	CHECK.	APPRO.
	A		NEW			