

- NOTES:
- MECHANICAL:
 - INSERTION FORCE: 25N MAX.
 - MATING FORCE: 25N MAX
 - UMATING FORCE: 5N MIN(INITIAL), 3N(AFTER 5000 CYCLES)
 - DURABILITY: 5000 CYCLES MIN.
 - ELECTRICAL:
 - CURRENT: 0.3A
 - VOLTAGE: 30V AC MAX
 - WITHSTANDING VOLTAGE: 100V AC
 - CONTACT RESISTANCE: 30 mΩ MAX
 - INSULATION RESISTANCE: 100MΩ MIN
 - ENVIRONMENTAL
 - TEMPERATURE RANGE -30°C ~ +80°C
 - PRODUCT SPEC: SP-MICRO USB-***
 - PACKAGE SPEC: DWG-PK MUB-**

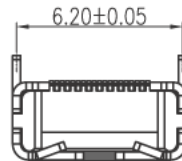
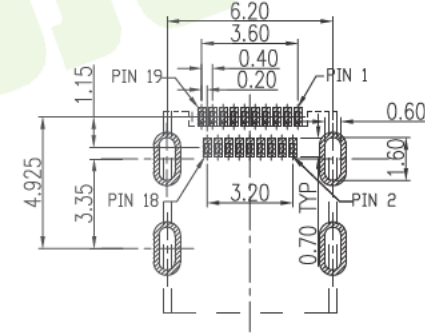
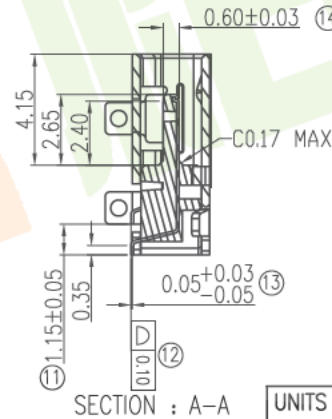
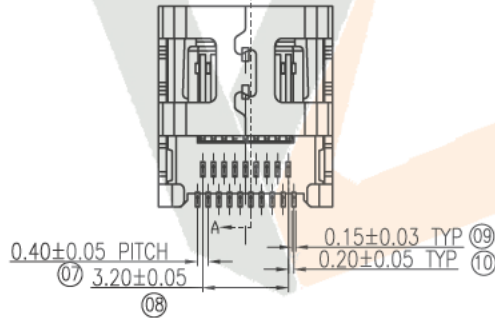
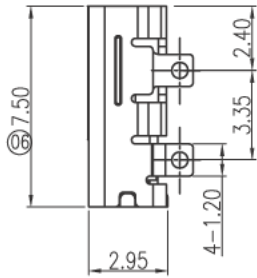
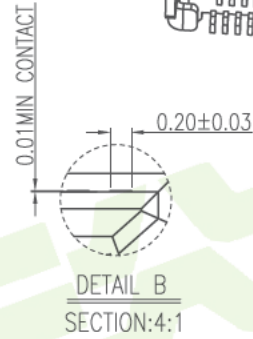
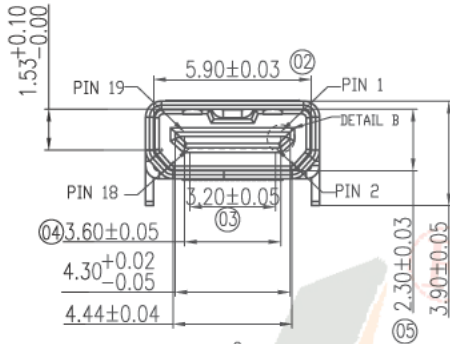


TABLE:

PRODUCT NO.	ITEM	PART NO.	PART NAME	Q'TY	Material
CD035S020R	1	PS211B5820	SHELL	1	
	2	CD034S0201	MOLDING HOUSING	1	
	3				

UNITS mm	SCALE 1:1	REV. X0	SHEET 1/1
		DATE 2016.2.5	
GENERAL TOLERANCE		DR. 陈雅	
0. ±0.35		CHK. 洪章波	
0.0 ±0.35			
0.00 ±0.25		APPD. 魏杰	
0. ±3'			
0.0 ±2'			

深圳市裕诚电子有限公司
 SHENZHEN YUCHENG ELECTRONICS CO., LTD

HDMI-19P4

www.ycelectron.com

DWG.NO.	A	PART NO.	SIZE A4
---------	---	----------	------------