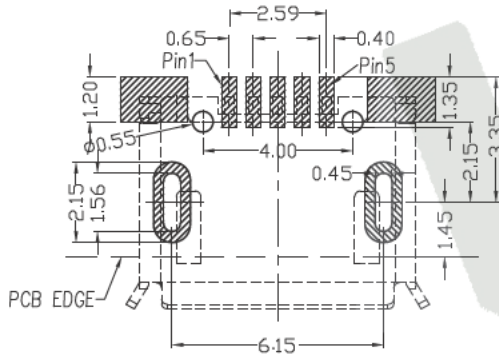
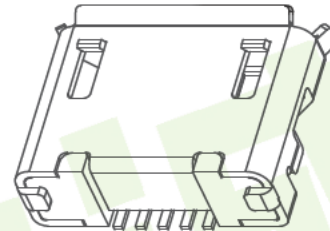
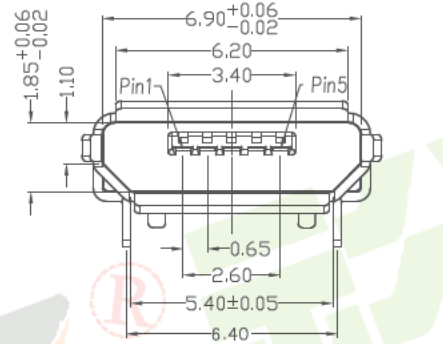
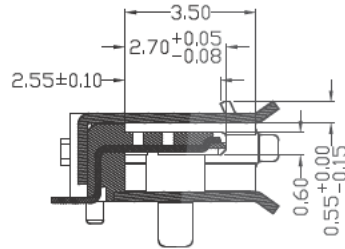
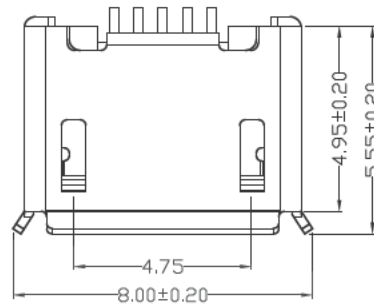
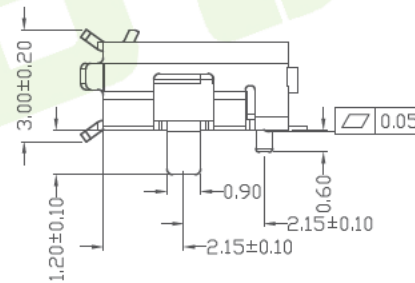
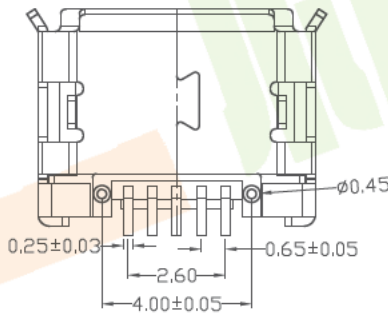


RoHS
Compliant



RECOMMENDED PCB LAYOUT



规格说明 (Specifications):

1.0 电气特性 (Electrical):

- 1.1 额定电流 (Current Rating):
1.5A/Contact Terminal
- 1.2 额定电压 (Voltage Rating):
30V DC
- 1.3 接触阻抗 (Contact Resistance):
30 Milliohms Max
- 1.4 耐电压 (Dielectric Withstanding Voltage):
500 V AC AT Sea Level
- 1.5 绝缘阻抗 (Insulation Resistance):
1000MEGA Ohms Min

2.0 物理性能 (Mechanical):

- 2.1 插拔力 (Connector Mate And Unmate Force):
Mating Force: 3.57kgf (Max)
Unmating Force: 1.02kgf (Min)
- 2.2 端子保持力 (Terminal Retention):
1.2kgf (Min)

3.0 原材料 (Material):

- 3.1 塑胶 (Housing):
Hing Temperature Thermoplastics
UL 94V-0 LCP White/Black
- 3.2 端子 (Contact):
Copper Alloy C2680 T=0.15MM
- 3.3 外壳 (Shell):
Copper/Ferro Alloy C2680/SUS T=0.25MM

4.0 电镀 (Finish):

- 4.1 端子 (Contact):
Plated Gold in Mating Area
Sn ≥ 100U" Ni ≥ 40U" Au = 1U" / 3U" / 5U" / ...
- 4.2 外壳 (Shell):
Nickel Plating
12H (Cu ≥ 80U" Ni ≥ 60U")
24H (Cu ≥ 100U" Ni ≥ 80U")
48H (Cu ≥ 120U" Ni ≥ 100U")
Sn ≥ 100U"
...

5.0 Dimension marked * must be controlled in QIP.



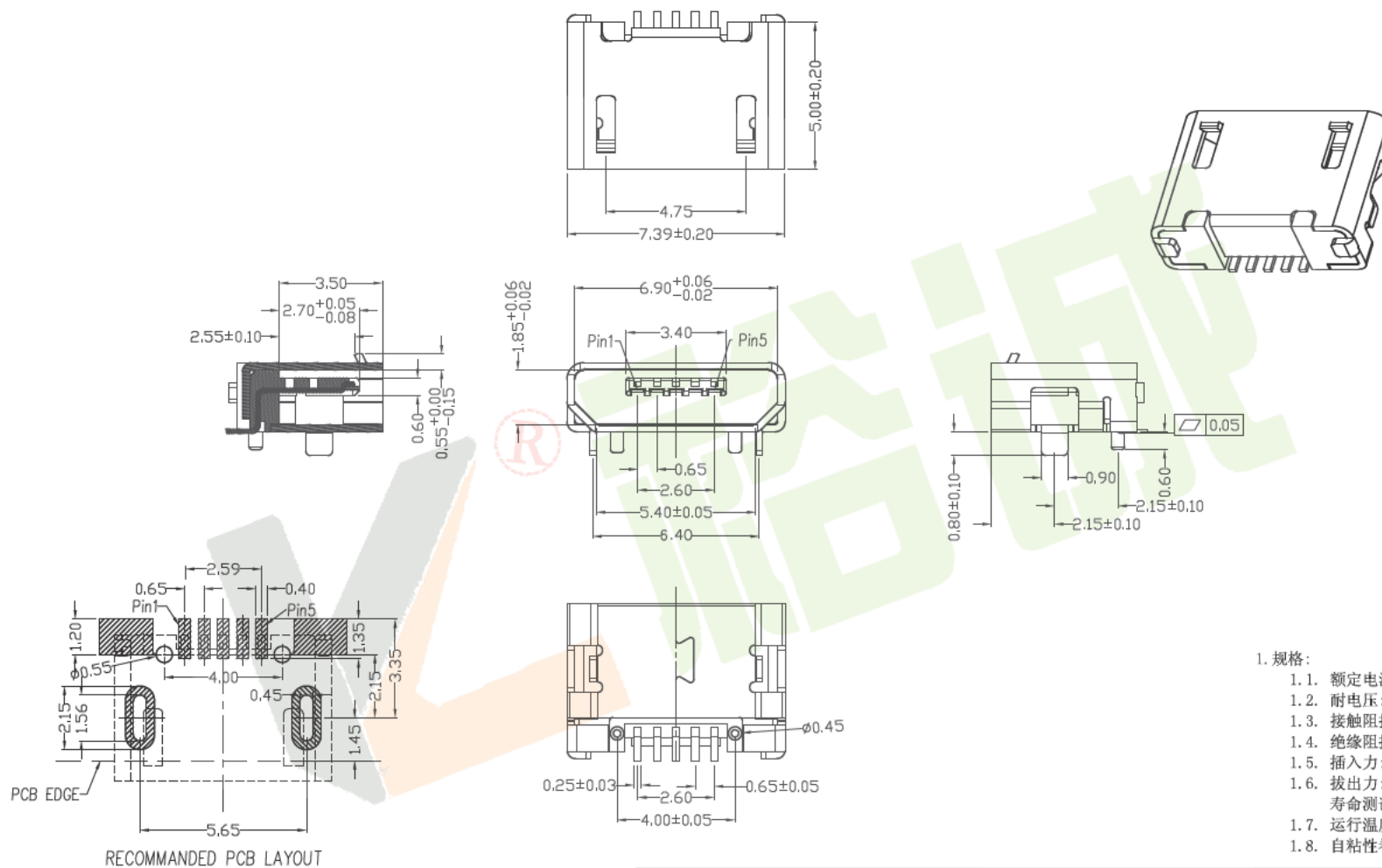
深圳市裕诚电子有限公司
SHENZHEN YUCHENG ELECTRONICS CO., LTD

图号 (DWG NO)	YC-TYPE-1836M	单位 (UNIT):	MM
版本 (REV)	A/0	比例 (SCALE)	1:1
日期 (DATE)	2016.2.5	⊙ ⊚	
设计 (DESIGN)	洪章波	未注公差 TOLERANCE UNSPECIFIED	
审核 (CHECKED)	魏杰	X.X	±0.15
核准 (APPROVED)	陈雅	X.XX	±0.10
		X.XXX	±0.05
		X°	±5°
		X.X°	±2°

3			
2			
1			
ECN NO.	DESCRPTION	REVISER	DATE

品名 (ITEM NO)	MICRO USB 5P/F SMT B型 (两脚内插板5.75MM有柱)
料号 (PART NO)	MICRO-C64T-J
WEBSITE	www.ycelectron.com

RoHS
Compliant



1. 规格:
- 1.1. 额定电流 1 A Max.
 - 1.2. 耐电压: 100 V(ac) for 1 min.
 - 1.3. 接触阻抗: 50 mΩ Max.
 - 1.4. 绝缘阻抗: 100 MΩ Min.
 - 1.5. 插入力: 3.57 KgF Max.
 - 1.6. 拔出力: 1.0 KgF Min. 0.81~2.05 KgF Min.
寿命测试: 10000cycles
 - 1.7. 运行温度范围: -30° C~+80° C
 - 1.8. 自粘性卷带包装.

 深圳市裕诚电子有限公司
SHENZHEN YUCHENG ELECTRONICS CO., LTD

图号 (DWG NO)	YC-TYPE-1821M	单位(UNIT): MM
版本 (REV)	A/0	比例(SCALE) 1:1
日期 (DATE)	2016.2.5	
设计 (DESIGN)	洪章波	未注公差 TOLERANCE UNSPECIFIED
审核 (CHECKED)	魏杰	X.X ±0.15 X.XX ±0.10 X.XXX ±0.05
核准 (APPROVED)	陈雅	X° ±5° X.X° ±2°

3			
2			
1			
ECN NO.	DESCRPTION	REVISER	DATE

品名 (ITEM NO)	micro usb 5P Btype SMT母座(前插5.9后贴带柱端) 无卷边
料号 (PART NO)	MICRO-C64T-Z
WEBSITE	www.ycelectron.com