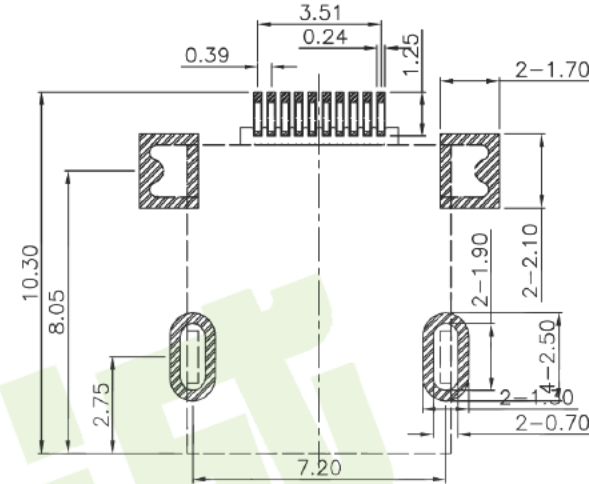
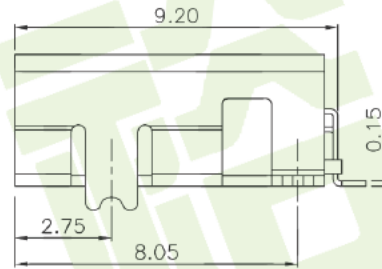
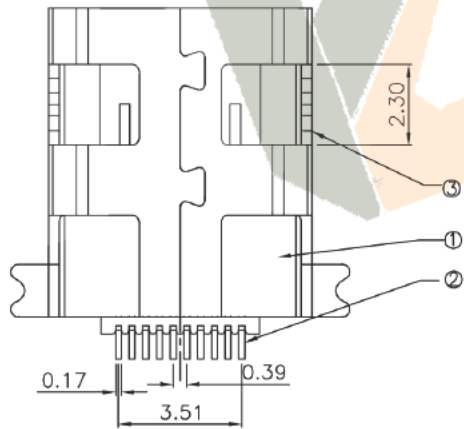
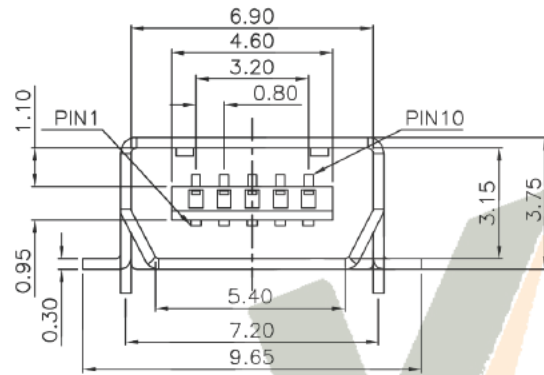
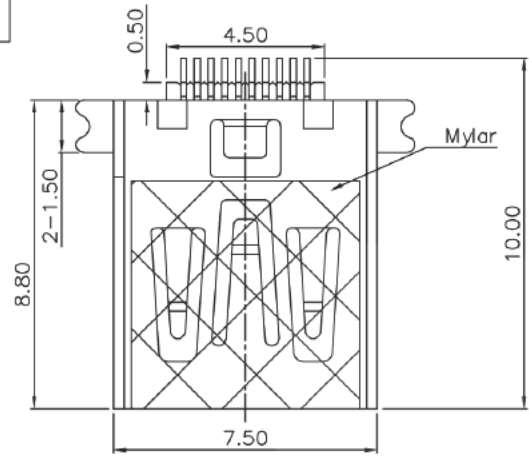


ROHS



Recommended PCB Layout

SPECIFICATIONS

- 1.RATING: DC30V 1.0A
- 2.MECHANICAL LIFE: 10,000 CYCLES.
- 3.PACKAGING: 1000PCS/REEL

④	Dust-Proof	—	1	MYLAR	—	—
③	Shell	—	1	Phosphor Bronze	Sn Plated	—
②	Contact	—	10	Phosphor Bronze	Ag Plated	—
①	Housing	—	1	LCP	Black	—
ITEM	PART NAME	TER'NO.	QTY.	MATERIAL	FINISHING	REMARK

APPROVALS		DATE	深圳市裕诚电子有限公司 SHENZHEN YUCHENG ELECTRONICS CO.,LTD			
DRAWN	JKUN.LU	2014/6/17	WEBSITE		www.ycelectron.com	
CHECKED			PART NO.		MINI-C88T	
APPROVALS			TOLERANCES ARE		ANGLE	UNIT: mm
			30~以下: ±0.30	±0.25	±2'	SCALE: 1:1
			10~30	±0.25		PROJ:
			5~10	±0.20		DRAWING NO.
			~ 5	±0.15		SHEET 1 OF 1

_____	A	_____	NEW	_____	_____	_____
ECN NO.	REV.	DATE.	DESCRIPTION.	CHANGE.	CHECK.	APPRO.