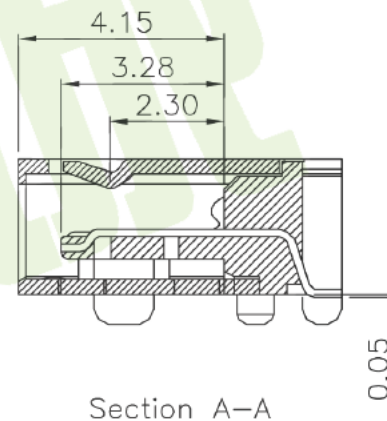
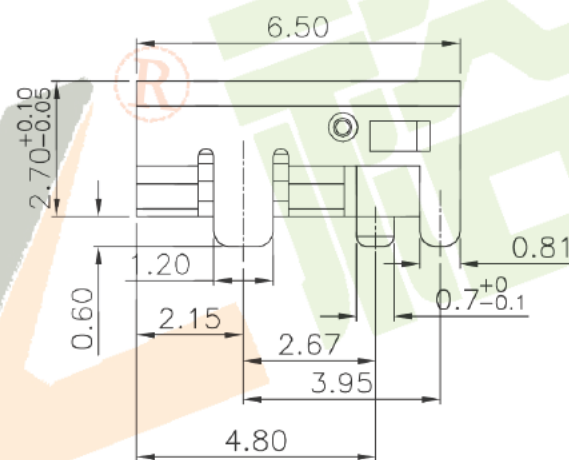
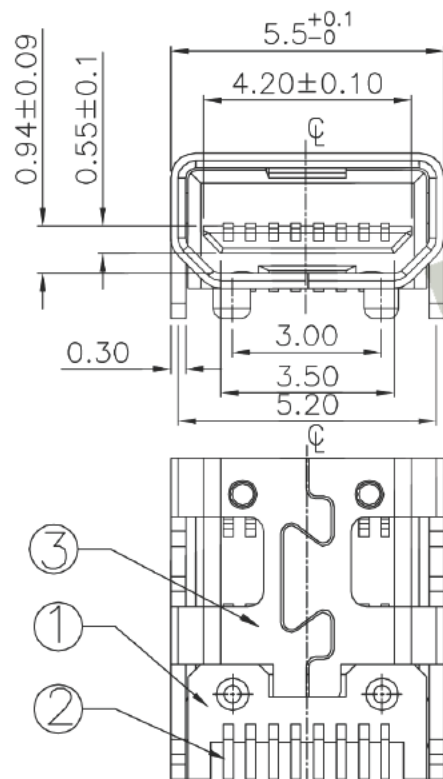
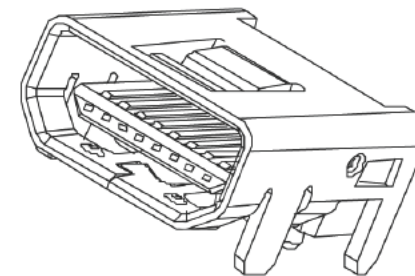
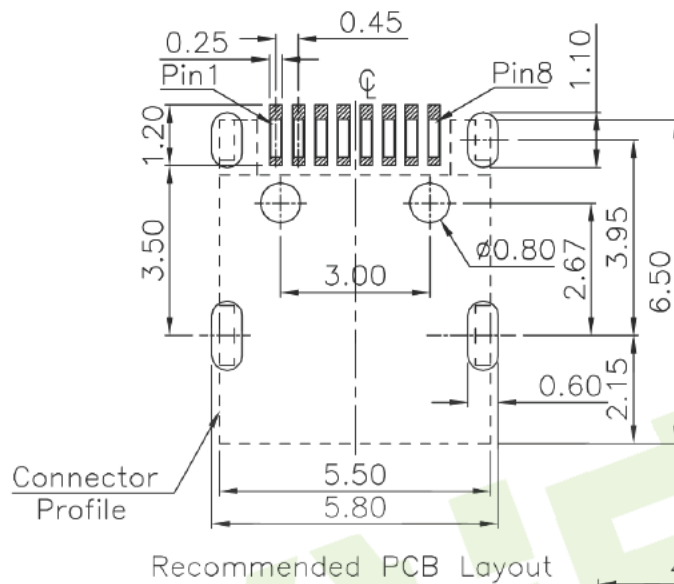
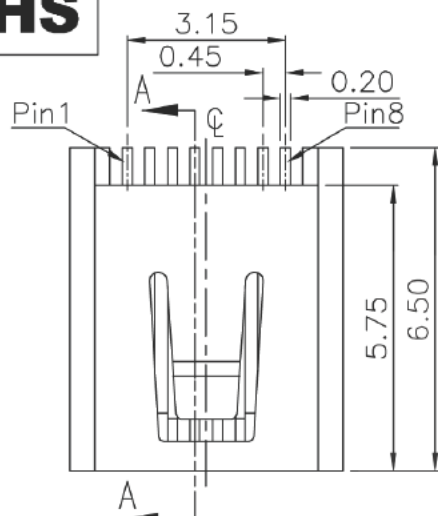


ROHS



NOTE:
 1.Mating Force: 1.0-2.0 Kgf
 2.Unmating Force: 1.0-2.0 Kgf
 3.Compliance With RoHS Directive.
 4.Mating Durability:10000 Cycles

③	Shell	—	1	Copper alloy	Au Plated	—
②	Contact	—	1	Copper alloy	Au Plated	—
①	Housing	—	1	Hi.-TEMP.Plastic	None	—
ITEM	PART NAME	TER'NO.	QTY.	MATERIAL	FINISHING	REMARK

APPROVALS		DATE		深圳市裕诚电子有限公司 SHENZHEN YUCHENG ELECTRONICS CO., LTD			
DRAWN	JKUN.LU	2014/7/22					
CHECKED				WEBSITE	www.ycelectron.com		
APPROVALS				PART NO.	MINI-C650		
TOLERANCES ARE		30~80 μm: ±0.30	10~30 μm: ±0.25	ANGLE	UNIT: mm	SCALE: 1:1	
		5~10 μm: ±0.20	~ 5 μm: ±0.15	±2'	DRAWING NO.	—	
ECN NO.	REV.	DATE.	DESCRIPTION.	CHANGE.	CHECK.	APPRO.	SHEET 1 OF 1

—	A	—	NEW	—	—	—
ECN NO.	REV.	DATE.	DESCRIPTION.	CHANGE.	CHECK.	APPRO.