

**备注:**

**1.材质:**

- 1.1胶芯: LCP+30%G.F UL94V-0
- 1.2端子: COPPER ALLOY;
- 1.3外壳: SUS304, T=0.20mm; 表面镀镍100μ"
- 1.4护板: 不锈钢, T=0.15mm;

**2.主要特性:**

- 2.1额定电流: 5A MIN FOR VBUS,  
0.25A MIN FOR OTHER.
- 2.2接触阻抗: 40mΩ MAX
- 2.3绝缘阻抗: 100MΩ MIN 250V DC
- 2.4耐压测试: 250V AC
- 2.5沾锡性: 温度250±5℃, 时间5±0.5s
- 2.6整体插入力: 2.00kgf MAX  
整体拔出力: 0.80kgf MIN
- 2.7使用寿命: 10000次
- 2.8工作温度: -55℃~+85℃

**产品料号:**

- 1-G.P
- 2-RoHS
- 3-REACH
- 4-HF/无卤

- 1-卷带包装
- 2-PVC盒

- B-半金雾锡 1u"
- D-半金雾锡 5u"
- F-半金雾锡 15u"
- H-半金雾锡 30u"

- N-可焊接
- S-雾锡
- T-亮锡
- A-金
- K-黑色
- N-本色

**EMPOLDER DRAWING**



**深圳市裕诚电子有限公司**  
SHENZHEN YUCHENG ELECTRONICS CO., LTD

APPROVED:

陈雅

CHECKED:

洪章波

DRAWING:

魏杰

**GENERAL TOLERANCES**

- .X: ±0.20
- .XX: ±0.10
- .XXX: ±0.05
- ANGEL: ± 3.0°

TITLE:

USB 3.1 C TYPE 侧插母座 (三脚插板)

PART NO:

**TYPE-C-816S**

DWG NO:

[www.ycelectron.com](http://www.ycelectron.com)

**2016.2.5**

UNIT: mm

SCALE: 1:1

SHEET: A4



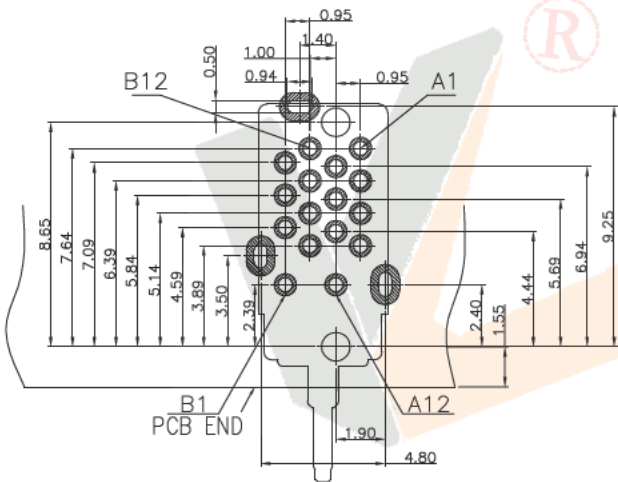
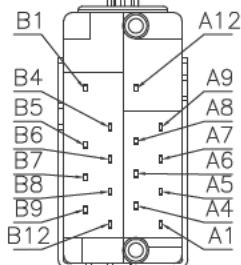
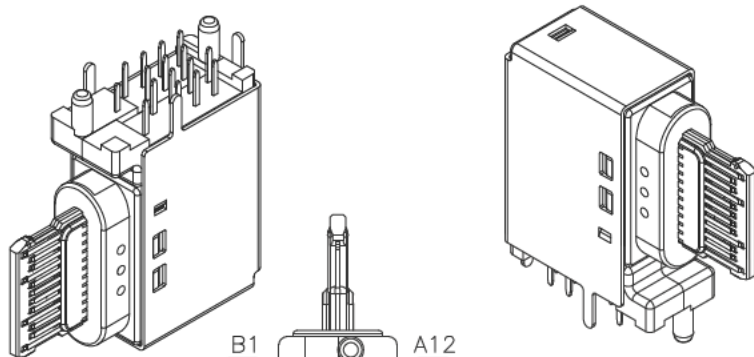
A0

LTR

ECN

DRG

DATE



RECOMMEND P.C.B LAYOUT (THICKNESS=0.1mm)

PIN	Signal Name	Description	PIN	Signal Name	Description
A1	GND	Ground return	B12	GND	Ground return
A2	SSTXp1	Positive half of first SuperSpeed TX differential pair	B11	SSRXp1	Positive half of first SuperSpeed RX differential pair
A3	SSTXn1	Negative half of first SuperSpeed TX differential pair	B10	SSRXn1	Negative half of first SuperSpeed RX differential pair
A4	VBUS	Bus Power	B9	VBUS	Bus Power
A5	CC1	Configuration Channel	B8	SBU2	Sideband Use (SBU)
A6	Dp1	Positive half of the USB 2.0 differential pair-Position 1	B7	Dn2	Negative half of the USB 2.0 differential pair-Position 2
A7	Dn1	Negative half of the USB 2.0 differential pair-Position 1	B6	Dp2	Positive half of the USB 2.0 differential pair-Position 2
A8	SBU1	Sideband Use (SBU)	B5	CC2	Configuraation Channel
A9	VBUS	Bus Power	B4	VBUS	Bus Power
A10	SSRXn2	Negative half of second SuperSpeed RX differential pair	B3	SSTXn2	Negative half of second SuperSpeed TX differential pair
A11	SSRXp2	Positive half of second SuperSpeed RX differential pair	B2	SSTXp2	Positive half of second SuperSpeed TX differential pair
A12	GND	Ground return	B1	GND	Ground return

EMPOLDER DRAWING



深圳市裕诚电子有限公司  
SHENZHEN YUCHENG ELECTRONICS CO., LTD

APPROVED:  
CHECKED:  
DRAWING:

陈雅  
洪章波  
魏杰

GENERAL TOLERANCES  
.X: ±0.20  
.XX: ±0.10  
.XXX: ±0.05  
ANGEL: ± 3.0°  
SHEET: 1 OF 3

TITLE: USB 3.1 C TYPE 侧插成品 (PCB LAYOUT)  
PART NO: TYPE-C-816S  
DWG NO: www.ycelectron.com  
REV: A3  
UNIT: mm  
SCALE: 1:1  
SHEET: A4

A0	THE NEW VERSION PUBLISHES			2016.25
LTR	REVISION RECORD			ECN DRG DATE