

符合RoHS环保要求

规格说明: Specifications:

电气特性: Electrical:

1. 额定电流: Current Rating
1.5A/contact terminal
2. 额定电压: Voltage Rating
30V DC
3. 接触阻抗: Contact Resistance
30 milliohms MAX
4. 耐电压: Dielectric Withstanding Voltage:
500 V AC AT Sea Level
5. 绝缘阻抗: Insulation Resistance:
1000MEGA ohms MIN

物理性能: Mechanical:

1. 插拔力: Connector Mate and Unmate Force
Mate force: 3.57kgf(MAX)
Unmate force: 1.02kgf(MIN)
2. 端子保持力: Terminal Retention
1.0kgf(MIN)

原材料: Material:

1. 塑胶: Housing:
Hing Temperature Thermoplastics,
2. 端子: Contact: Copper Alloy C2680
3. 外壳: Shell: Copper Alloy C2680/SPCC

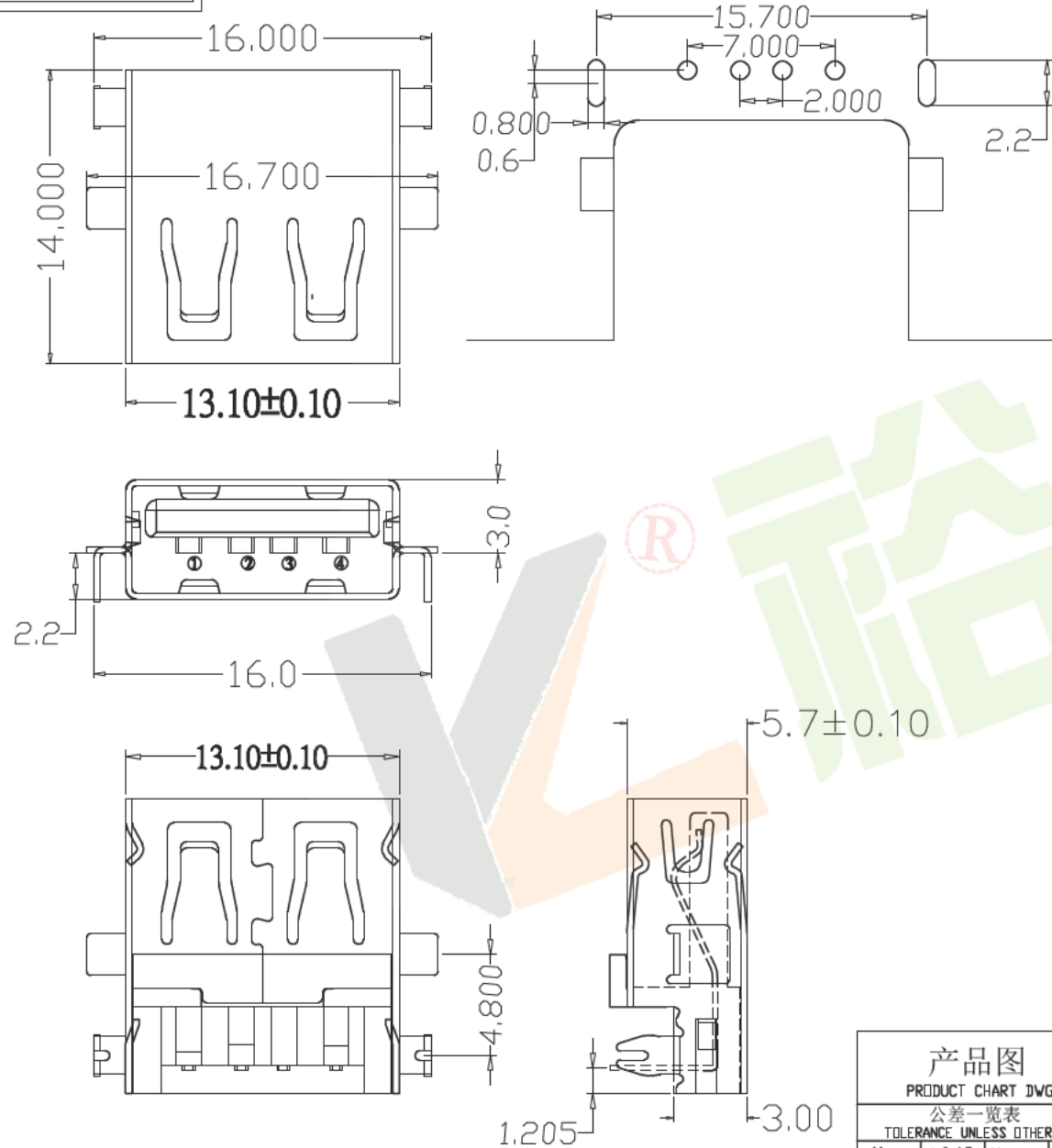
电镀: Finish:

1. 端子: Contact: Plated Gold in Mating Area;
Tin On Solder Talls

端子四周镀50U”(MIN)锡, 镀金区域镀100-200U”镀金1U”

2. 外壳: Shell:
铜壳四周镀80U”(MIN)锡

Nickel Plating



<p>产品图 PRODUCT CHART DWG</p> <p>公差一览表 TOLERANCE UNLESS OTHERWISE</p> <table border="1"> <tr> <td>.X</td> <td>±0.15</td> <td>.X</td> <td>±5'</td> </tr> <tr> <td>.XX</td> <td>±0.05</td> <td>.X</td> <td>±2'</td> </tr> <tr> <td>.XXX</td> <td>±0.02</td> <td>.XX</td> <td>±1'</td> </tr> </table> <p>www.ycelectron.com</p>				.X	±0.15	.X	±5'	.XX	±0.05	.X	±2'	.XXX	±0.02	.XX	±1'	<p>深圳市裕诚电子有限公司 SHENZHEN YUCHENG ELECTRONICS CO., LTD</p>			
.X	±0.15	.X	±5'																
.XX	±0.05	.X	±2'																
.XXX	±0.02	.XX	±1'																
单位 UNITS	MM	制图 DRAWING	陈雅	制图料号 PRODUCT PART NO	USB-C140P-Z30														
比例 SCALE	1:1	审核 CHKD	洪章波	产品名称 PRODUCT NAME	沉板外壳														
日期 DATE	2016.2.5	核准 APPD	魏杰	角法 VIEW	版本 VER														
					A0														

符合RoHS环保要求

规格说明: Specifications:

电气特性: Electrical:

1. 额定电流: Current Rating
1.5A/contact terminal
2. 额定电压: Voltage Rating
30V DC
3. 接触阻抗: Contact Resistance
30 milliohms MAX
4. 耐电压: Dielectric Withstanding Voltage:
500 V AC AT Sea Level
5. 绝缘阻抗: Insulation Resistance:
1000MEGA ohms MIN

物理性能: Mechanical:

1. 插拔力: Connector Mate and Unmate Force
Mate force: 3.57kgf(MAX)
Unmate force: 1.02kgf(MIN)
2. 端子保持力: Terminal Retention
1.0kgf(MIN)

原材料: Material:

1. 塑胶: Housing:
Hing Temperature Thermoplastics,
2. 端子: Contact: Copper Alloy C2680
3. 外壳: Shell: Copper Alloy C2680/SPCC

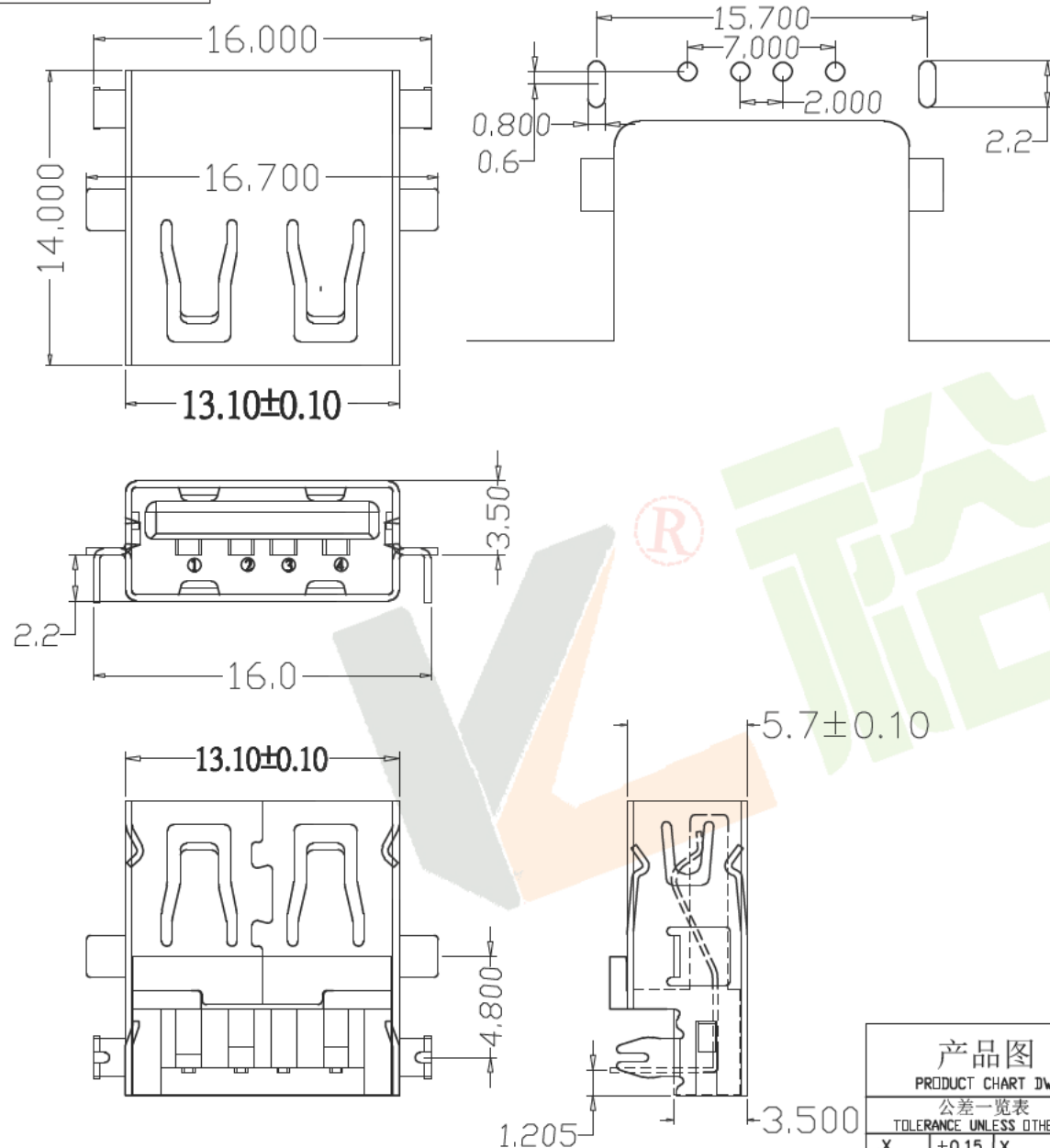
电镀: Finish:

1. 端子: Contact: Plated Gold in Mating Area;
Tin On Solder Talls

端子四周镀50U”(MIN)锡, 镀金区域镀100-200U”镀金1U”

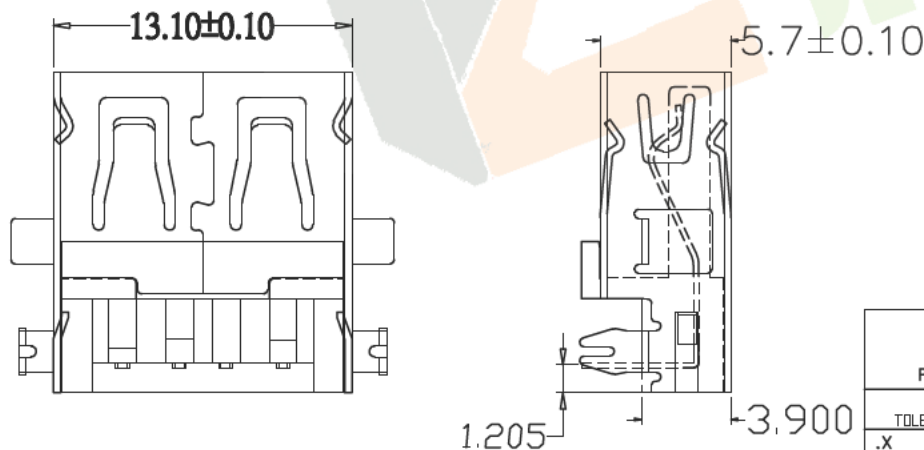
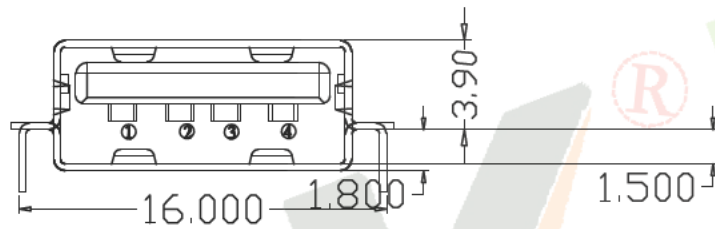
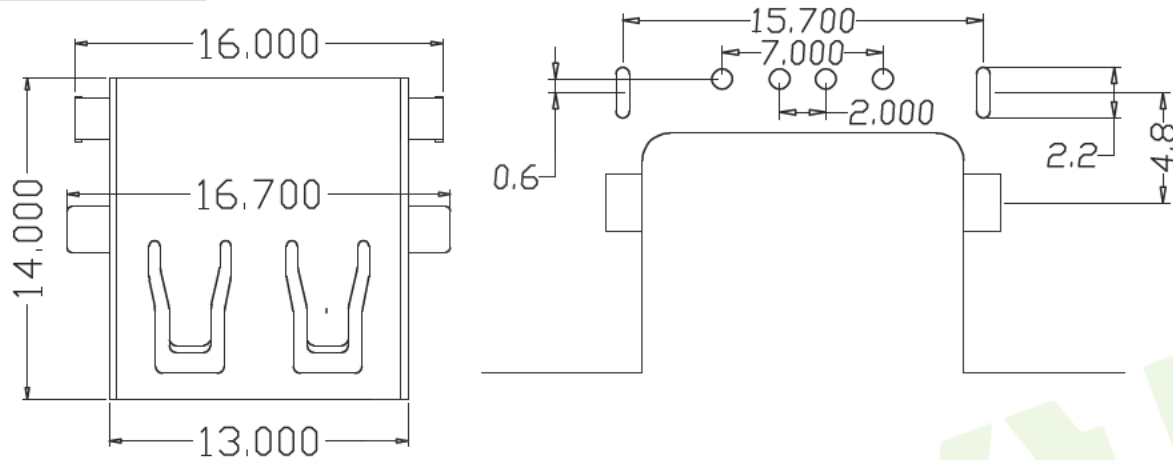
2. 外壳: Shell:
铜壳四周镀80U”(MIN)锡

Nickel Plating



产品图 PRODUCT CHART DWG				深圳市裕诚电子有限公司 SHENZHEN YUCHENG ELECTRONICS CO., LTD							
公差一览表 TOLERANCE UNLESS OTHERWISE				单位 UNITS	制图 DRAWING	审核 CHKD	制图料号 PRODUCT PART NO	产品名称 PRODUCT NO			
.X	±0.15	.X	±5°	MM	陈雅	洪章波	USB-C140P-Z35	沉板外壳			
.XX	±0.05	.X	±2°	比例 SCALE	魏杰	角法 VIEW	版本 VER	A0			
.XXX	±0.02	.XX	±1°	日期 DATE	2016.2.5	核准 APPD					
www.ycelectron.com											

符合RoHS环保要求



规格说明: Specifications:

电气特性: Electrical:

1. 额定电流: Current Rating
1.5A/contact terminal
2. 额定电压: Voltage Rating
30V DC
3. 接触电阻: Contact Resistance
30 milliohms MAX
4. 耐电压: Dielectric Withstanding Voltage:
500 V AC AT Sea Level
5. 绝缘电阻: Insulation Resistance:
1000MEGA ohms MIN

物理性能: Mechanical:

1. 插拔力: Connector Mate and Unmate Force
Mate force: 3.57kgf(MAX)
Unmate force: 1.02kgf(MIN)
2. 端子保持力: Terminal Retention
1.0kgf(MIN)

原材料: Material:

1. 塑胶: Housing:
Hing Temperature Thermoplastics,
2. 端子: Contact: Copper Alloy C2680
3. 外壳: Shell: Copper Alloy C2680/SPCC

电镀: Finish:

1. 端子: Contact: Plated Gold in Mating Area;
Tin On Solder Talls

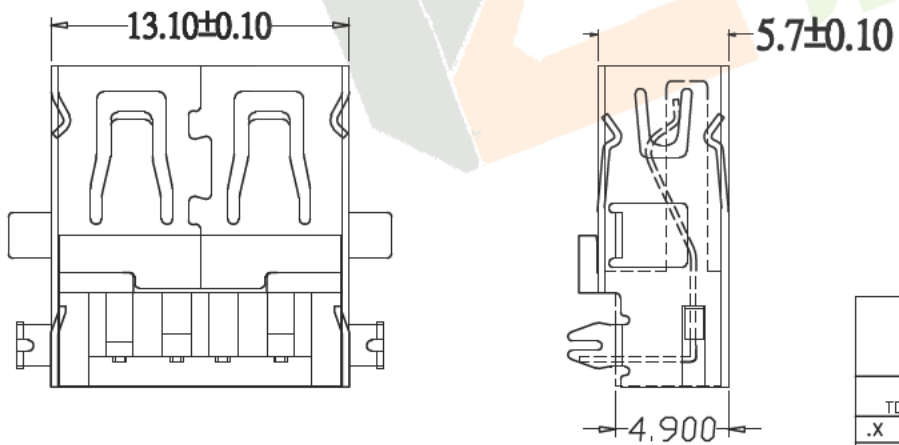
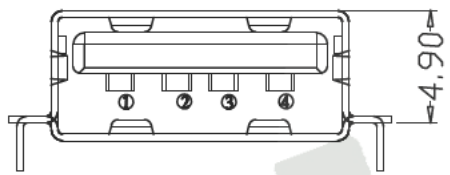
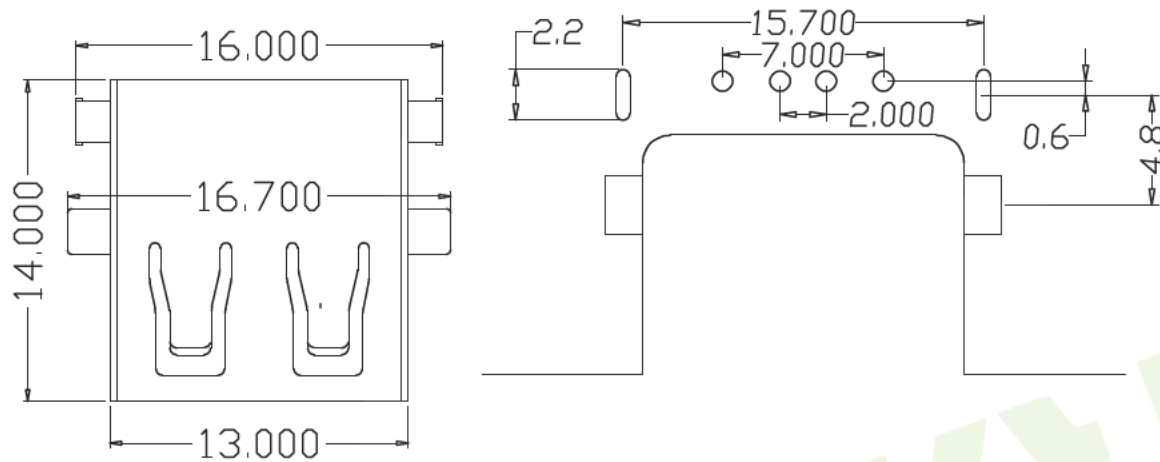
端子四周镀50U”(MIN)锡, 镀金区域镀100-200U”镀金1U”

2. 外壳: Shell:
铜壳四周镀80U”(MIN)锡

Nickel Plating

<p>产品图 PRODUCT CHART DWG</p> <p>公差一览表 TOLERANCE UNLESS OTHERWISE</p> <table border="1"> <tr> <td>.X</td> <td>±0.15</td> <td>.X</td> <td>±5'</td> </tr> <tr> <td>.XX</td> <td>±0.05</td> <td>.X</td> <td>±2'</td> </tr> <tr> <td>.XXX</td> <td>±0.02</td> <td>.XX</td> <td>±1'</td> </tr> </table> <p>www.ycelectron.com</p>		.X	±0.15	.X	±5'	.XX	±0.05	.X	±2'	.XXX	±0.02	.XX	±1'	<p>深圳市裕诚电子有限公司 SHENZHEN YUCHENG ELECTRONICS CO., LTD</p>		<p>单位 UNITS</p> <p>MM</p>		<p>制图 DRAWING</p> <p>陈雅</p>		<p>制图料号 PRODUCT PART NO</p> <p>USB-C140P-Z39</p>	
.X	±0.15	.X	±5'																		
.XX	±0.05	.X	±2'																		
.XXX	±0.02	.XX	±1'																		
<p>比例 SCALE</p> <p>1:1</p>		<p>审核 CHKD</p> <p>洪章波</p>		<p>产品名称 PRODUCT NO</p> <p>沉板外壳</p>		<p>日期 DATE</p> <p>2016.2.5</p>		<p>核准 APPD</p> <p>魏杰</p>													
		<p>角法 VIEW</p>		<p>版本 VER</p>		<p>A0</p>															

符合RoHS环保要求



规格说明: Specifications:

电气特性: Electrical:

1. 额定电流: Current Rating
1.5A/contact terminal
2. 额定电压: Voltage Rating
30V DC
3. 接触阻抗: Contact Resistance
30 milliohms MAX
4. 耐电压: Dielectric Withstanding Voltage:
500 V AC AT Sea Level
5. 绝缘阻抗: Insulation Resistance:
1000MEGA ohms MIN

物理性能: Mechanical:

1. 插拔力: Connector Mate and Unmate Force
Mate force: 3.57kgf(MAX)
Unmate force: 1.02kgf(MIN)
2. 端子保持力: Terminal Retention
1.0kgf(MIN)

原材料: Material:

1. 塑胶: Housing:
Hing Temperature Thermoplastics,
2. 端子: Contact: Copper Alloy C2680
3. 外壳: Shell: Copper Alloy C2680/SPCC

电镀: Finish:

1. 端子: Contact: Plated Gold in Mating Area;
Tin On Solder Talls
端子四周镀50U"(MIN)锡, 镀金区域镀100-200U"镀金1U"
2. 外壳: Shell:
铜壳四周镀80U"(MIN)锡
Nickel Plating

<p>产品图 PRODUCT CHART DWG</p> <p>公差一览表 TOLERANCE UNLESS OTHERWISE</p> <table border="1"> <tr> <td>.X</td> <td>±0.15</td> <td>.X</td> <td>±5'</td> </tr> <tr> <td>.XX</td> <td>±0.05</td> <td>.X</td> <td>±2'</td> </tr> <tr> <td>.XXX</td> <td>±0.02</td> <td>.XX</td> <td>±1'</td> </tr> </table> <p>www.ycelectron.com</p>		.X	±0.15	.X	±5'	.XX	±0.05	.X	±2'	.XXX	±0.02	.XX	±1'	<p>深圳市裕诚电子有限公司 SHENZHEN YUCHENG ELECTRONICS CO., LTD</p>		<p>单位 UNITS</p> <p>MM</p>	<p>制图 DRAWING</p> <p>陈雅</p>	<p>制图料号 PRODUCT PART NO</p> <p>USB-C140P-Z49</p>	<p>比例 SCALE</p> <p>1:1</p>	<p>审核 CHKD</p> <p>洪章波</p>	<p>产品名称 PRODUCT NO</p> <p>沉板外壳</p>	<p>日期 DATE</p> <p>2016.2.5</p>	<p>核准 APPD</p> <p>魏杰</p>	<p>角法 VIEW</p>	<p>版本 VER</p>	<p>A0</p>
.X	±0.15	.X	±5'																							
.XX	±0.05	.X	±2'																							
.XXX	±0.02	.XX	±1'																							