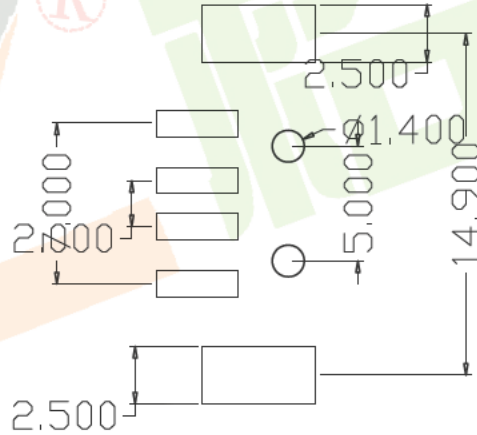
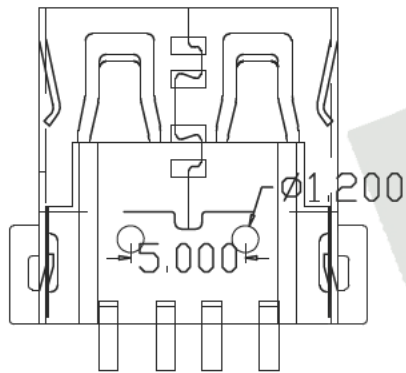
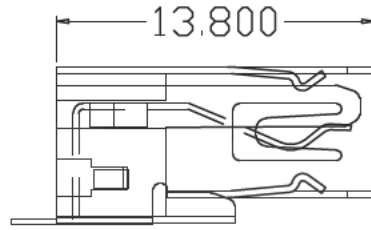
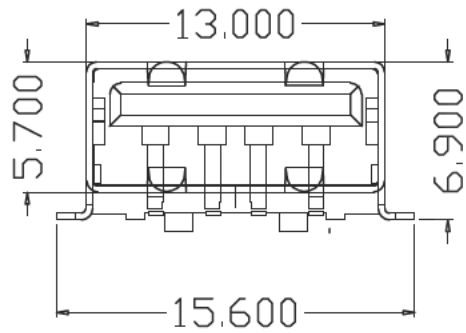


符合RoHS环保要求



规格说明: Specifications:

电气特性: Electrical:

1. 额定电流: Current Rating
1.5A/contact terminal
2. 额定电压: Voltage Rating
30V DC
3. 接触阻抗: Contact Resistance
30 milliohms MAX
4. 耐电压: Dielectric Withstanding Voltage:
500 V AC AT Sea Level
5. 绝缘阻抗: Insulation Resistance:
1000MEGA ohms MIN

物理性能: Mechanical:

1. 插拔力: Connector Mate and Unmate Force
Mate force: 3.57kgf (MAX)
Unmate force: 1.02kgf (MIN)
2. 端子保持力: Terminal Retention
1.0kgf (MIN)

原材料: Material:

1. 塑胶: Housing:
High Temperature Thermoplastics,
2. 端子: Contact: Copper Alloy C2680
3. 外壳: Shell: Copper Alloy C2680/SPCC

电镀: Finish:

1. 端子: Contact: Plated Gold in Mating Area;
Tin On Solder Tails

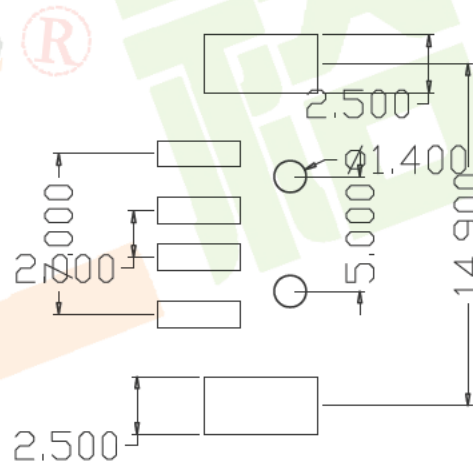
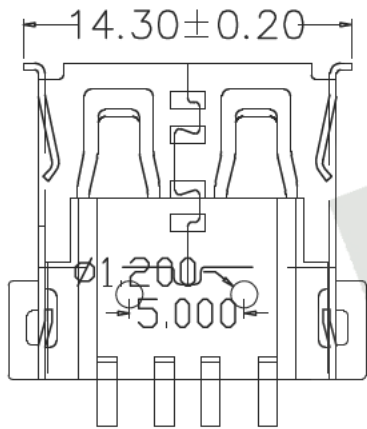
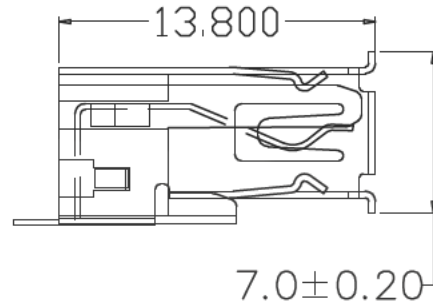
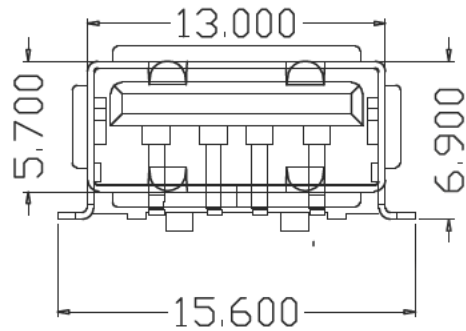
端子四周镀50U”(MIN)锡, 镀金区域镀100-200U”镀金1U”

2. 外壳: Shell:
铜壳四周镀80U”(MIN)锡

Nickel Plating

| | | | | | | | | | |
|-------------------------------------|-------|--|-----|--------------------|----------|--------------------------|--------------|---|---|
| 产品图 PRODUCT CHART DWG | |  深圳市裕诚电子有限公司 SHENZHEN YUCHENG ELECTRONICS CO., LTD | | | | | | | |
| 公差一览表 TOLERANCE UNLESS OTHERWISE | | 单位 UNITS | MM | 制图 DRAWING | 陈雅 | 制图料号 PRODUCT PART NO. | USB-Q138Z-12 | | |
| .X | ±0.15 | .X | ±5' | 比例 SCALE | 1:1 | 审核 CHKD | 洪章波 | 产品名称 PRODUCT NAME | 沉板外壳 |
| .XX | ±0.05 | .X | ±2' | 日期 DATE | 2016.2.5 | 核准 APPD | 魏杰 | 角法 VIEW |  版本 VER |
| .XXX | ±0.02 | .XX | ±1' | www.ycelectron.com | | | |  版本 VER | A0 |

符合RoHS环保要求



规格说明: Specifications:

电气特性: Electrical:

1. 额定电流: Current Rating
1.5A/contact terminal
2. 额定电压: Voltage Rating
30V DC
3. 接触电阻: Contact Resistance
30 milliohms MAX
4. 耐电压: Dielectric Withstanding Voltage:
500 V AC AT Sea Level
5. 绝缘电阻: Insulation Resistance:
1000MEGA ohms MIN

物理性能: Mechanical:

1. 插拔力: Connector Mate and Unmate Force
Mate force: 3.57kgf(MAX)
Unmate force: 1.02kgf(MIN)
2. 端子保持力: Terminal Retention
1.0kgf(MIN)

原材料: Material:

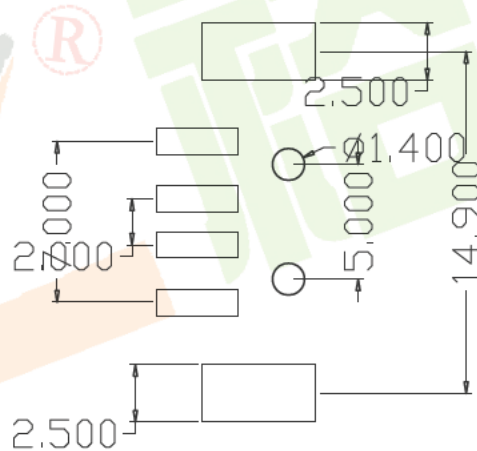
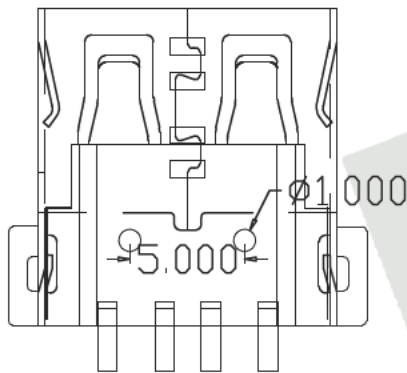
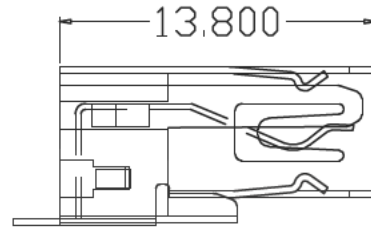
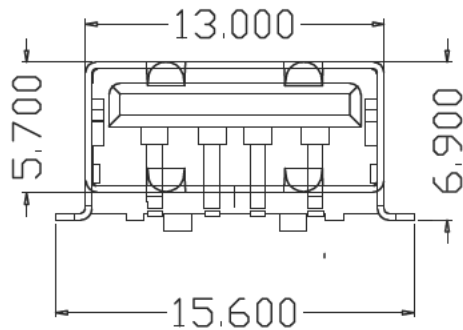
1. 塑胶: Housing:
Hing Temperature Thermoplastics,
2. 端子: Contact: Copper Alloy C2680
3. 外壳: Shell: Copper Alloy C2680/SPCC

电镀: Finish:

1. 端子: Contact: Plated Gold in Mating Area;
Tin On Solder Talls
端子四周镀50U”(MIN)锡, 镀金区域镀100-200U”镀金1U”
2. 外壳: Shell:
铜壳四周镀80U”(MIN)锡
Nickel Platinc

| | | | | | | | | | |
|-------------------------------------|-------|--|-----|--------------------|----------|-------------------------|--------------|---|-----------|
| 产品图 PRODUCT CHART DWG | |  深圳市裕诚电子有限公司 SHENZHEN YUCHENG ELECTRONICS CO., LTD | | | | | | | |
| 公差一览表 TOLERANCE UNLESS OTHERWISE | | 单位 UNITS | MM | 制图 DRAWING | 陈雅 | 制图料号 PRODUCT PART NO | USB-Q138J-12 | | |
| .X | ±0.15 | .X | ±5' | 比例 SCALE | 1:1 | 审核 CHKD | 洪章波 | 产品名称 PRODUCT NO | 沉板外壳 |
| .XX | ±0.05 | .X | ±2' | 日期 DATE | 2016.2.5 | 核准 APPD | 魏杰 | 角法 VIEW | 版本 VER |
| .XXX | ±0.02 | .XX | ±1' | www.ycelectron.com | | | |  版本 VER | A0 |

符合RoHS环保要求



规格说明: Specifications:

电气特性: Electrical:

1. 额定电流: Current Rating
1.5A/contact terminal
2. 额定电压: Voltage Rating
30V DC
3. 接触电阻: Contact Resistance
30 milliohms MAX
4. 耐压: Dielectric Withstanding Voltage:
500 V AC AT Sea Level
5. 绝缘电阻: Insulation Resistance:
1000MEGA ohms MIN

物理性能: Mechanical:

1. 插拔力: Connector Mate and Unmate Force
Mate force: 3.57kgf (MAX)
Unmate force: 1.02kgf (MIN)
2. 端子保持力: Terminal Retention
1.0kgf (MIN)

原材料: Material:

1. 塑胶: Housing:
High Temperature Thermoplastics,
2. 端子: Contact: Copper Alloy C2680
3. 外壳: Shell: Copper Alloy C2680/SPCC

电镀: Finish:

1. 端子: Contact: Plated Gold in Mating Area;
Tin On Solder Tails
端子四周镀50U”(MIN)锡, 镀金区域镀100-200U”镀金1U”
2. 外壳: Shell:
铜壳四周镀80U”(MIN)锡
Nickel Plating

产品图

PRODUCT CHART DWG

公差一览表

TOLERANCE UNLESS OTHERWISE

| | | | |
|------|-------|-----|-----|
| .X | ±0.15 | .X | ±5° |
| .XX | ±0.05 | .X | ±2° |
| .XXX | ±0.02 | .XX | ±1° |

www.ycelectron.com

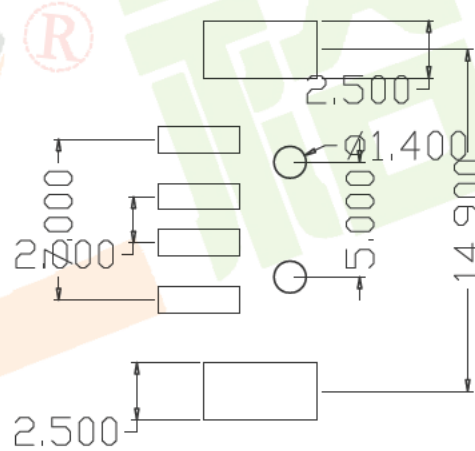
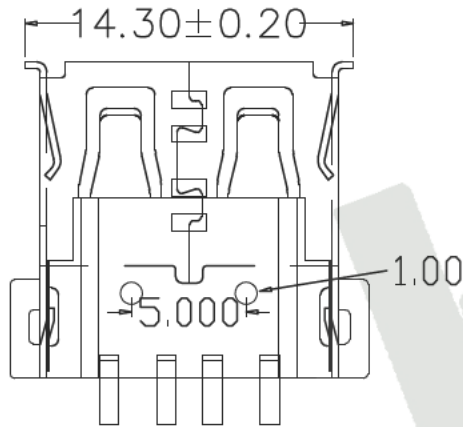
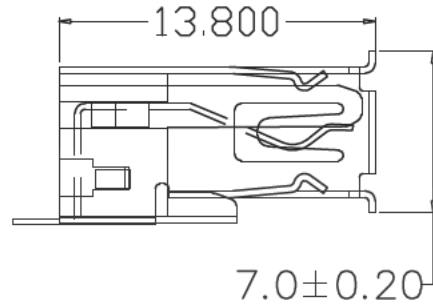
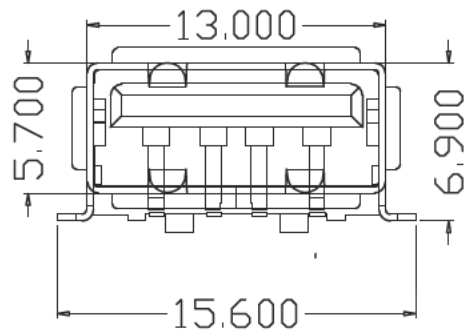


深圳市裕诚电子有限公司

SHENZHEN YUCHENG ELECTRONICS CO., LTD

| | | | | | | | |
|-------------|----------|---------------|-----|-------------------------|--------------|----|--|
| 单位 UNITS | MM | 制图 DRAWING | 陈雅 | 制图料号 PRODUCT PART NO | USB-Q138Z-10 | | |
| 比例 SCALE | 1:1 | 审核 CHKD | 洪章波 | 产品名称 PRODUCT NAME | 沉板外壳 | | |
| 日期 DATE | 2016.2.5 | 核准 APPD | 魏杰 | 角法 VIEW | 版本 VER | A0 | |

符合RoHS环保要求



规格说明: Specifications:

电气特性: Electrical:

1. 额定电流: Current Rating
1.5A/contact terminal
2. 额定电压: Voltage Rating
30V DC
3. 接触阻抗: Contact Resistance
30 milliohms MAX
4. 耐电压: Dielectric Withstanding Voltage:
500 V AC AT Sea Level
5. 绝缘阻抗: Insulation Resistance:
1000MEGA ohms MIN

物理性能: Mechanical:

1. 插拔力: Connector Mate and Unmate Force
Mate force: 3.57kgf(MAX)
Unmate force: 1.02kgf(MIN)
2. 端子保持力: Terminal Retention
1.0kgf(MIN)

原材料: Material:

1. 塑胶: Housing:
Hing Temperature Ternmaplastics,
2. 端子: Contact: Copper Alloy C2680
3. 外壳: Shell: Copper Alloy C2680/SPCC

电镀: Finish:

1. 端子: Contact: Plated Gold in Mating Area;
Tin On Solder Talls
端子四周镀50U”(MIN)锡, 镀金区域镀100-200U”镀金1U”
2. 外壳: Shell:
铜壳四周镀80U”(MIN)锡
Nickel Plating

产品图

PRODUCT CHART DWG

公差一览表

TOLERANCE UNLESS OTHERWISE

| | | | |
|------|-------|-----|-----|
| .X | ±0.15 | .X | ±5° |
| .XX | ±0.05 | .X | ±2° |
| .XXX | ±0.02 | .XX | ±1° |

www.ycelectron.com



深圳市裕诚电子有限公司

SHENZHEN YUCHENG ELECTRONICS CO., LTD

| | | | | | |
|-------------|----------|---------------|-----|-------------------------|--------------|
| 单位 UNITS | MM | 制图 DRAWING | 陈雅 | 制图料号 PRODUCT PART NO | USB-Q138J-10 |
| 比例 SCALE | 1:1 | 审核 CHKD | 洪章波 | 产品名称 PRODUCT NAME | 沉板外壳 |
| 日期 DATE | 2016.2.5 | 核准 APPD | 魏杰 | 角法 VIEW | 版本 VER |

