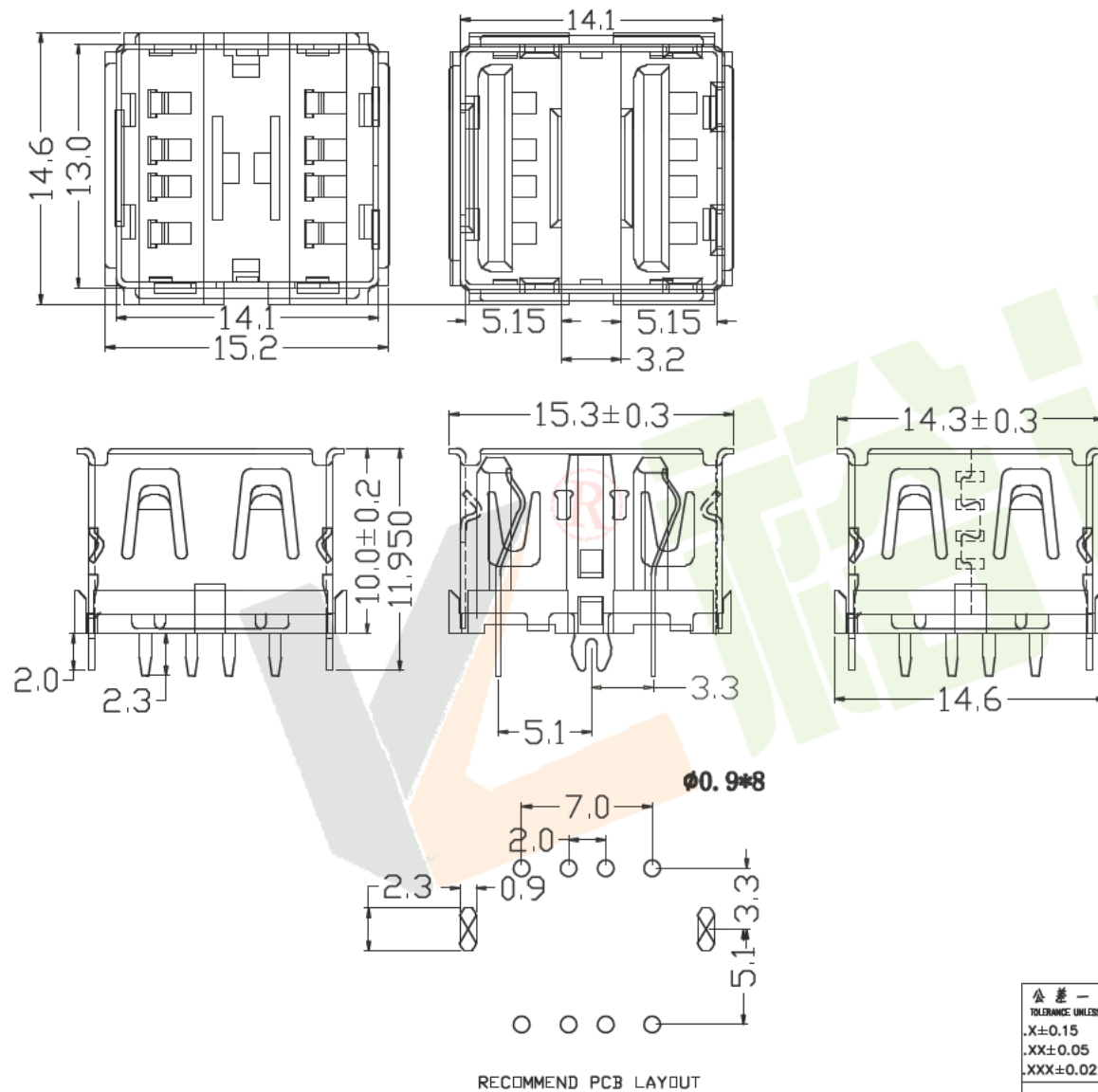


符合RoHS环保要求



- Material:**  
 Contact: Phosphor Bronze  
 Insulator: PBT+30% G.F. UL 94V-0  
 Shell: SPCC
- Mechanical:**  
 Mating: 35N max.  
 Withdrawal Force: 10N min.  
 Durability: 1500 cycles min.
- Electrical:**  
 Current-max (amps) 1.5A  
 Voltage-max (volts) 30V  
 Withstanding Voltage 750V AC  
 Contact Resistance (ohms) 30 milliohms max  
 Insulation Resistance (ohms) 1000 Megohms min.
- Plating:**  
 Contacts: Gold And Tin Over Nickel Plated  
 Shell: Nickel over all plating.
- Environmental:**  
 Temperature Range: -55 to 85 .

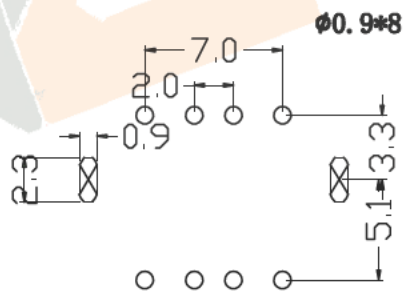
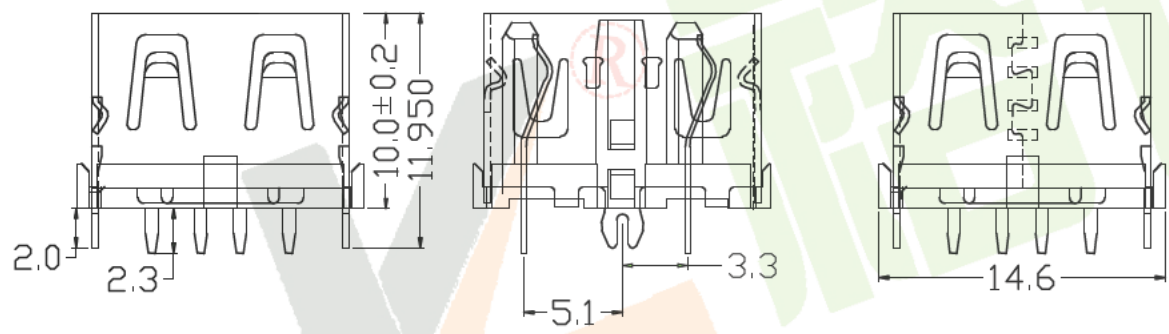
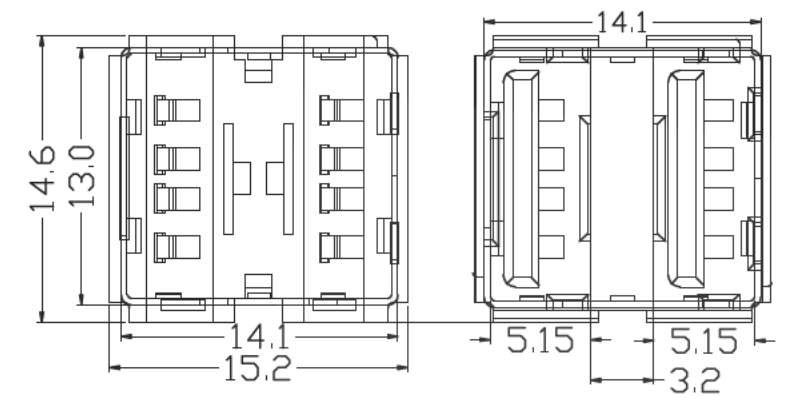
公差一览表  
 TOLERANCE UNLESS OTHERWISE  
 .X±0.15 X±5'  
 .XX±0.05 .X±2'  
 .XXX±0.02 .XX±1'



深圳市裕诚电子有限公司  
 SHENZHEN YUCHENG ELECTRONICS CO., LTD

DWG NO.	USB-S10YJ	制图 DRAWING	陈雅	版本 VER	AO
品名 NAME	双层直插10.0卷边鱼叉脚	设计 DESIGN	洪章波	页数 SHEET	001
WEBSITE	www.ycelectron.com	审核 CHECKED	魏杰	比例 SCALE	1:1
成品图 MANUFACTURED		日期 DATE	2016.10.20	单位 UNIT	MM

符合RoHS环保要求



RECOMMEND PCB LAYOUT

1. Material :  
 Contact: Phosphor Bronze  
 Insulator: PBT+30% G. F. UL 94V-0  
 Shell: SPCC
2. Mechanical :  
 Mating: 35N max.  
 Withdrawal Force: 10N min.  
 Durability: 1500 cycles min.
3. Electrical :  
 Current-max (amps) 1.5A  
 Voltage-max (volts) 30V  
 Withstanding Voltage 750V AC  
 Contact Resistance (ohms) 30 milliohms max  
 Insulation Resistance (ohms) 1000 Megohms min.
4. Plating :  
 Contacts: Gold And Tin Over Nickel Plated  
 Shell: Nickel over all plating.
5. Environmental :  
 Temperature Range: -55 to 85 .

公差一览表 TOLERANCE UNLESS OTHERWISE SPECIFIED .X±0.15 X±5' .XX±0.05 .X±2' .XXX±0.02 .XX±1'		角法 VIEW	深圳市裕诚电子有限公司 SHENZHEN YUCHENG ELECTRONICS CO., LTD			
DWG NO.	USB-S10YZ	制图 DRAWING	陈雅	版本 VER	AO	
品名 NAME	双层直插10.0直边鱼叉脚	设计 DESIGN	洪章波	页数 SHEET	001	
WEBSITE	www.ycelectron.com	审核 CHECKED	魏杰	比例 SCALE	1 : 1	
成品图 MANUFACTURED		日期 DATE	2016.10.20	单位 UNIT	MM	