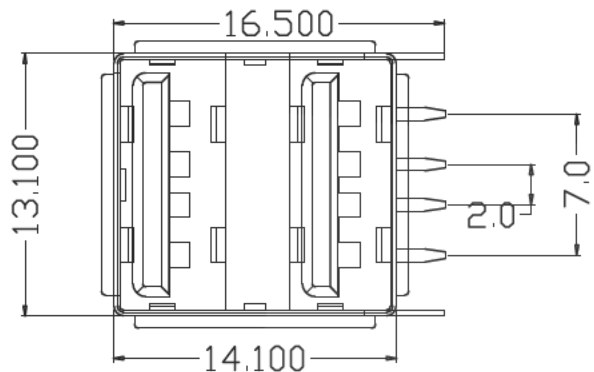
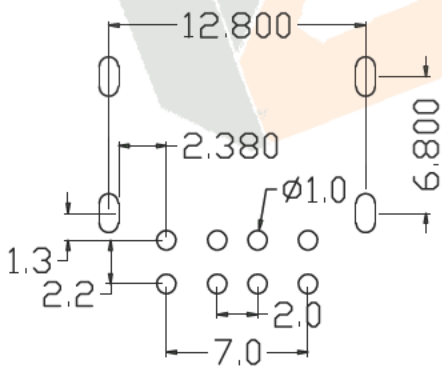
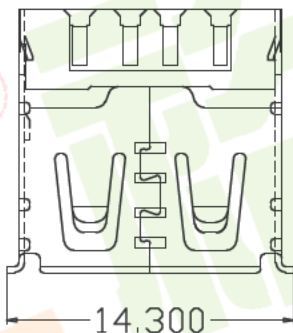
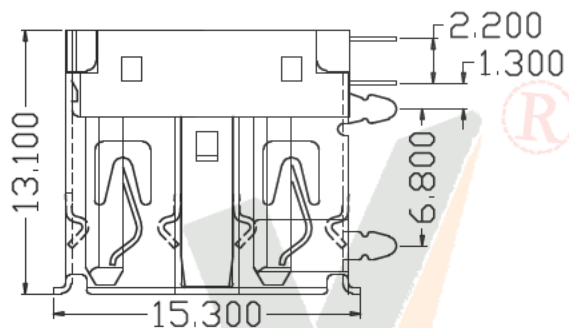


符合RoHS环保要求



四脚卷边



- Material:**
 Contact: Phosphor Bronze
 Insulator: PBT+30% G. F. UL 94V-0
 Shell: SPCC
- Mechanical:**
 Mating: 35N max.
 Withdrawal Force: 10N min.
 Durability: 1500 cycles min.
- Electrical:**
 Current-max (amps) 1.5A
 Voltage-max (volts) 30V
 Withstanding Voltage 750V AC
 Contact Resistance (ohms) 30 milliohms max insulation Resistance (ohms) 1000 Megohms min.
- Plating:**
 Contacts: Gold And Tin Over Nickel Plated
 Shell: Nickel over all plating.
- Environmental:**
 Temperature Range: -55 to 85 .

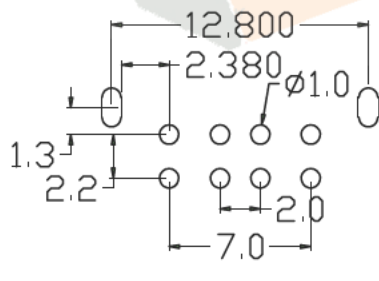
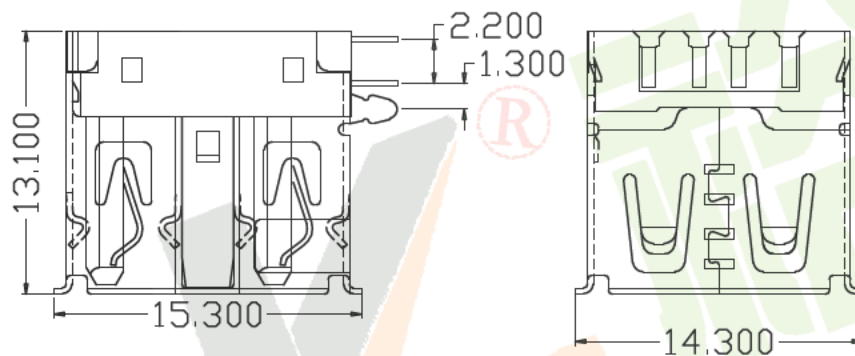
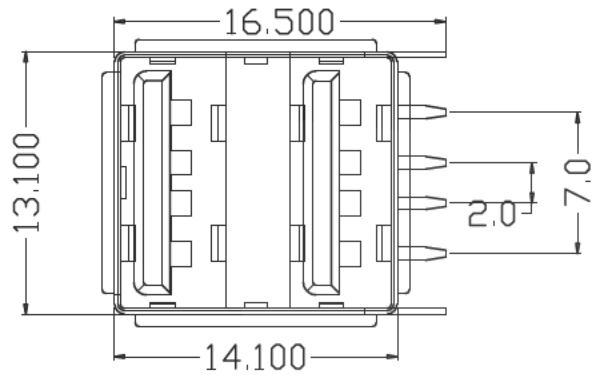
公差一覽表
 TOLERANCE UNLESS OTHERWISE SPECIFIED
 .X±0.15 X±.5°
 .XX±0.05 .X±2°
 .XXX±0.02 .XX±1°



深圳市裕诚电子有限公司
 SHENZHEN YUCHENG ELECTRONICS CO., LTD

| | | | | | |
|-----------------------|--------------------|---------------|------------|-------------|-------|
| DWG NO. | USB-S131C-4J | 制图 DRAWING | 陈雅 | 版本 VER | AO |
| 品名 NAME | 双层90度短体13.1卷边 | 设计 DESIGN | 洪章波 | 页数 SHEET | 001 |
| WEBSITE | www.ycelectron.com | 审核 CHECKED | 魏杰 | 比例 SCALE | 1 : 1 |
| 成品图 MANUFACTURE DG | | 日期 DATE | 2016.10.20 | 单位 UNIT | MM |

符合RoHS环保要求



1. Material:

Contacts: Phosphor Bronze
 Insulator: PBT+30%
 G. F. UL 94V-0
 Shell: SPCC

2. Mechanical:

Mating: 35N max.
 Withdrawal Force: 10N min.
 Durability: 1500 cycles min.

3. Electrical:

Current-max (amps) 1.5A
 Voltage-max (volts) 30V
 Withstanding Voltage 750V AC
 Contact Resistance (ohms) 30 milliohms max insulation
 Resistance (ohms) 1000 Megohms min.

4. Plating:

Contacts: Gold And Tin Over Nickel Plated
 Shell: Nickel over all plating.

5. Environmental:

Temperature Range: -55 to 85 .

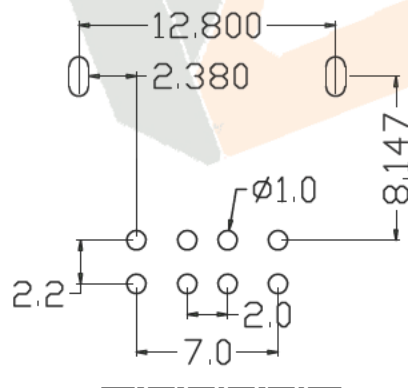
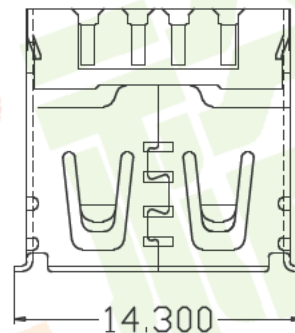
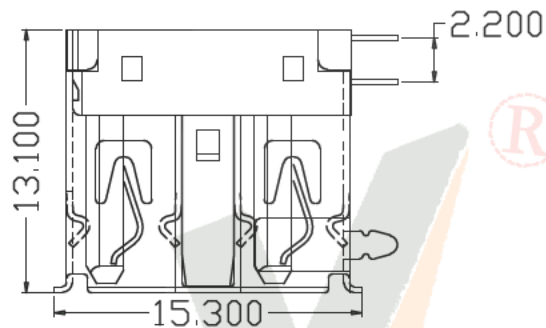
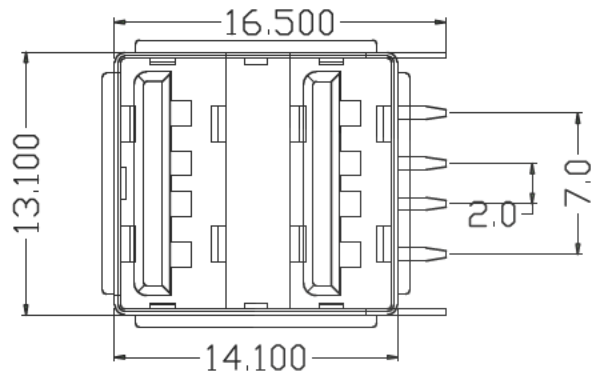
| | |
|-------------------------------------|--------|
| 公差一览表 TOLERANCE UNLESS OTHERWISE | |
| .X±0.15 | X.±5' |
| .XX±0.05 | .X±2' |
| .XXX±0.02 | .XX±1' |



深圳市裕诚电子有限公司
 SHENZHEN YUCHENG ELECTRONICS CO., LTD

| | | | | | |
|-----------------------|--------------------|---------------|------------|-------------|-------|
| DWG NO. | USB-S131C-HJ | 制图 DRAWING | 陈雅 | 版本 VER | AO |
| 品名 NAME | 双层90度短体后两脚13.1卷式 | 设计 DESIGN | 洪章波 | 页数 SHEET | 001 |
| WEBSITE | www.ycelectron.com | 审核 CHECKED | 魏杰 | 比例 SCALE | 1 : 1 |
| 成品图 MANUFACTURE DG | | 日期 DATE | 2016.10.20 | 单位 UNIT | MM |

符合RoHS环保要求



1. Material:

Contacts: Phosphore

Bronze

insulator: PBT+30%

G. F. UL 94V-0

Shell: SPCC

2. Mechanical:

Mating: 35N max.

Withdraw Force: 10N min.

Durability: 1500 cycles min.

3. Electrical:

Current-max (amps) 1.5A

Voltage-max (volts) 30V

Withstanding Voltage 750V AC

Contact Resistance (ohms) 30

milliohms max insulation

Resistance (ohms) 1000 Megohms

min.

4. Plating:

Contacts: Gold And Tin Over

Nickel Plated

Shell: Nickel over all plating.

5. Environmental:

temperature Range: -55 to 85 .

公差一览表
TOLERANCE UNLESS OTHERWISE
.X±0.15 X.±5°
.XX±0.05 .X±2°
.XXX±0.02 .XX±1°

角法
VIEW



深圳市裕诚电子有限公司
SHENZHEN YUCHENG ELECTRONICS CO., LTD

| | | | | | |
|-----------------------|--------------------|---------------|------------|-------------|-------|
| DWG NO. | USB-S131C-QJ | 制图 DRAWING | 陈雅 | 版本 VER | AO |
| 品名 NAME | 双层90度短体前两脚13.1卷过 | 设计 DESIGN | 洪章波 | 页数 SHEET | 001 |
| WEBSITE | www.ycelectron.com | 审核 CHECKED | 魏杰 | 比例 SCALE | 1 : 1 |
| 成品图 MANUFACTURE DG | | 日期 DATE | 2016.10.20 | 单位 UNIT | MM |