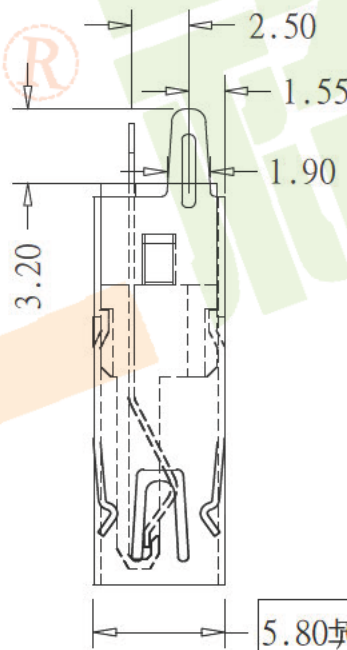
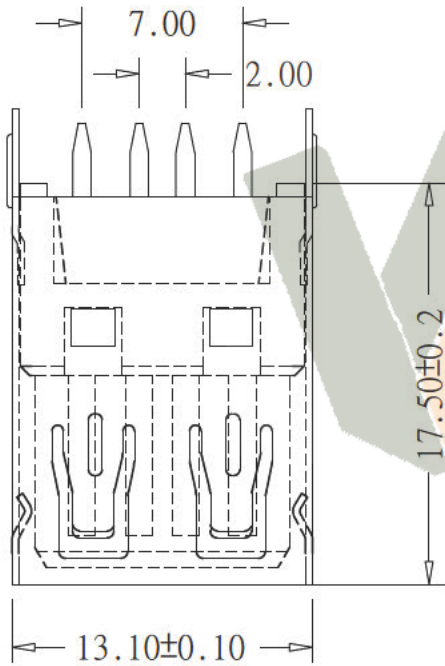
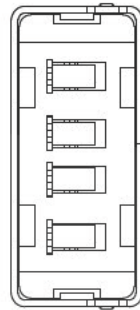
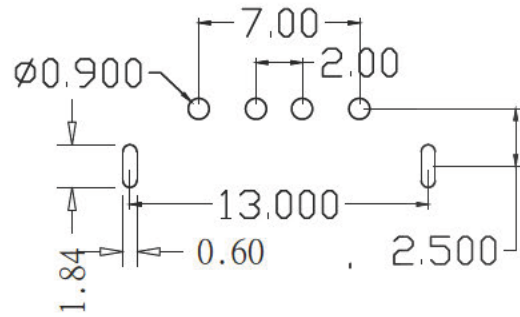


符合RoHS环保要求



规格说明: Specifications:

电气特性: Electrical:

1. 额定电流: Current Rating  
1.5A/contact terminal
2. 额定电压: Voltage Rating  
30V DC
3. 接触电阻: Contact Resistance  
30 milliohms MAX
4. 耐压: Dielectric Withstanding Voltage:  
500 V AC AT Sea Level
5. 绝缘电阻: Insulation Resistance:  
1000MEGA ohms MIN

物理性能: Mechanical:

1. 插拔力: Connector Mate and Unmate Force  
Mate force: 3.57kgf(MAX)  
Unmate force: 1.02kgf(MIN)
2. 端子保持力: Terminal Retention  
1.0kgf(MIN)

原材料: Material:

1. 塑胶: Housing:  
High Temperature Thermoplastics,
2. 端子: Contact: Copper Alloy C2680
3. 外壳: Shell: Copper Alloy C2680/SPCC

电镀: Finish:

1. 端子: Contact: Plated Gold in Mating Area  
Tin On Solder Tails

端子四周镀50U”(MIN)锡, 镀金区域镀100-200U”镀金1U”

2. 外壳: Shell:

铜壳四周镀80U”(MIN)锡

Nickel Plating



深圳市裕诚电子有限公司

SHENZHEN YUCHENG ELECTRONICS CO., LTD

5.80 产品图

PRODUCT CHART DWG

公差一览表

TOLERANCE UNLESS OTHERWISE

.X	±0.15	.X	±5°
.XX	±0.05	.X	±2°
.XXX	±0.02	.XX	±1°

www.ycelectron.com

单位  
UNITS

MM

制图  
DRAWING

陈雅

制图料号  
PRODUCT PART NO

USB-Z175Z

比例  
SCALE

1:1

审核  
CHKD

洪章波

产品名称  
PRODUCT NAME

17.5卷边直脚

日期  
DATE

2016.2.5

核准  
APPD

魏杰

角法  
VIEW



版本  
VER

A0