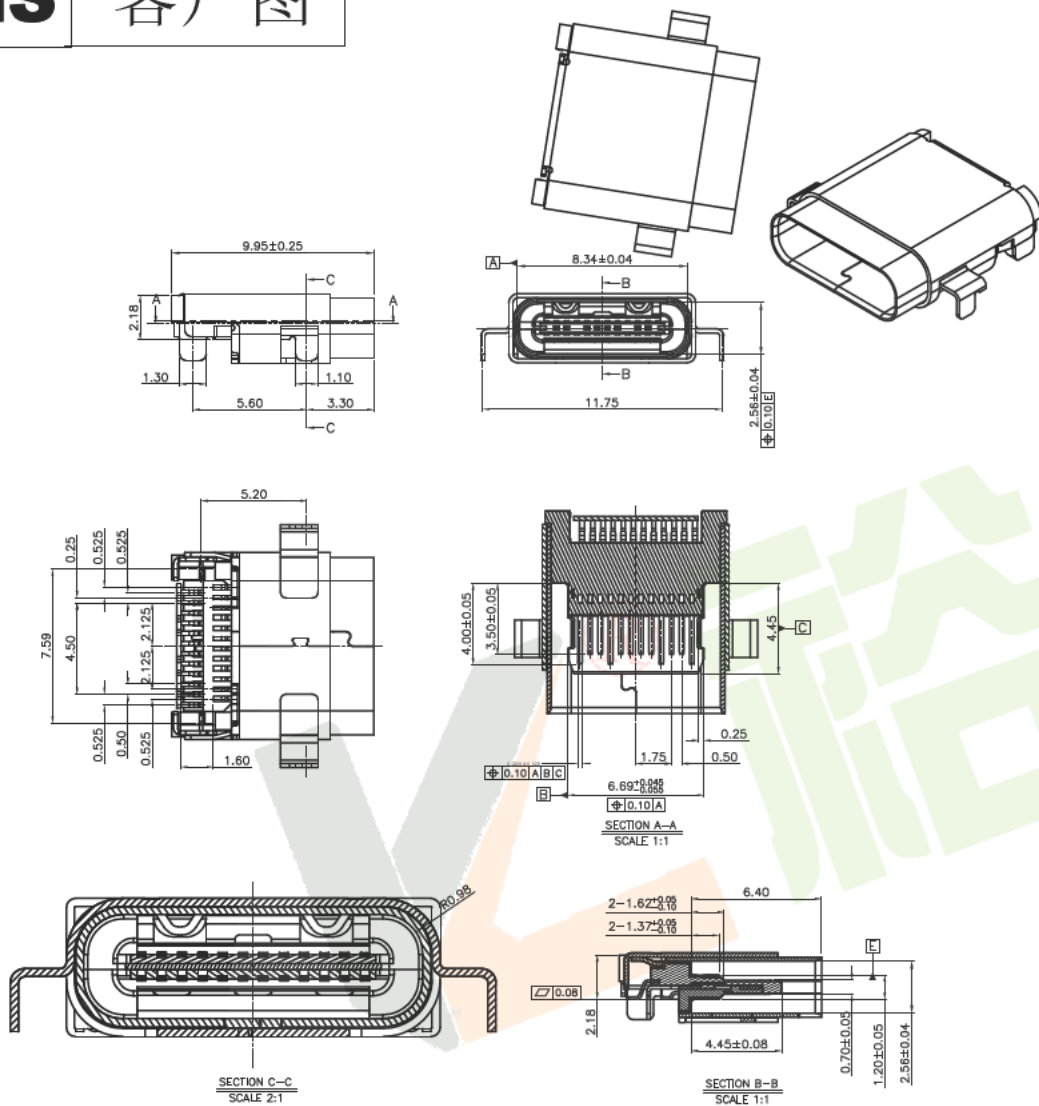


RoHS

客户图

www.ycelectron.com



- NOTES:
- MATERIAL:
MOLDING: LCP UL94 V-0
CONTACT: COPPER ALLOY.
GOLD PLATED Min ON CONTACT AREA, 100u"
Min TIN (LEAD FREE) ON SOLDER AREA,
SHELL: SUS304-H,T=0.30±0.03mm
50u" NICKEL PLATING OVER ALL.
SHILD: SUS304-H,T=0.12±0.03mm
 - MECHANICAL:
INSERTION: 5~20N.
EXTRACTION: 8~20N AFTER TEST.
DURABILITY: 10000 CYCLES
 - ELECTRICAL:
CURRENT: 5A FOR VBUS;
1.25A FOR GND PIN.
0.25A FOR OTHER.
VOLTAGE: 20 V MAX
WITHSTANDING VOLTAGE: 100V AC R.M.S.
CONTACT RESISTANCE: 40mΩ MAX.
INSULATION RESISTANCE: 100MΩ MIN.
 - ENVIRONMENTAL
TEMPERATURE RANGE -25°C ~ +85°C

产品图

PRODUCT CHART DWG



深圳市裕诚电子有限公司

SHENZHEN YUCHENG ELECTRONICS CO., LTD

公差一览表

TOLERANCE UNLESS OTHERWISE

X.	±0.30	X'	±5'
.X	±0.25	.X'	±2'
.XX	±0.30	.XX'	±1'
.XXX	±0.15	.XXX'	±0.5'

单位
UNITS

MM

制图
DRAWING

陈雅

产品料号
PRODUCT PART NO.

TYPE-C-CS12

比例
SCALE

1:1

审核
CHKD

洪章波

产品名称
PRODUCT NO.

TYPE C母座沉板1.105MM 双壳
双脚 四脚插板

日期
DATE

2016.2.5

核准
APPD

魏杰

角法
VIEW



版本
VER

A0