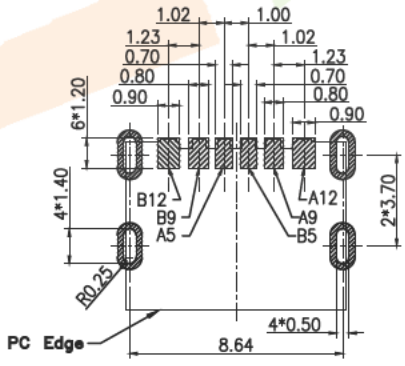
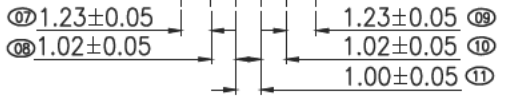
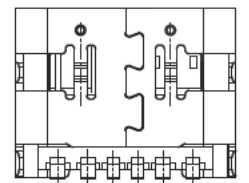
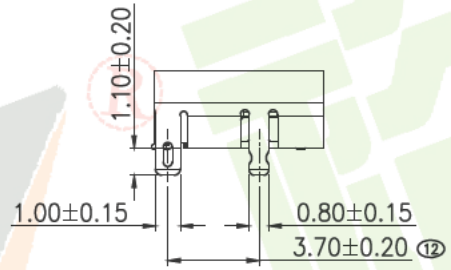
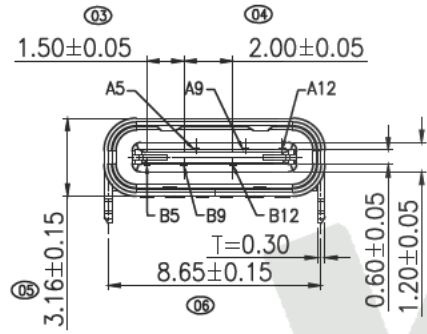


B12	GND
B9	VBUS
B5	CC2
A5	CC1
A9	VBUS
A12	GND
PIN	SIGNAL NAME

- NOTES:
- MATERIAL:**
 MOLDING: LCP UL94 V-0
 CONTACT: COPPER ALLOY.
 GOLD PLATED Min ON CONTACT AREA, 100u"
 Min TIN (LEAD FREE) ON SOLDER AREA,
 SHELL: SUS304-H, T=0.30±0.03mm
 50u" NICKEL PLATING OVER ALL.
 - MECHANICAL:**
 INSERTION: 5~20N.
 EXTRACTION: 8~20N AFTER TEST.
 DURABILITY: 10000 CYCLES
 - ELECTRICAL:**
 CURRENT: 5A FOR VBUS;
 1.25A FOR GND PIN.
 0.25A FOR OTHER.
 VOLTAGE: 20 V MAX
 WITHSTANDING VOLTAGE: 100V AC R.M.S.
 CONTACT RESISTANCE: 40mΩ MAX.
 INSULATION RESISTANCE: 100MΩ MIN.
 - ENVIRONMENTAL**
 TEMPERATURE RANGE -25°C ~ +85°C
 - 尺寸标注事项:
 图示有标示Ⓢ者为首样全检, 重点管控尺寸.
 - 产品符合RoHS标准.



RECOMMENDED P.C.B. LAYOUT
 TOLERANCE UNSPECIFIED ±0.05mm

Table:

成品料号	零件名称	零件料号	材料 / 电镀
TX	molding半成品	端子 TX	SUS 304 R-H NO PLATING
	外壳	塑胶材料 TX	SUS 301 R-H Sn 80~200u"
		TX	SUS 301 R-H 电镀切料带后.

深圳市裕诚电子有限公司
 SHENZHEN YUCHENG ELECTRONICS CO., LTD

.X: ±0.35	.X': ±1.5'	INTENDED USE:	TITLE:
.XX: ±0.25	.XX': ±1.0'	CONNECTOR	USB TYPE C 6PIN PLUG 简易版
.XXX: ±0.20	.XXX': ±0.5'	APPD.: 陈雅	TYPE-C-J06P
MAT'L: SEE NOTES		CHKD.: 洪章波	www.ycelectron.com
FINISH: 2016.2.5		DR.: 魏杰	SCALE: 1:1 PAGE: 1/1
			UNIT: mm REV.: AO