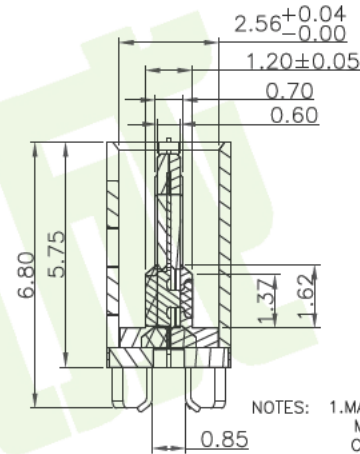
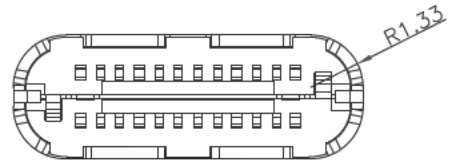
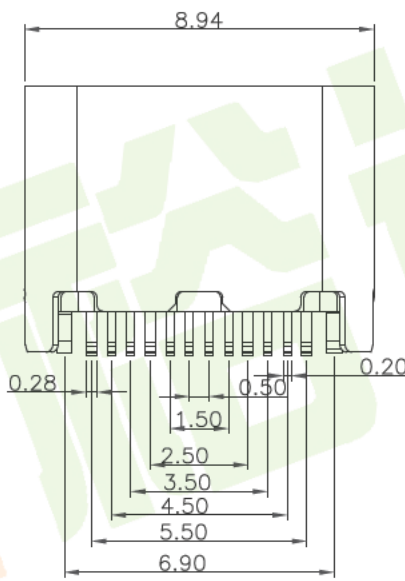


截面 1-1



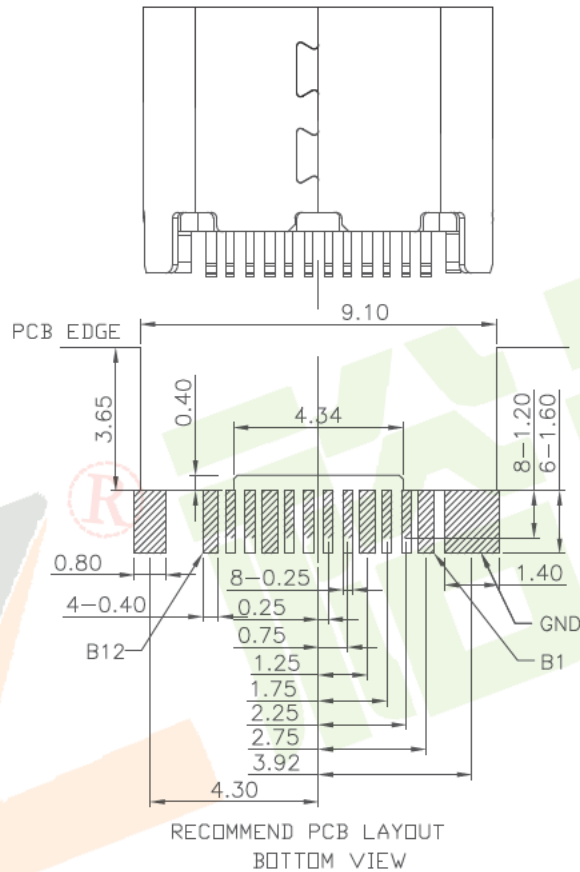
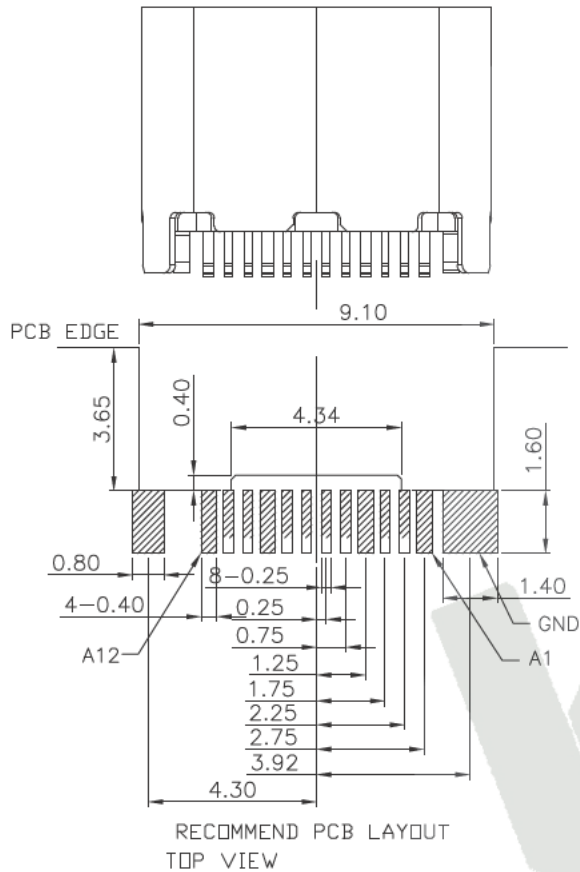
截面 A-A

- NOTES:
- 1.MATERIAL:  
MOLDING: LCP UL94 V-0  
CONTACT: COPPER ALLOY.  
GOLD PLATED Min ON CONTACT AREA, 100u"  
Min TIN (LEAD FREE) ON SOLDER AREA,  
SHELL: SUS304-H,T=0.30±0.03mm  
50u" NICKEL PLATING OVER ALL.  
SHILD: SUS304-H,T=0.12±0.03mm
  - 2.MECHANICAL:  
INSERTION: 5~20N.  
EXTRACTION: 8~20N AFTER TEST.  
DURABILITY: 10000 CYCLES
  - 3.ELECTRICAL:  
CURRENT: 5A FOR VBUS;  
1.25A FOR GND PIN.  
0.25A FOR OTHER.  
VOLTAGE: 20 V MAX  
WITHSTANDING VOLTAGE: 100V AC R.M.S.  
CONTACT RESISTANCE: 40mΩ MAX.  
INSULATION RESISTANCE: 100MΩ MIN.
  - 4.ENVIRONMENTAL  
TEMPERATURE RANGE -25°C ~ +85°C

THIS DRAWING IS A CONTROLLED DOCUMENT. (此图为宇壳公司受控文件)		DWN (绘图) 陈雅	深圳市裕诚电子有限公司 SHENZHEN YUCHENG ELECTRONICS CO., LTD
DIMENSIONS: (单位) mm		CHEK (审核) 洪章波	
TOLERANCES UNLESS OTHERWISE SPECIFIED: (自由公差参照)		APVD (核准) 魏杰	NAME (品名) USB Type-C 3.1夹板母头 短体L=5.7
THIRD ANGLE PROJECTION (第三视角)		PRODUCT SPEC (产品规格)	SIZE (尺寸) A4
0 PLC ± 0.50 1 PLC ± 0.30 2 PLC ± 0.20 3 PLC ± 0.15 4 PLC ± - ANGLES ± 3° (角度公差)		2016.2.5	TYPE-C-J57D
		www.ycelectron.com	SCALE (比例) 1 : 1
			SHEET (页码) 1 OF 2



USB TYPE-C FULL-FEATURED RECEPTACLE INTERFACE PIN ASSIGNMENTS



RECOMMENDED P.C.B. LAYOUT (T:0.80mm)  
TOLERANCE UNSPECIFIED ±0.05mm

PIN	Signal Name	Description	PIN	Signal Name	Description
A1	GND	Ground return	B12	GND	Ground return
A2	SSTXp1	Positive half of first SuperSpeed TX differential pair	B11	SSRXp1	Positive half of first SuperSpeed RX differential pair
A3	SSTXn1	Negative half of first SuperSpeed TX differential pair	B10	SSRXn1	Negative half of first SuperSpeed RX differential pair
A4	VBUS	Bus Power	B9	VBUS	Bus Power
A5	CC1	Configuration Channel	B8	SBU2	Sideband Use (SBU)
A6	Dp1	Positive half of the USB 2.0 differential pair-Position 1	B7	Dn2	Negative half of the USB 2.0 differential pair-Position 2
A7	Dn1	Negative half of the USB 2.0 differential pair-Position 1	B6	Dp2	Positive half of the USB 2.0 differential pair-Position 2
A8	SBU1	Sideband Use (SBU)	B5	CC2	Configuration Channel
A9	VBUS	Bus Power	B4	VBUS	Bus Power
A10	SSRXn2	Negative half of second SuperSpeed RX differential pair	B3	SSTXn2	Negative half of second SuperSpeed TX differential pair
A11	SSRXp2	Positive half of second SuperSpeed RX differential pair	B2	SSTXp2	Positive half of second SuperSpeed TX differential pair
A12	GND	Ground return	B1	GND	Ground return

THIS DRAWING IS A CONTROLLED DOCUMENT.  
(此图为宇壳公司受控文件)

DIMENSIONS: (单位)  
mm



THIRD ANGLE PROJECTION  
(第三视角)

TOLERANCES UNLESS OTHERWISE SPECIFIED:  
(自由公差参照)

0 PLC ± 0.50  
1 PLC ± 0.30  
2 PLC ± 0.20  
3 PLC ± 0.15  
4 PLC ± -

ANGLES ± 3'

DWN (绘图) 陈雅  
A. WU

CHEK (审核) 洪章波  
S. CHIEN

APVD (核准) 魏杰  
Abel

PRODUCT SPEC (产品规格)

2016.2.5



深圳市裕诚电子有限公司  
SHENZHEN YUCHENG ELECTRONICS CO., LTD

NAME (品名)

USB Type-C 3.1夹板母头 短体L=5.7

SIZE (尺寸)

A4

TYPE-C-J57D

www.ycelectron.com

SCALE (比例) 1 : 1

SHEET (页码) 2 OF 2