

NOTES:

- 1.MATERIAL:
MOLDING: LCP UL94 V-0
CONTACT:COPPER ALLOY.
GOLD PLATED 30u" Min ON CONTACT AREA,100u"
Min TIN (LEAD FREE) ON SOLDER AREA,
SHELL: SUS304-H,T=0.30±0.03mm
50u" NICKEL PLATING OVER ALL.
SHILD:SUS304-H,T=0.12±0.03mm
- 2.MECHANICAL:
INSERTION: 5~20N.
EXTRACTION: 8~20N.
DURABILITY: 10000 CYCLES
- 3.ELECTRICAL:
CURRENT: 5A MIN FOR VBUS;
0.25A MIN FOR OTHER.
VOLTAGE: 5VAC MAX
WITHSTANDING VOLTAGE: 100V AC.
CONTACT RESISTANCE: 40mΩ MAX.
INSULATION RESISTANCE: 100MΩ MIN.
- 4.ENVIRONMENTAL
TEMPERATURE RANGE -55°C ~ +85°C

FUC - R - 24 4 X - 04 - X - X

包裝:
T: TARY(盒子)
U:TUBE(管)
R:TAPE&REEL(卷)

散芯顏色:
B: BLCK
N: NATURE

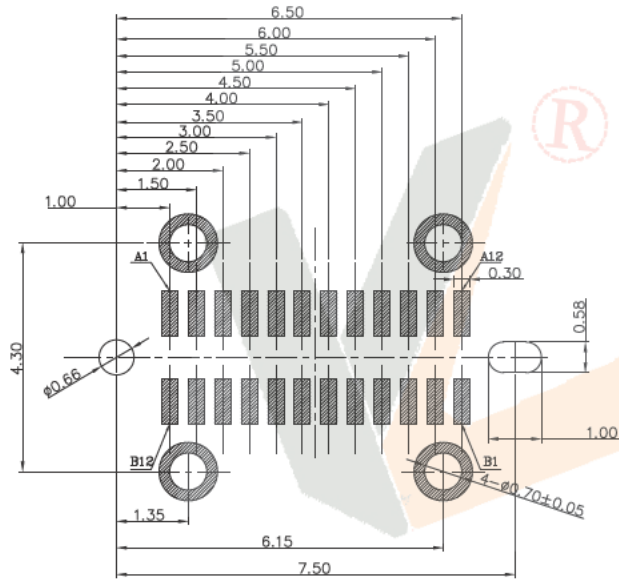
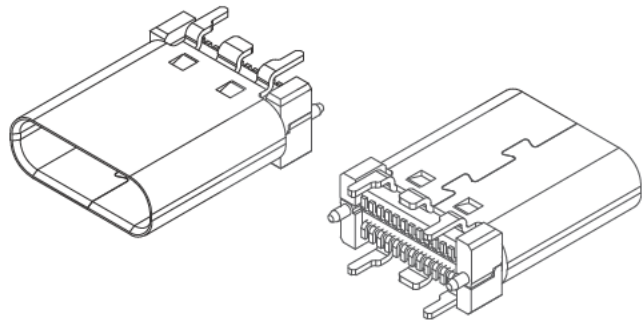
Series No.

端芯形态:
1:RIGHT ANGLE DIP
2:STRAIGHT DIP
3:RIGHT ANGLE SMT
4:STRAIGHT SMT
5:Split(夹板式)

K: GOLD FLASH PLATING ON CONTACT AREA
Matte Tin PLATING ON SOLDER AREA
M: 5u" GOLD PLATING ON CONTACT AREA
Matte Tin PLATING ON SOLDER AREA
P: 15u" GOLD PLATING ON CONTACT AREA
Matte Tin PLATING ON SOLDER AREA
U: 30u" GOLD PLATING ON CONTACT AREA
Matte Tin PLATING ON SOLDER AREA

RoHS Compliant

TOLERANCE UNSPECIFIED		深圳市裕诚电子有限公司 SHENZHEN YUCHENG ELECTRONICS CO., LTD	
. ±0.50		TITLE:USB 3.1 C TYPE FEMALE STRAIGHT CONNECTOR	
.0 ±0.38		SIZE:A4	UNIT:mm.
.00 ±0.25		TYPE-C-LT15	
.000 ±0.10		SCALE: 1:1	PROJECTION
ANGLE ±3.00°		2016.2.5	REV.: X2
MANUFACTURING COPY		www.ycelectron.com	SHEET:1/4
DRAWN BY:	陈雅		
CHECKED BY:	洪章波		
APPROVED BY:	魏杰		





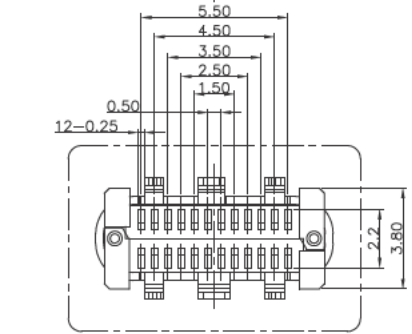
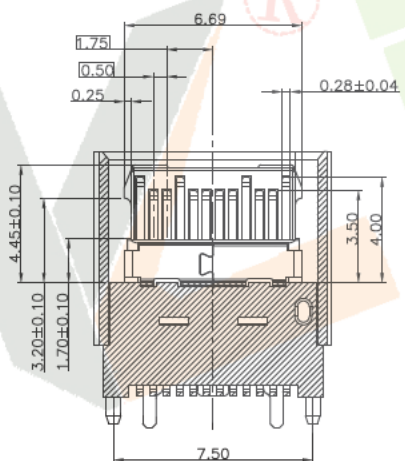
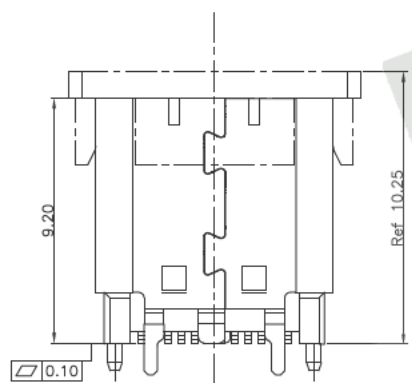
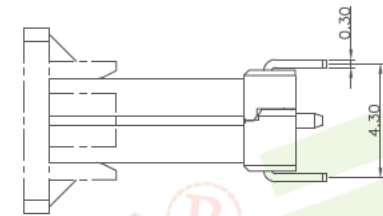
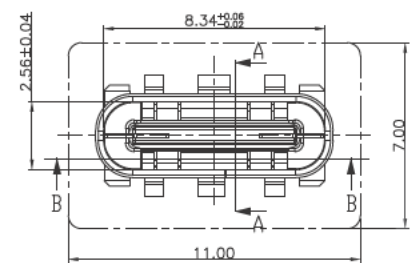
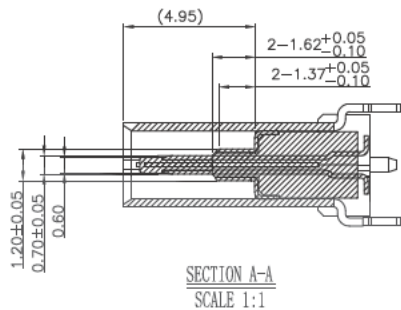
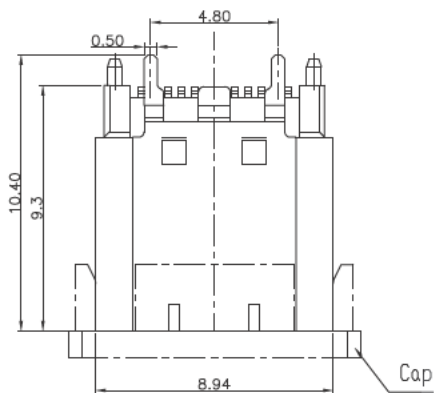
RECOMMENDED P.C.B. LAYOUT (T:1.00mm)
 TOLERANCE UNSPECIFIED ±0.05mm
 SCALE: 2:1

USB TYPE-C FULL-FEATURED RECEPTACLE INTERFACE PIN ASSIGNMENTS

PIN	Signal Name	Description	PIN	Signal Name	Description
A1	GND	Ground return	B12	GND	Ground return
A2	SSTXp1	Positive half of first SuperSpeed TX differential pair	B11	SSTXp1	Positive half of first SuperSpeed TX differential pair
A3	SSTXn1	Negative half of first SuperSpeed TX differential pair	B10	SSTXn1	Negative half of first SuperSpeed TX differential pair
A4	VBUS	Bus Power	B9	VBUS	Bus Power
A5	CC1	Configuration Channel	B8	CC1	Configuration Channel
A6	Dp1	Positive half of the USB 2.0 differential pair-Position 1	B7	Dp1	Positive half of the USB 2.0 differential pair-Position 1
A7	Dn1	Negative half of the USB 2.0 differential pair-Position 1	B6	Dn1	Negative half of the USB 2.0 differential pair-Position 1
A8	RFU1	Reserved for Future Use (RFU)	B5	RFU1	Reserved for Future Use (RFU)
A9	VBUS	Bus Power	B4	VBUS	Bus Power
A10	SSRXn2	Negative half of second SuperSpeed RX differential pair	B3	SSRXn2	Negative half of second SuperSpeed RX differential pair
A11	SSRXp2	Positive half of second SuperSpeed RX differential pair	B2	SSRXp2	Positive half of second SuperSpeed RX differential pair
A12	GND	Ground return	B1	GND	Ground return

RoHS Compliant

TOLERANCE UNSPECIFIED . ±0.50 .0 ±0.38 .00 ±0.25 .000 ±0.10 ANGLE ±3.00° MANUFACTURING COPY		 深圳市裕诚电子有限公司 SHENZHEN YUCHENG ELECTRONICS CO., LTD	
TITLE:USB 3.1 C TYPE FEMALE STRAIGHT CONNECTOR			
DRAWN BY:	陈雅	SIZE:A4	UNIT:mm.
CHECKED BY:	洪章波	SCALE: 1:1	PROJECTION 
APPROVED BY:	魏杰	2016.2.5	www.ycelectron.com
		TYPE-C-LT15	
		REV.: X2	
		SHEET: 2/4	



NOTES:

- 1.MATERIAL:
 MOLDING: LCP UL94 V-0
 CONTACT:COPPER ALLOY.
 GOLD PLATED 30u" Min ON CONTACT AREA,100u"
 Min TIN (LEAD FREE) ON SOLDER AREA,
 SHELL: SUS304-H,T=0.30±0.03mm
 50u" NICKEL PLATING OVER ALL.
 SHILD:SUS304-H,T=0.12±0.03mm
- 2.MECHANICAL:
 INSERTION: 5~20N.
 EXTRACTION: 8~20N.
 DURABILITY: 10000 CYCLES
- 3.ELECTRICAL:
 CURRENT: 5A MIN FOR VBUS;
 0.25A MIN FOR OTHER.
 VOLTAGE: 5VAC MAX
 WITHSTANDING VOLTAGE: 100V AC.
 CONTACT RESISTANCE: 40mΩ MAX.
 INSULATION RESISTANCE: 100MΩ MIN.
- 4.ENVIRONMENTAL
 TEMPERATURE RANGE -55°C ~ +85°C

FUC - R - 24 4 X - 14 - X - X

包裝:
 T: TARY(盒子)
 U:TUBE(管)
 R:TAPE&REEL(卷)

散芯顏色:
 B: BLCK
 N: NATURE

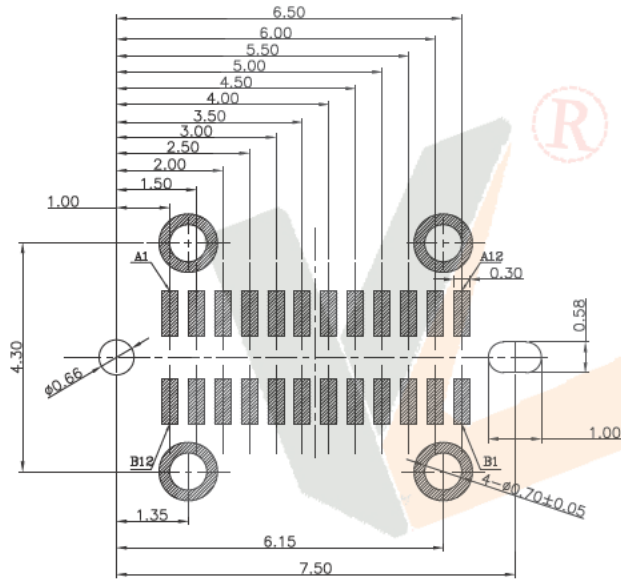
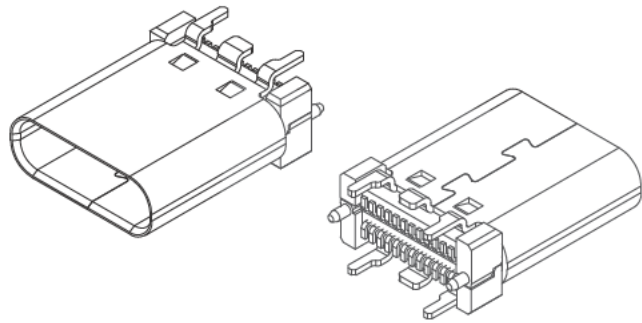
Series No.

端芯形态:
 1.RIGHT ANGLE DIP
 2.STRAIGHT DIP
 3.RIGHT ANGLE SMT
 4.STRAIGHT SMT
 5.Splnt(夹板式)

K: GOLD FLASH PLATING ON CONTACT AREA
 Matte Tin PLATING ON SOLDER AREA
 M: 5u" GOLD PLATING ON CONTACT AREA
 Matte Tin PLATING ON SOLDER AREA
 P: 15u" GOLD PLATING ON CONTACT AREA
 Matte Tin PLATING ON SOLDER AREA
 U: 30u" GOLD PLATING ON CONTACT AREA
 Matte Tin PLATING ON SOLDER AREA

RoHS Compliant

TOLERANCE UNSPECIFIED		深圳市裕诚电子有限公司 SHENZHEN YUCHENG ELECTRONICS CO., LTD		
.	±0.50			
.0	±0.38	TITLE:USB 3.1 C TYPE FEMALE STRAIGHT CONNECTOR(L=9.3mm)		
.00	±0.25			
.000	±0.10			
ANGLE	±3.00°			
MANUFACTURING COPY				
DRAWN BY:	陈雅	SIZE:A4	UNIT:mm.	TYPE-C-LT13
CHECKED BY:	洪章波	SCALE: 1:1	PROJECTION	REV.: X2
APPROVED BY:	魏杰	2016.2.5	www.ycelectron.com	SHEET:1/4





RECOMMENDED P.C.B. LAYOUT (T:1.00mm)
 TOLERANCE UNSPECIFIED ±0.05mm
 SCALE: 2:1

USB TYPE-C FULL-FEATURED RECEPTACLE INTERFACE PIN ASSIGNMENTS

PIN	Signal Name	Description	PIN	Signal Name	Description
A1	GND	Ground return	B12	GND	Ground return
A2	SSTXp1	Positive half of first SuperSpeed TX differential pair	B11	SSTXp1	Positive half of first SuperSpeed TX differential pair
A3	SSTXn1	Negative half of first SuperSpeed TX differential pair	B10	SSTXn1	Negative half of first SuperSpeed TX differential pair
A4	VBUS	Bus Power	B9	VBUS	Bus Power
A5	CC1	Configuration Channel	B8	CC1	Configuration Channel
A6	Dp1	Positive half of the USB 2.0 differential pair-Position 1	B7	Dp1	Positive half of the USB 2.0 differential pair-Position 1
A7	Dn1	Negative half of the USB 2.0 differential pair-Position 1	B6	Dn1	Negative half of the USB 2.0 differential pair-Position 1
A8	RFU1	Reserved for Future Use (RFU)	B5	RFU1	Reserved for Future Use (RFU)
A9	VBUS	Bus Power	B4	VBUS	Bus Power
A10	SSRXn2	Negative half of second SuperSpeed RX differential pair	B3	SSRXn2	Negative half of second SuperSpeed RX differential pair
A11	SSRXp2	Positive half of second SuperSpeed RX differential pair	B2	SSRXp2	Positive half of second SuperSpeed RX differential pair
A12	GND	Ground return	B1	GND	Ground return

RoHS Compliant

TOLERANCE UNSPECIFIED . ±0.50 .0 ±0.38 .00 ±0.25 .000 ±0.10 ANGLE ±3.00° MANUFACTURING COPY		 深圳市裕诚电子有限公司 SHENZHEN YUCHENG ELECTRONICS CO., LTD	
		TITLE:USB 3.1 C TYPE FEMALE STRAIGHT CONNECTOR(L=9.3mm)	
DRAWN BY: 陈雅	SIZE:A4	UNIT:mm.	TYPE-C-LT13
CHECKED BY: 洪章波	SCALE: 1:1	PROJECTION 	REV.: X2
APPROVED BY: 魏杰	2016.2.5	www.ycelectron.com	SHEET:2/4