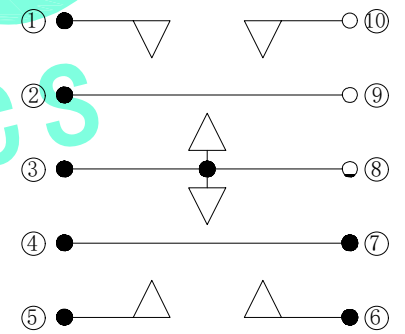
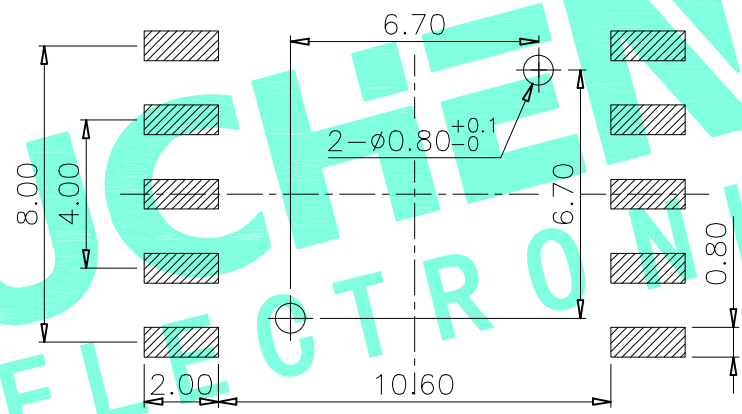
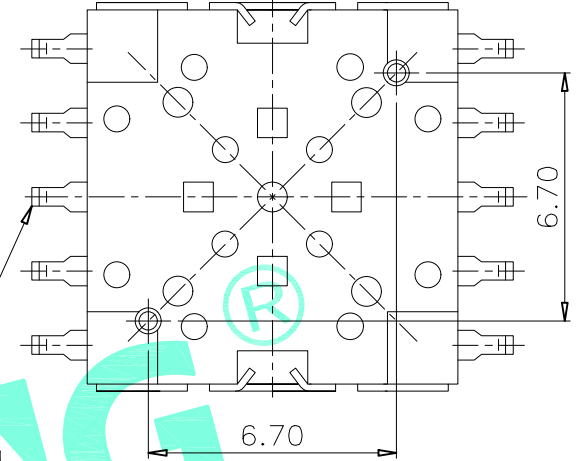
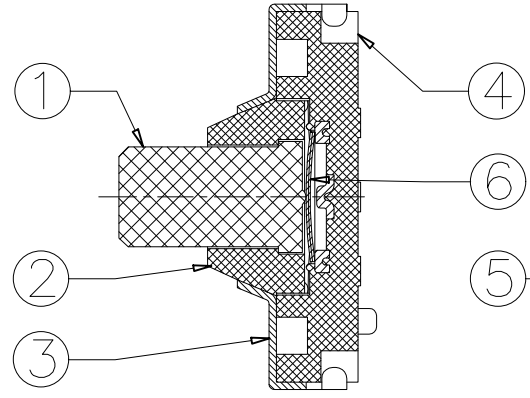
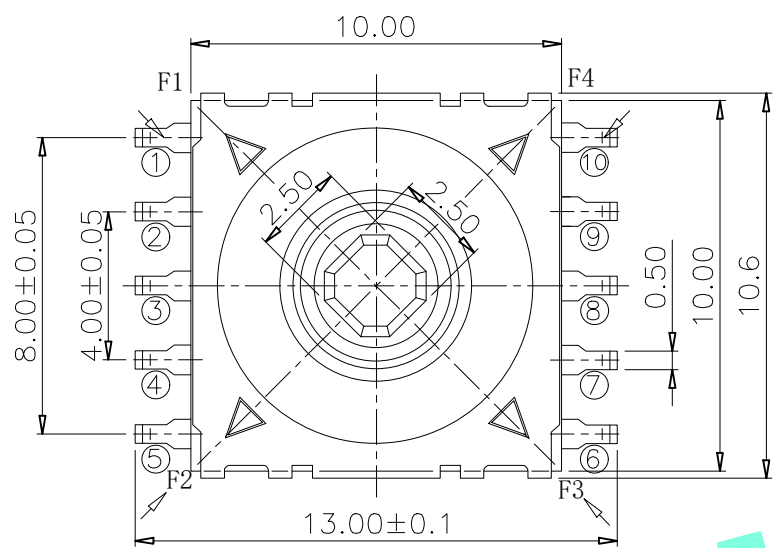


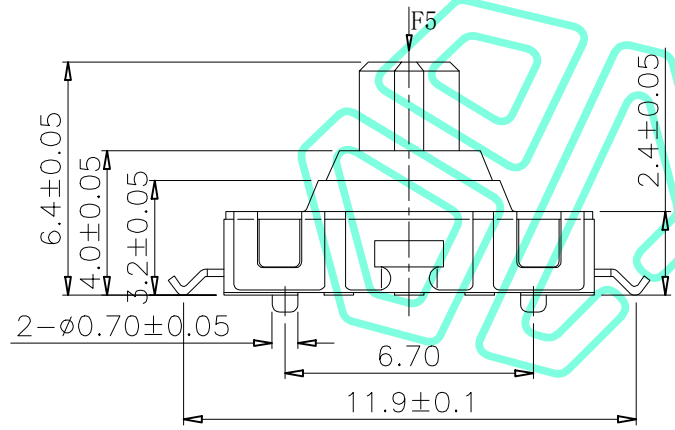
RoHS Compliant

REV. A/0	DESCRIPTION NEW	DESIGN CWF	DATE
----------	-----------------	------------	------



PCB Layout(Pattern side)

Circuit Diagram



NOTE:
Operating Force:
lever portion 4-180 ± 50 gf
Push portion 250 ± 50 gf

	1	2	3	4	5	6	7	8	9	10
F1	○	○							○	
F2			○	○	○					
F3			○		○	○				
F4	○							○	○	
F5	○	○	○		○	○	○			

⑥	Contact	6	F.Ag/SUS	Natural
⑤	Terminal	10	Brass(0.20t)	Plating silver
④	Base	1	LCP	Black
③	Cover	1	SUS	Natural
②	Axle sleeve	1	LCP	Black
①	Keystoke	1	LCP	Black
ITEM	PART NAME	QTY.	MATERIAL	FINISHING

THESE DRAWINGS AND SPECIFICATIONS ARE THE PROPERTY OF SHENZHEN YUCHENG ELECTRONICS,LTD.AND SHALL NOT BE REPRODUCED,COPIED OR USED IN ANY MANNER WITHOUT THE PRIOR WRITTEN CONSENT OF SHENZHEN YUCHENG ELECTRONICS,LTD

APPROVED: WEI JIE
CHECKED: HONG JIN YUN
DRAWING: CHEN YA

UCHENG ELECTRONICS 深圳市裕诚电子有限公司
SHENZHEN YUCHENG ELECTRONICS CO.,LTD

GENERAL TOLERANCES	TITLE:	MULTIFUNCTION SWITCH		
30~以上 ±0.30	PART NO:	M1-5237G		
10~30 ±0.20	WEBSITE:	www.ycelectron.com		
5~10 ±0.15	REV: A	UNIT: mm	SCALE: /	SHEET: A4
~ 5 ±0.10	SHEET: 1 / 1			