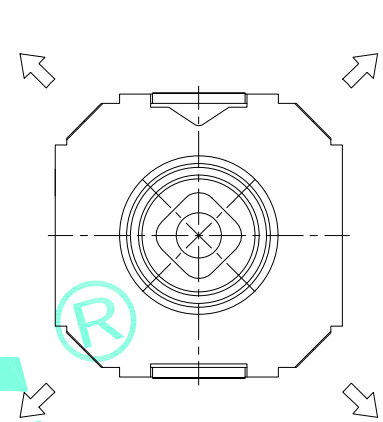
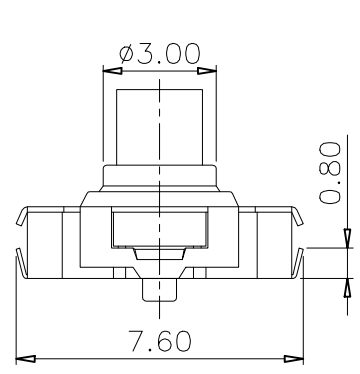
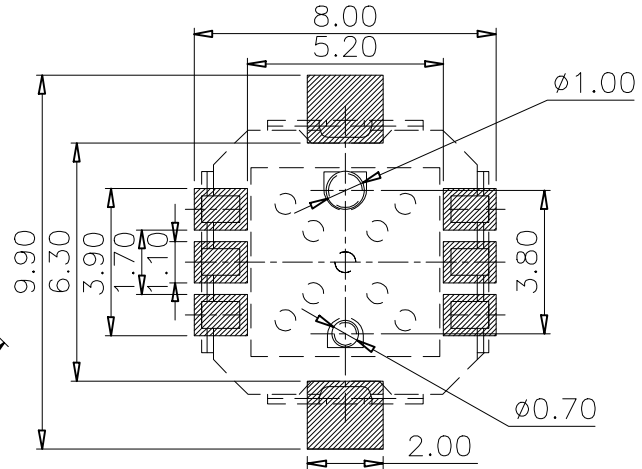
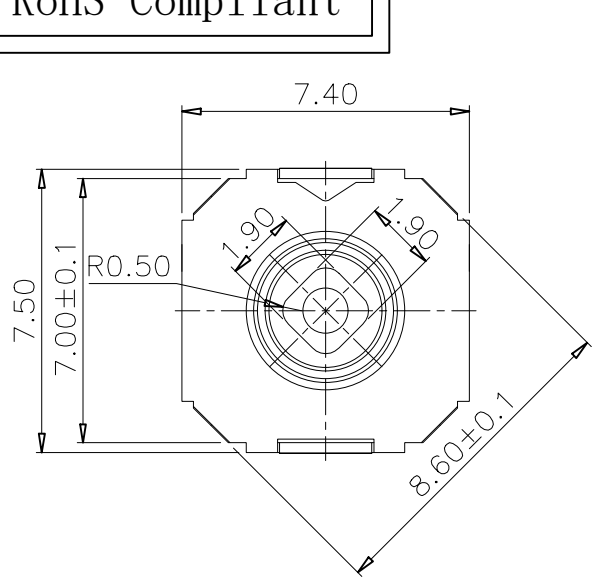


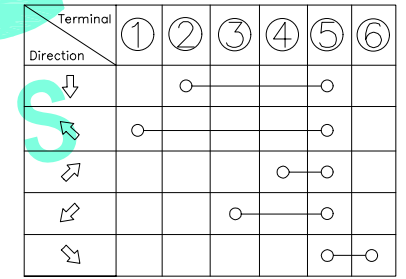
RoHS Compliant

REV. A/0	DESCRIPTION NEW	DESIGN CWF	DATE
----------	-----------------	------------	------



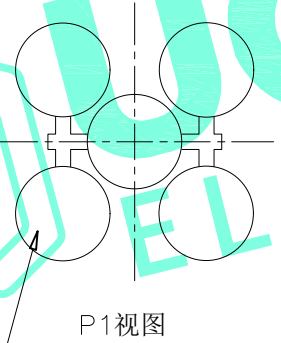
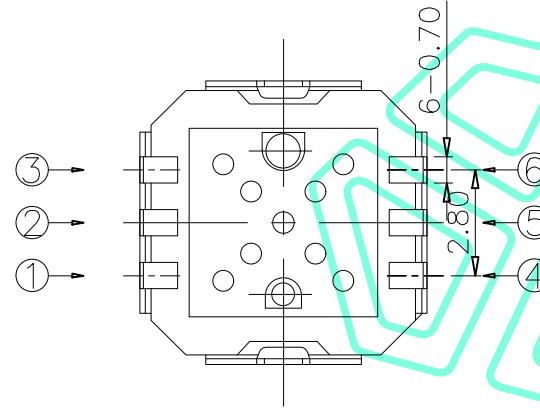
PCB Layout (Pattern Side)

PART NO.	H
M1-5379S-H5.0	5.0
M1-5379S-H6.0	6.0

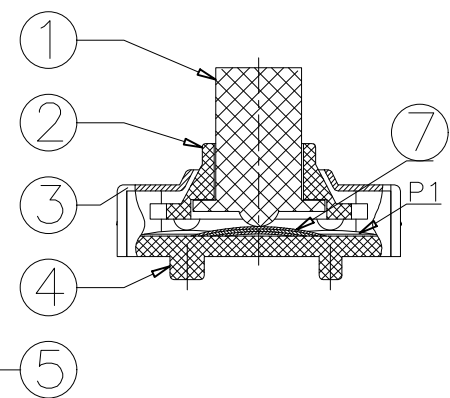
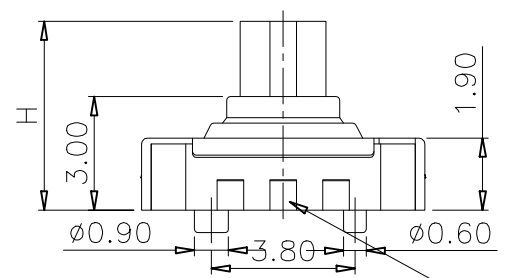


Circuit Diagram

NOTE:  
 Operating Force:  
 lever portion: 170 ± 35 gf  
 Push portion: 250gf, 350gf, 450gf



P1视图



⑦	Mylar	1	Natural	——
⑥	Contact 1	1	F.Ag/SUS	——
⑤	Terminal	6	Brass(0.15t)	Plating silver
④	Base	1	LCP	Black
③	Cover	1	SUS	——
②	Axle sleeve	1	LCP	Black
①	Keystoke	1	PA46	Black
ITEM	PART NAME	QTY.	MATERIAL	FINISHING

THESE DRAWINGS AND SPECIFICATIONS ARE THE PROPERTY OF SHENZHEN YUCHENG ELECTRONICS, LTD. AND SHALL NOT BE REPRODUCED, COPIED OR USED IN ANY MANNER WITHOUT THE PRIOR WRITTEN CONSENT OF SHENZHEN YUCHENG ELECTRONICS, LTD.

APPROVED: WEI JIE  
 CHECKED: HONG JIN YUN  
 DRAWING: CHEN YA

**YUCHENG ELECTRONICS** 深圳市裕诚电子有限公司  
 SHENZHEN YUCHENG ELECTRONICS CO.,LTD

GENERAL TOLERANCES	TITLE:	MULTIFUNCTION SWITCH
30~以上 ±0.30	PART NO.:	M1-5379S
10~30 ±0.20	WEBSITE:	www.ycelectron.com
5~10 ±0.15	REV: A	UNIT: mm SCALE: / SHEET: A4
~ 5 ±0.10	SHEET: 1 / 1	