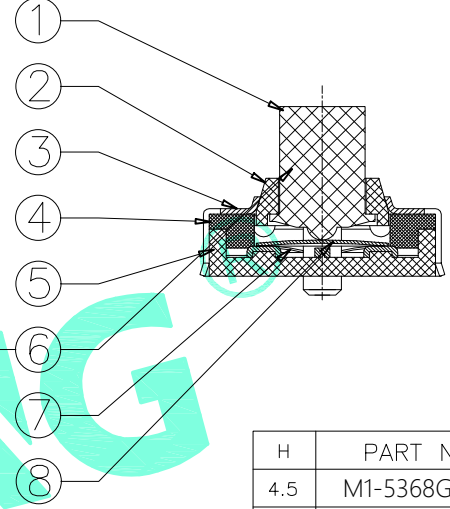
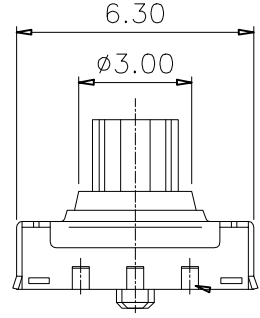
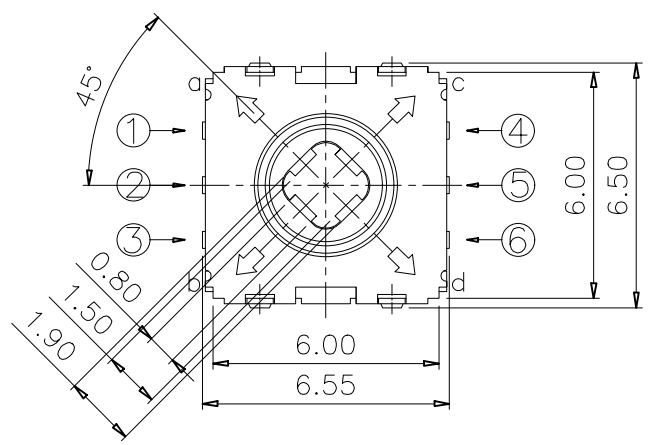


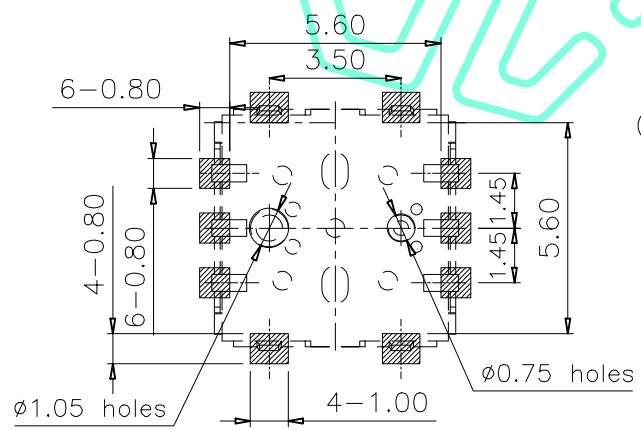
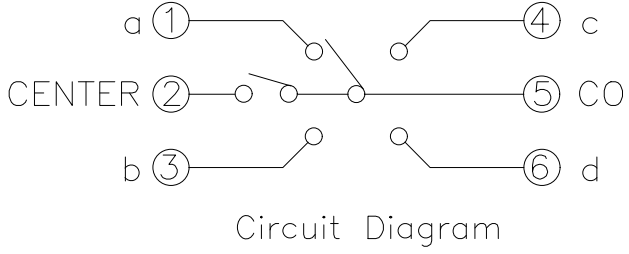
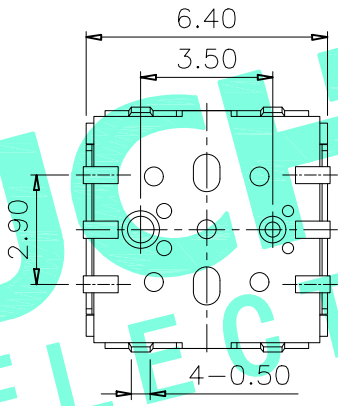
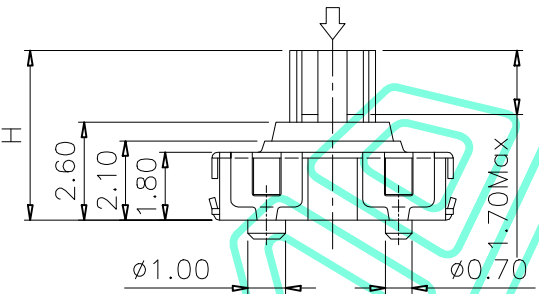
RoHS Compliant

REV. A/0	DESCRIPTION NEW	DESIGN CWF	DATE
----------	-----------------	------------	------



H	PART NO.
4.5	M1-5368G-H4.5
5.0	M1-5368G-H5.0

NOTE:
Operating Force:
lever portion 160 ± 35 gf
Push portion 250 ± 35 gf



ITEM	PART NAME	QTY.	MATERIAL	FINISHING
⑧	Contact 2	1	F.Ag/SUS/ $\phi 3.5$	Natural
⑦	Contact 1	4	F.Ag/SUS/ $\phi 2.4$	Natural
⑥	Terminal	6	Brass(0.15t)	Plating silver
⑤	Base	1	LCP	Black
④	Gasket	1	LCP	Black
③	Cover	1	Brass(0.15t)	Plating silver
②	Axle sleeve	1	LCP	Ivory Tint
①	Keystoke	1	PA46	Black

THESE DRAWINGS AND SPECIFICATIONS ARE THE PROPERTY OF SHENZHEN YUCHENG ELECTRONICS,LTD AND SHALL NOT BE REPRODUCED, COPIED OR USED IN ANY MANNER WITHOUT THE PRIOR WRITTEN CONSENT OF SHENZHEN YUCHENG ELECTRONICS,LTD

APPROVED: WEI JIE
CHECKED: HONG JIN YUN
DRAWING: CHEN YA

YUCHENG ELECTRONICS 深圳市裕诚电子有限公司
SHENZHEN YUCHENG ELECTRONICS CO.,LTD

GENERAL TOLERANCES	TITLE:	MULTIFUNCTION SWITCH
30~以上 ± 0.30	PART NO.:	M1-5368G
10~30 ± 0.20	WEBSITE:	www.ycelectron.com
5~10 ± 0.15	REV: A	UNIT: mm SCALE: / SHEET: A4
~ 5 ± 0.10	SHEET: 1 / 1	

PCB Layout(Pattern Side)