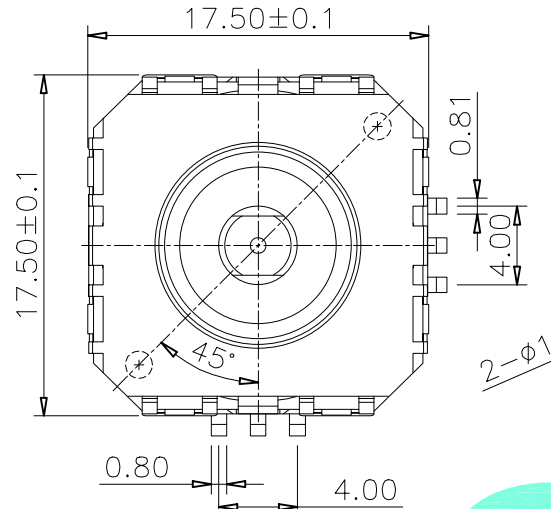
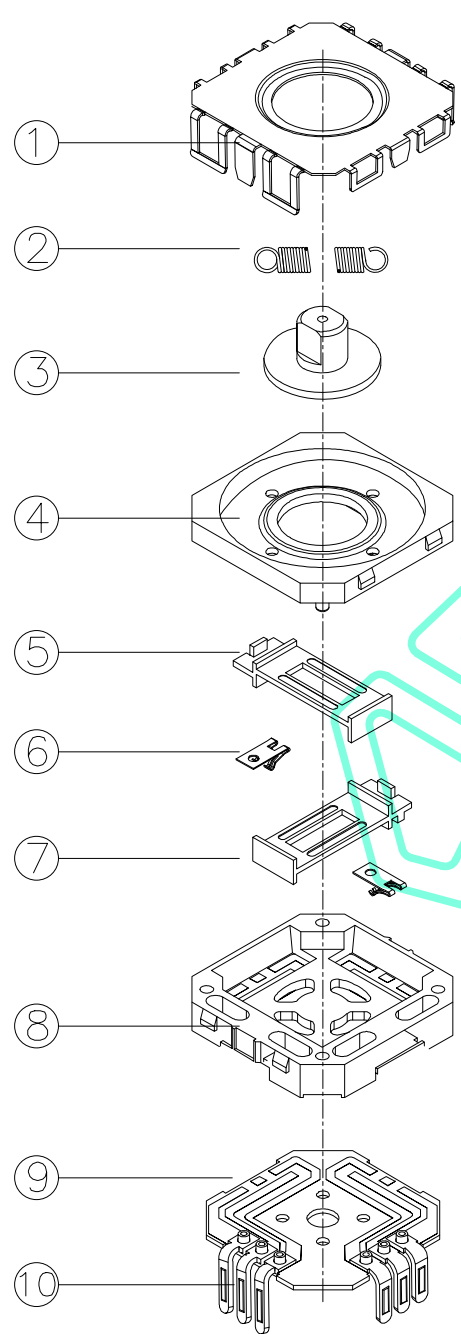
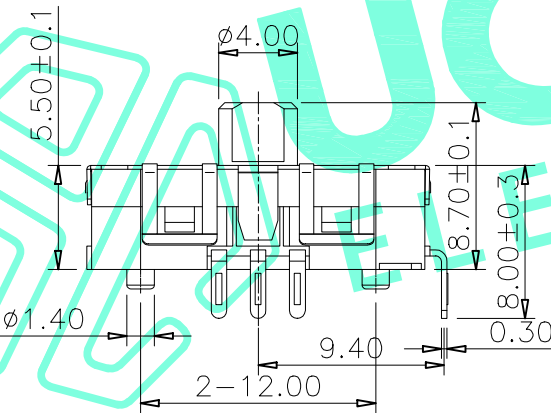


RoHS Compliant

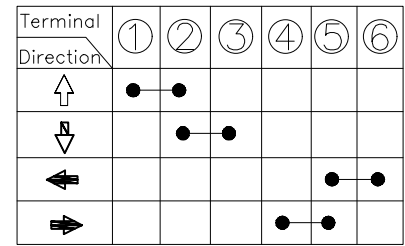
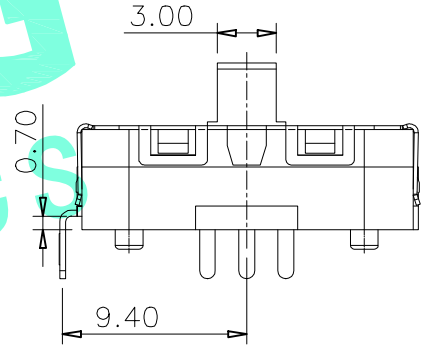
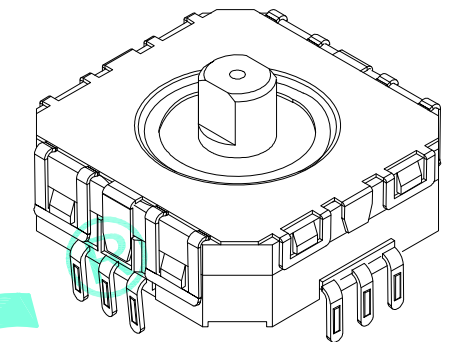
| | | | |
|----------|-----------------|------------|------|
| REV. A/0 | DESCRIPTION NEW | DESIGN CWF | DATE |
|----------|-----------------|------------|------|



PCB Layout (Pattern Side)



NOTE:
Operating Force: 50gf-180gf Max



Circuit Diagram

| ITEM | PART NAME | QTY. | MATERIAL | FINISHING |
|------|---------------|------|--------------|----------------|
| ⑩ | Terminal | 6 | H65(0.3t) | Plating silver |
| ⑨ | PCB | 1 | FR4 | --- |
| ⑧ | Base | 1 | PPA | Black |
| ⑦ | Movable pin 2 | 1 | LCP | White |
| ⑥ | Contact | 2 | Brass(0.10t) | Plating silver |
| ⑤ | Movable pin 1 | 1 | LCP | White |
| ④ | Cover 2 | 1 | FR52 | Black |
| ③ | Rocker | 1 | FR52 | Black |
| ② | spring | 1 | SUS | --- |
| ① | Cover 1 | 1 | SUS | White |

THESE DRAWINGS AND SPECIFICATIONS ARE THE PROPERTY OF SHENZHEN YUCHENG ELECTRONICS, LTD. AND SHALL NOT BE REPRODUCED, COPIED OR USED IN ANY MANNER WITHOUT THE PRIOR WRITTEN CONSENT OF SHENZHEN YUCHENG ELECTRONICS, LTD.

APPROVED: WEI JIE
CHECKED: HONG JIN YUN
DRAWING: CHEN YA

YUCHENG ELECTRONICS 深圳市裕诚电子有限公司
SHENZHEN YUCHENG ELECTRONICS CO., LTD

| | | | | |
|--------------------|----------|----------------------|----------|-----------|
| GENERAL TOLERANCES | TITLE: | MULTIFUNCTION SWITCH | | |
| 30~以上 ±0.30 | PART NO: | M1-5245D | | |
| 10~30 ±0.20 | WEBSITE: | www.ycelectron.com | | |
| 5~10 ±0.15 | REV: A | UNIT: mm | SCALE: / | SHEET: A4 |
| ~ 5 ±0.10 | | | | |
| SHEET: 1 / 1 | | | | |