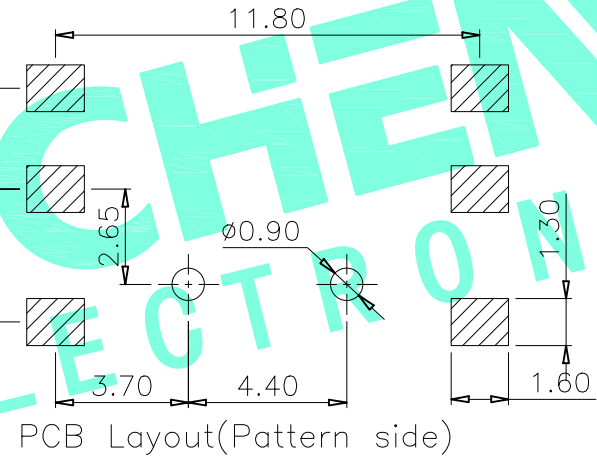
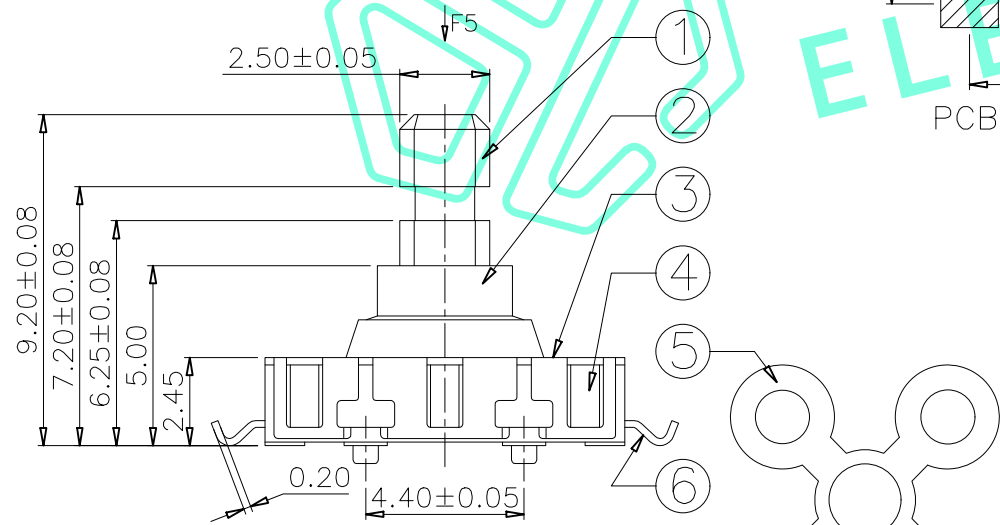
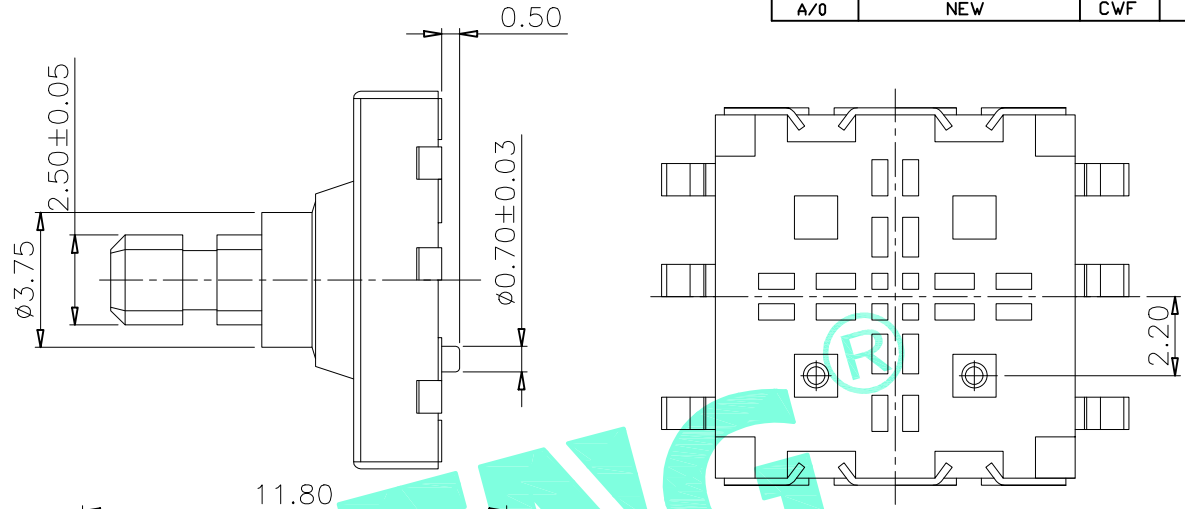
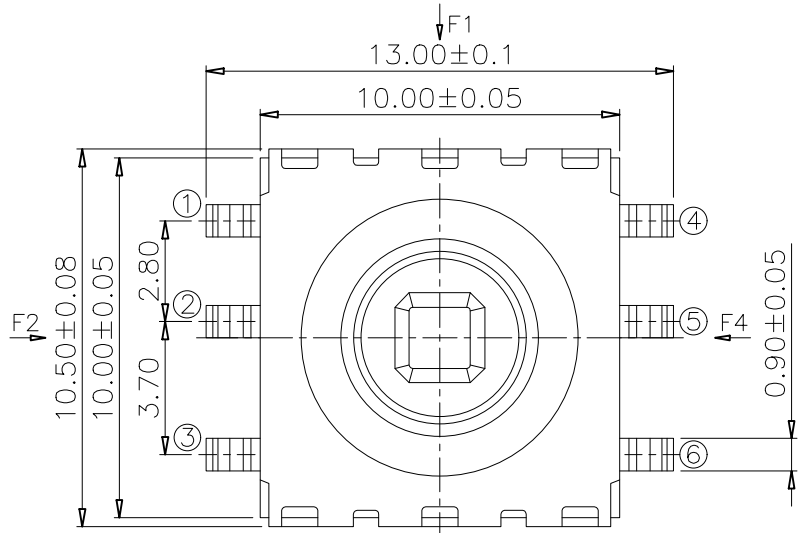
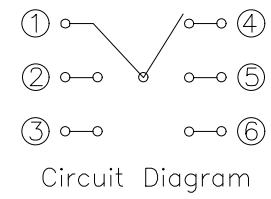


RoHS Compliant

REV. A/0	DESCRIPTION NEW	DESIGN CWF	DATE
-------------	--------------------	---------------	------



	1	2	3	4	5	6
F1	○			○		
F2	○	○				
F3	○				○	
F4	○				○	
F5	○		○			



⑦	Contact	5	F.Ag/SUS	—
⑥	Terminal	6	Brass(0.20t)	Plating silver
⑤	Contact gasket	1	F.Ag/Cu	—
④	Base	1	LCP	Black
③	Cover	1	SUS	—
②	Axle sleeve	1	LCP	Black
①	Keystoke	1	PA46	Black
ITEM	PART NAME	QTY.	MATERIAL	FINISHING

Operating force:4-Direction 250±80gf
Center push 250±80gf

THESE DRAWINGS AND SPECIFICATIONS ARE THE PROPERTY OF SHENZHEN YUCHENG ELECTRONICS.LTD AND SHALL NOT BE REPRODUCED, COPIED OR USED IN ANY MANNER WITHOUT THE PRIOR WRITTEN CONSENT OF SHENZHEN YUCHENG ELECTRONICS.LTD

YUCHENG 深圳市裕诚电子有限公司
ELECTRONICS SHENZHEN YUCHENG ELECTRONICS CO.,LTD

APPROVED:	WEI JIE	GENERAL TOLERANCES	TITLE:	MULTIFUNCTION SWITCH
CHECKED:	HONG JIN YUN	30~以上 ±0.30	PART NO.:	M1-5239S
DRAWING:	CHEN YA	10~30 ±0.20	WEBSITE:	www.ycelectron.com
		5~10 ±0.15	REV: A	UNIT: mm SCALE: / SHEET: A4
		~ 5 ±0.10		
		SHEET: 1 / 1		