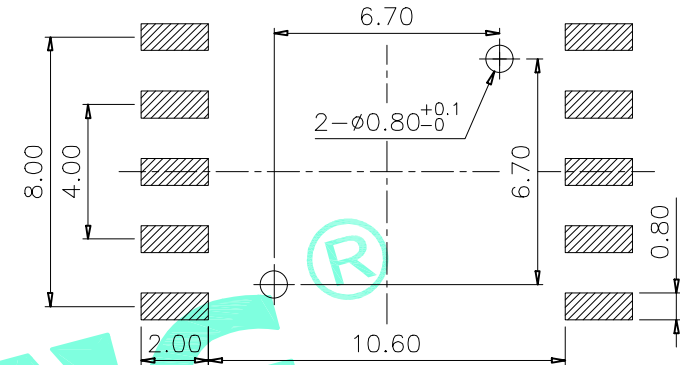
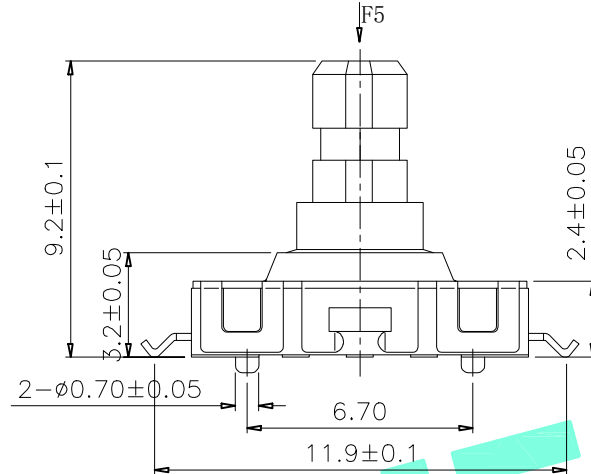
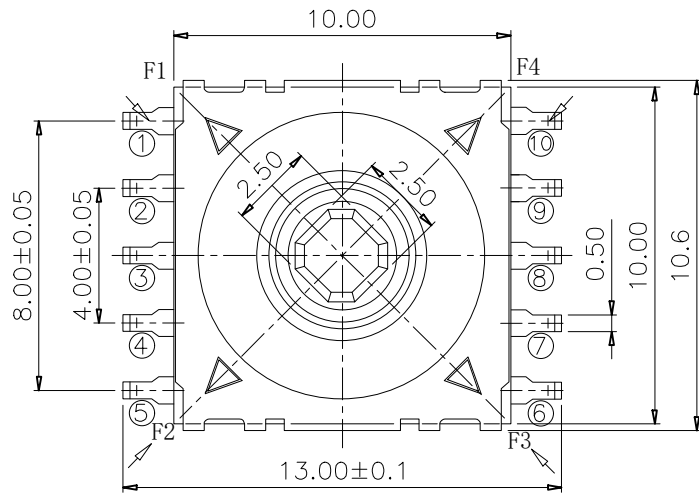


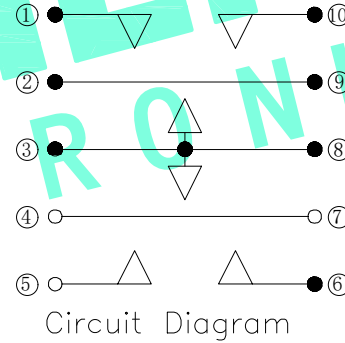
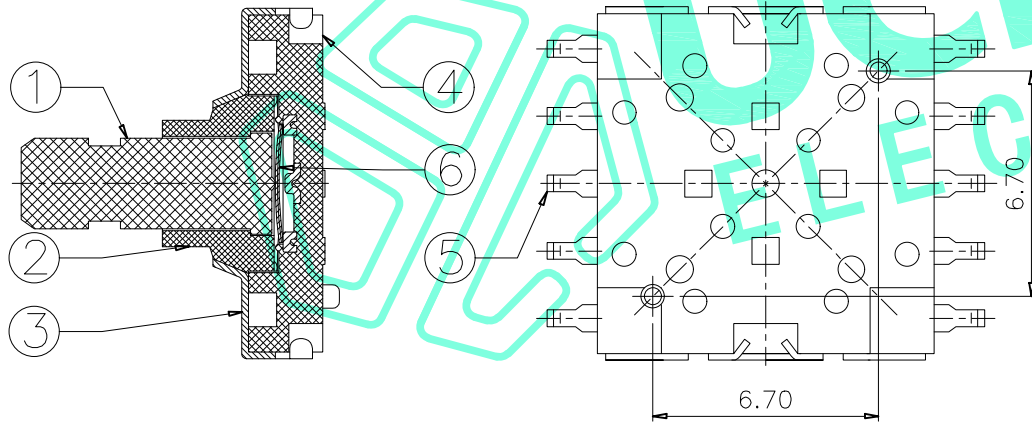
RoHS Compliant

REV. A/0	DESCRIPTION NEW	DESIGN CWF	DATE
----------	-----------------	------------	------



PCB Layout (Pattern side)

NOTE:  
Operating Force:  
lever portion 4-180 ± 50 gf  
Push portion 250 ± 50 gf



ITEM	PART NAME	QTY.	MATERIAL	FINISHING
⑥	Contact	6	F.Ag/SUS	Natural
⑤	Terminal	10	Brass(0.20t)	Plating silver
④	Base	1	LCP	Black
③	Cover	1	SUS	Natural
②	Axle sleeve	1	LCP	Black
①	Keystoke	1	LCP	Black

	1	2	3	4	5	6	7	8	9	10		
F1	○	○									○	
F2					○	○		○				
F3					○			○	○			
F4		○								○	○	
F5	○	○	○					○	○	○		

THESE DRAWINGS AND SPECIFICATIONS ARE THE PROPERTY OF SHENZHEN YUCHENG ELECTRONICS, LTD. AND SHALL NOT BE REPRODUCED, COPIED OR USED IN ANY MANNER WITHOUT THE PRIOR WRITTEN CONSENT OF SHENZHEN YUCHENG ELECTRONICS, LTD.

**YUCHENG ELECTRONICS** 深圳市裕诚电子有限公司  
SHENZHEN YUCHENG ELECTRONICS CO., LTD

APPROVED:	WEI JIE	GENERAL TOLERANCES	TITLE:	MULTIFUNCTION SWITCH
CHECKED:	HONG JIN YUN	30~以上 ±0.30	PART NO.:	M1-5381G
DRAWING:	CHEN YA	10~30 ±0.20	WEBSITE:	www.ycelectron.com
		5~10 ±0.15	REV: A	UNIT: mm SCALE: / SHEET: A4
		~ 5 ±0.10		
		SHEET: 1 / 1		