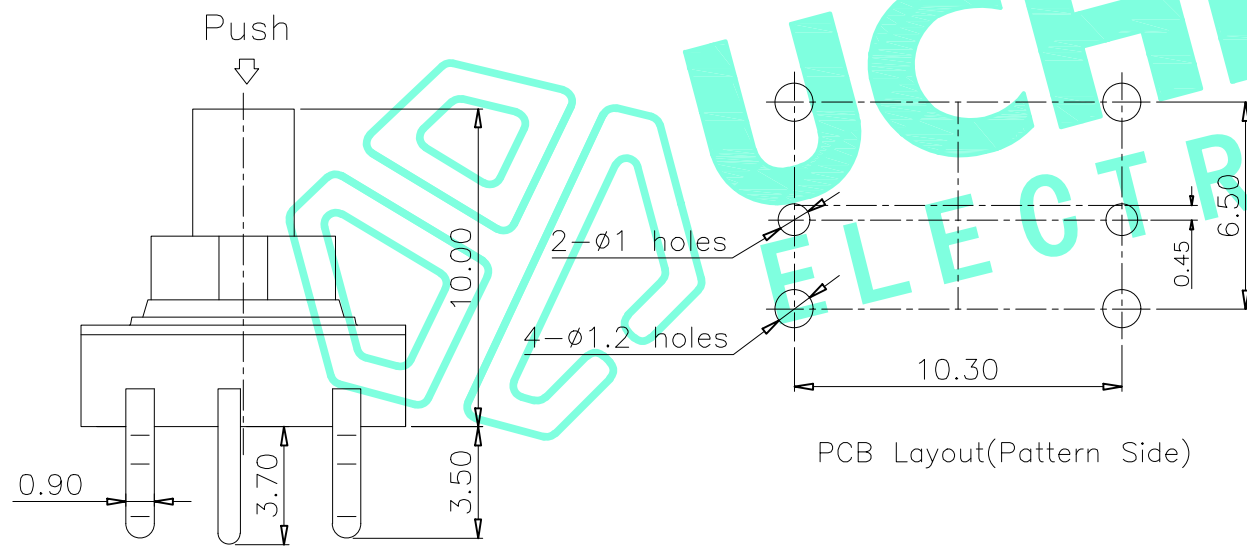
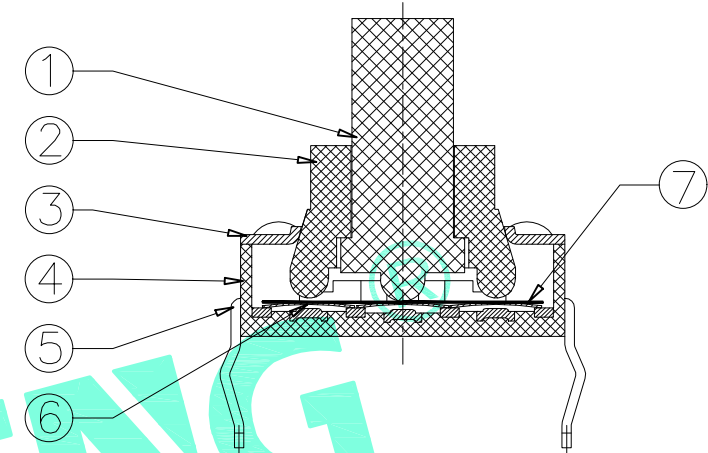
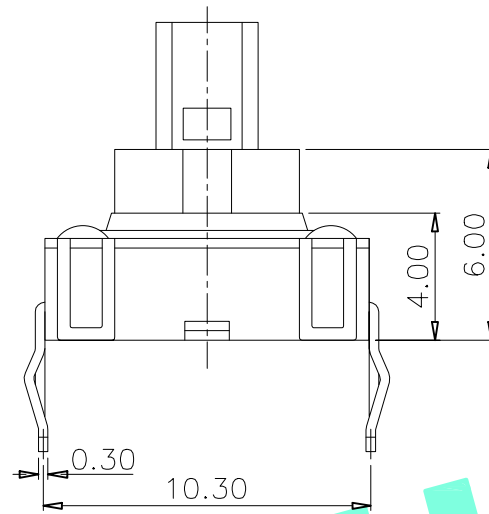
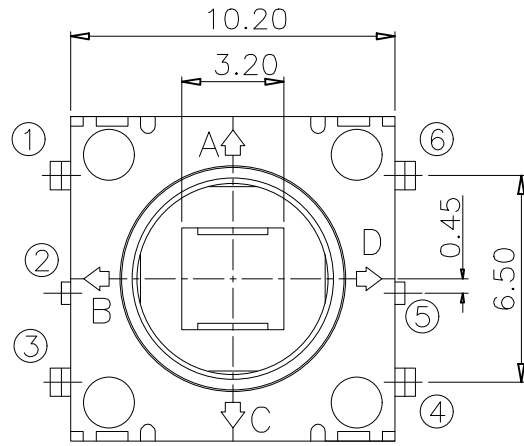


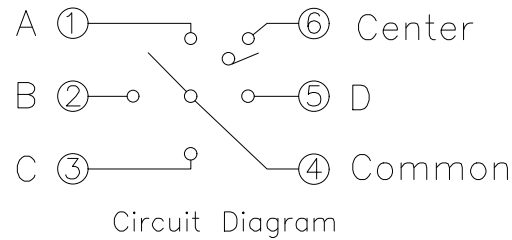
RoHS Compliant

REV. A/0	DESCRIPTION NEW	DESIGN CWF	DATE
-------------	--------------------	---------------	------



PCB Layout(Pattern Side)

NOTE:  
Operating Force:  
4-direction  $160 \pm 35$  gf  
center push  $300 \pm 35$  gf  
Travel:4-direction  $5^\circ \pm 2^\circ$   
center push  $0.20 \pm 0.1$ mm



ITEM	PART NAME	QTY.	MATERIAL	FINISHING
⑦	Dust cover	1	Kapton film	Yellow
⑥	Contact	6	F.Ag/SUS	—
⑤	Terminal	8	Brass(0.3t)	Plating silver
④	Base	1	PA46	Black
③	Cover	1	SUS	Plating Ni
②	Axle sleeve	1	LCP	Off-white
①	Knob	1	LCP	Black

THESE DRAWINGS AND SPECIFICATIONS ARE THE PROPERTY OF SHENZHEN YUCHENG ELECTRONICS,LTD.AND SHALL NOT BE REPRODUCED,COPIED OR USED IN ANY MANNER WITHOUT THE PRIOR WRITTEN CONSENT OF SHENZHEN YUCHENG ELECTRONICS,LTD

APPROVED: WEI JIE  
CHECKED: HONG JIN YUN  
DRAWING: CHEN YA

**UCHENG** ELECTRONICS 深圳市裕诚电子有限公司  
SHENZHEN YUCHENG ELECTRONICS

GENERAL TOLERANCES	TITLE: ○ MULTIFUNCTION SWITCH
30~以上 ±0.30	PART NO: M1-5362H
10~30 ±0.20	
5~10 ±0.15	WEBSITE: www.ycelectron.com
~ 5 ±0.10	REV: A
SHEET: 1 / 1	UNIT: mm SCALE: / SHEET: A4