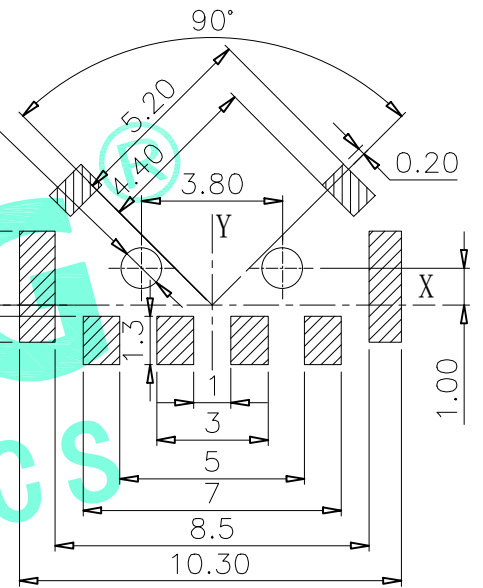
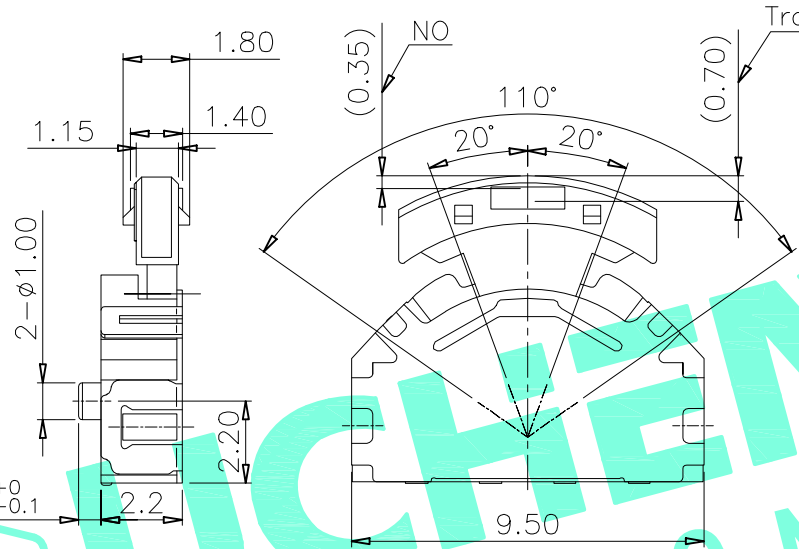
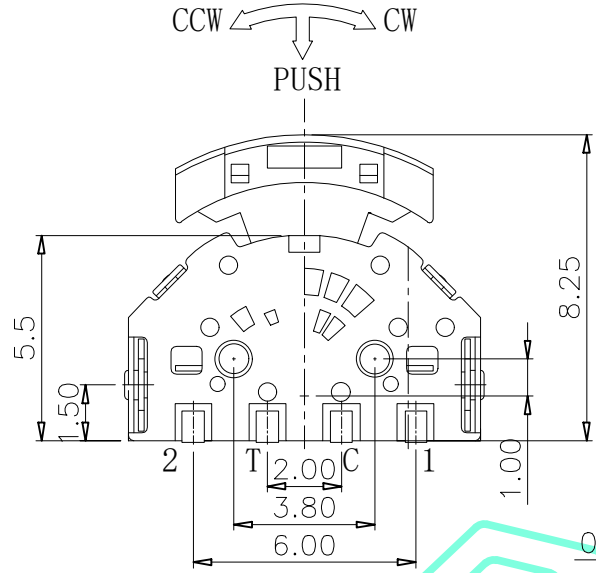
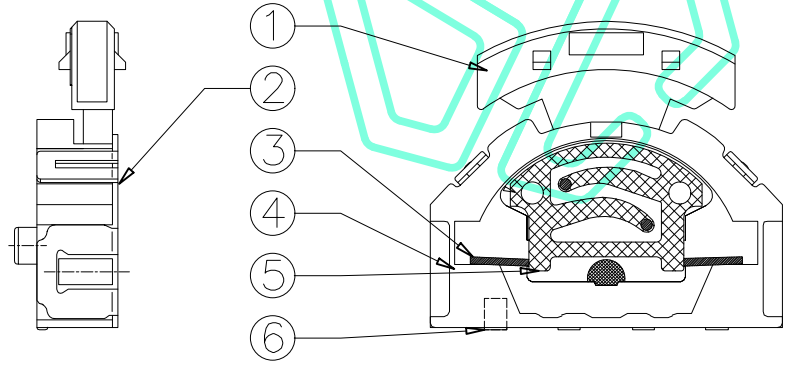


RoHS Compliant

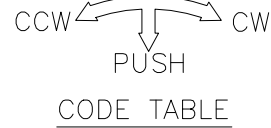
REV. A/0	DESCRIPTION NEW	DESIGN CWF	DATE
----------	-----------------	------------	------



P.C.B Mounting Pattern Dimension



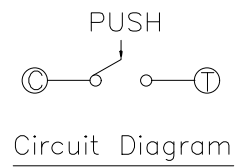
TER	ANG. (20°)	(15°)	(15°)	(20°)
①	NO			
②				NO
③				
④				



CODE TABLE

ITEM	PART NAME	QTY.	MATERIAL	FINISHING
⑥	Contact	1	F.Ag/Brass	—
⑤	Terminal	4	Brass(0.15t)	Plating silver
④	Base	1	Nylon	Black
③	Spring	1	SUS	—
②	Cover	1	SUS	Whitie
①	Keystoke	1	Nylon	Black

NOTE:
Operating Force:
lever portion 100 ± 30 gf
Push portion 205 ± 50 gf



THESE DRAWINGS AND SPECIFICATIONS ARE THE PROPERTY OF SHENZHEN YUCHENG ELECTRONICS, LTD. AND SHALL NOT BE REPRODUCED, COPIED OR USED IN ANY MANNER WITHOUT THE PRIOR WRITTEN CONSENT OF SHENZHEN YUCHENG ELECTRONICS, LTD.

APPROVED: WEI JIE
CHECKED: HONG JIN YUN
DRAWING: CHEN YA

UCHENG 深圳市裕诚电子有限公司
ELECTRONICS SHENZHEN YUCHENG ELECTRONICS CO.,LTD

GENERAL TOLERANCES		TITLE:	
30~以上	±0.30	MULTIFUNCTION SWITCH	
10~30	±0.20	PART NO: M1-5358H	
5~10	±0.15	WEBSITE: www.ycelectron.com	
~ 5	±0.10	REV: A	
SHEET: 1 / 1	UNIT: mm	SCALE: /	SHEET: A4