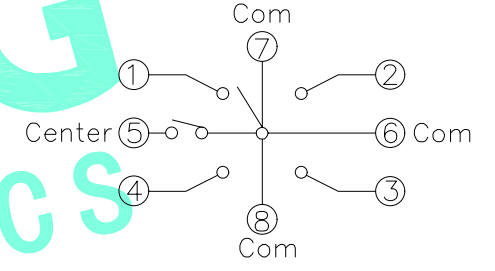
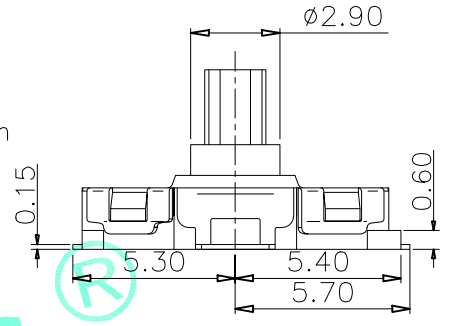
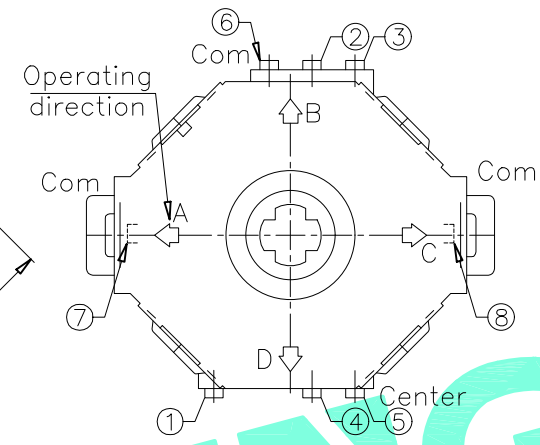
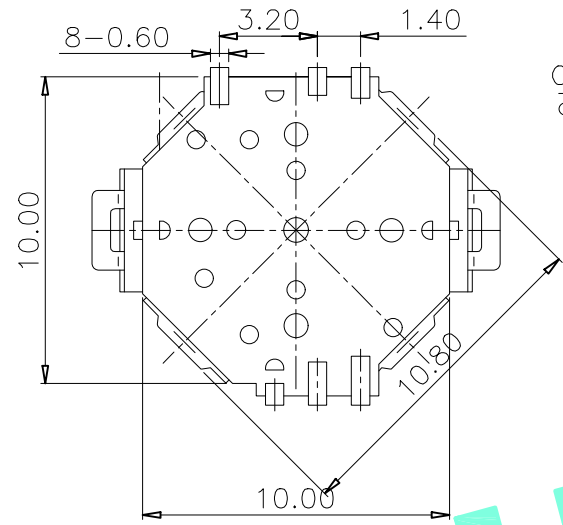
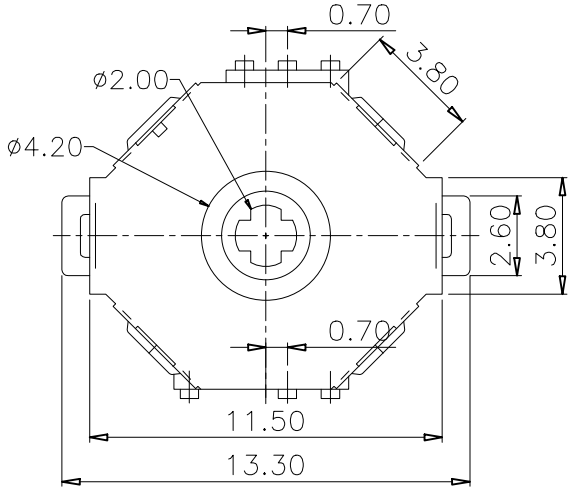
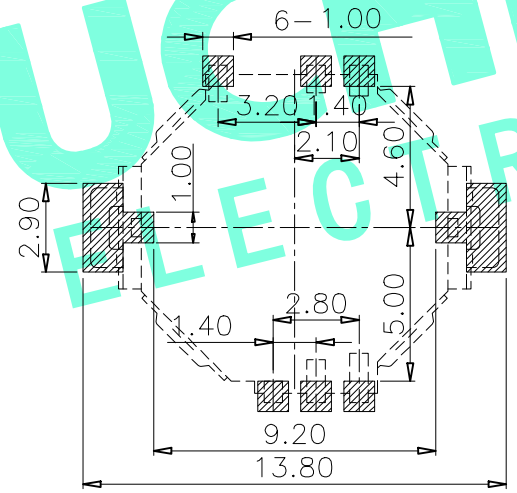
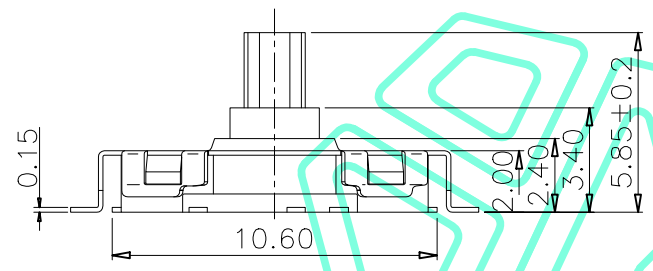


RoHS Compliant

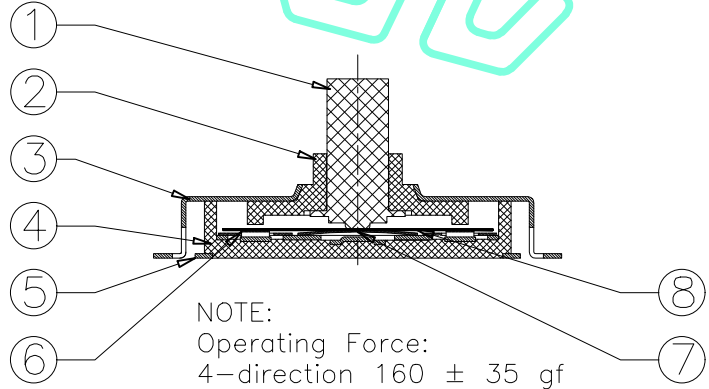
REV. A/0	DESCRIPTION NEW	DESIGN CWF	DATE
----------	-----------------	------------	------



Circuit Diagram



PCB Layout(Pattern Side)



NOTE:
 Operating Force:
 4-direction 160 ± 35 gf
 center push 250 ± 35 gf
 Travel:4-direction 0.25±0.1mm
 center push 0.25±0.1mm

⑧	Dust cover	1	Kapton film	Yellow
⑦	Contact 2	1	F.Ag/SUS	—
⑥	Contact 1	4	F.Ag/SUS	—
⑤	Terminal	8	Brass(0.15t)	Plating silver
④	Base	1	LCP	Black
③	Cover	1	LCP	Black
②	Axle sleeve	1	LCP	Off-white
①	Keystoke	1	PA46	Black
ITEM	PART NAME	QTY.	MATERIAL	FINISHING

THESE DRAWINGS AND SPECIFICATIONS ARE THE PROPERTY OF SHENZHEN YUCHENG ELECTRONICS.,LTD AND SHALL NOT BE REPRODUCED, COPIED OR USED IN ANY MANNER WITHOUT THE PRIOR WRITTEN CONSENT OF SHENZHEN YUCHENG ELECTRONICS.,LTD

APPROVED: WEI JIE
 CHECKED: HONG JIN YUN
 DRAWING: CHEN YA

UCHENG 深圳市裕诚电子有限公司
 ELECTRONICS SHENZHEN YUCHENG ELECTRONICS CO.,LTD

GENERAL TOLERANCES		TITLE: MULTIFUNCTION SWITCH	
30~以上	±0.30	PART NO: M1-5231H	
10~30	±0.20	WEBSITE: www.ycelectron.com	
5~10	±0.15	REV: A	
~ 5	±0.10	UNIT: mm	SCALE: /
SHEET: 1 / 1		SHEET: A4	