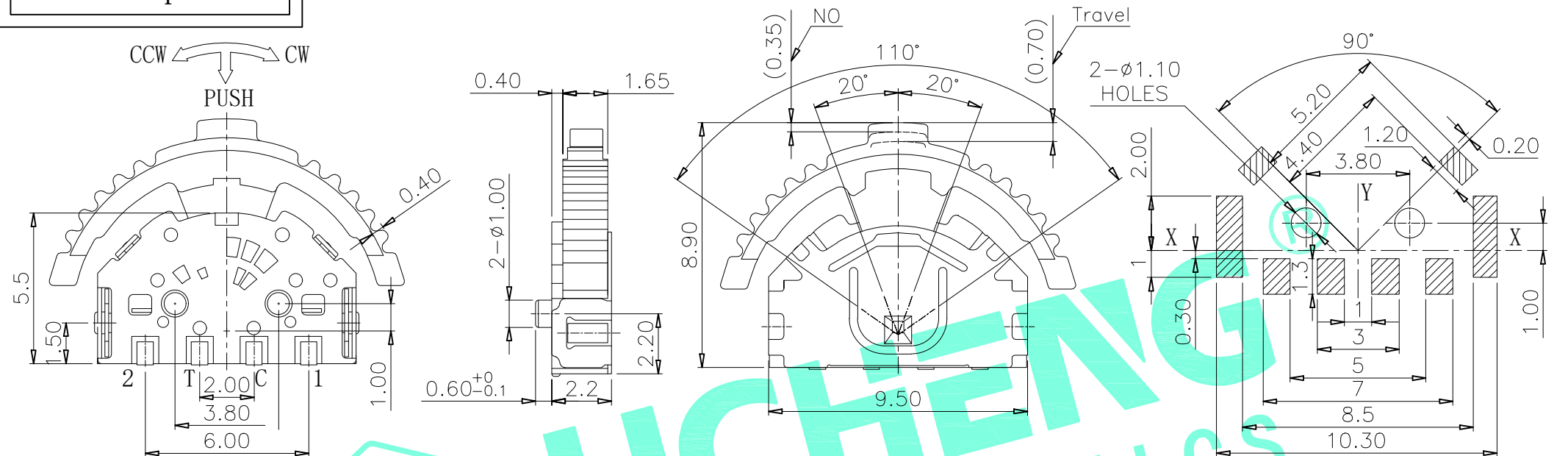


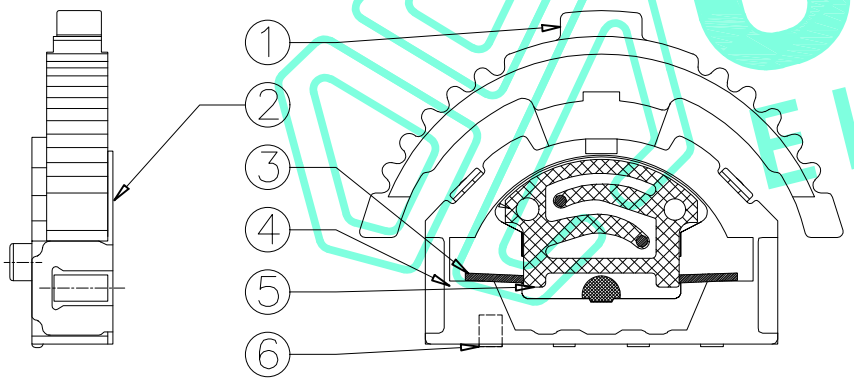
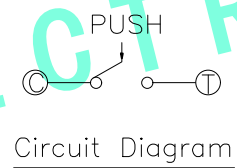
RoHS Compliant

REV. A/0	DESCRIPTION NEW	DESIGN CWF	DATE
----------	-----------------	------------	------



P.C.B Mounting Pattern Dimension

NOTE:
Operating Force:
lever portion 70 ± 40 gf
Push portion 250 ± 40 gf



0° (///=NO)

TER	ANG.	(20°)	(15°)	(15°)	(20°)
①		///			
②					///
③		///	///	///	///

CCW ← → CW
CODE TABLE

ITEM	PART NAME	QTY.	MATERIAL	FINISHING
⑥	Contact	1	F.Ag/Brass	——
⑤	Terminal	5	Brass(0.15t)	Plating silver
④	Base	1	Nylon	Black
③	Spring	1	SUS	——
②	Cover	1	SUS	White
①	Keystoke	1	Nylon	Black

THESE DRAWINGS AND SPECIFICATIONS ARE THE PROPERTY OF SHENZHEN YUCHENG ELECTRONICS,LTD.AND SHALL NOT BE REPRODUCED,COPIED OR USED IN ANY MANNER WITHOUT THE PRIOR WRITTEN CONSENT OF SHENZHEN YUCHENG ELECTRONICS,LTD

APPROVED: WEI JIE
CHECKED: HONG JIN YUN
DRAWING: CHEN YA

YUCHENG ELECTRONICS 深圳市裕诚电子有限公司
SHENZHEN YUCHENG ELECTRONICS

GENERAL TOLERANCES
30~以上 ±0.30
10~30 ±0.20
5~10 ±0.15
~ 5 ±0.10

TITLE: ○ MULTIFUNCTION SWITCH
PART NO: M1-5236G
WEBSITE: www.ycelectron.com
REV: A UNIT: mm SCALE: / SHEET: A4