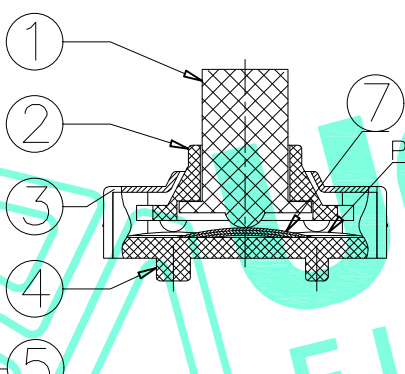
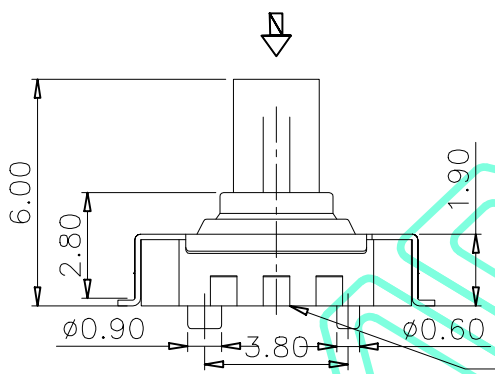
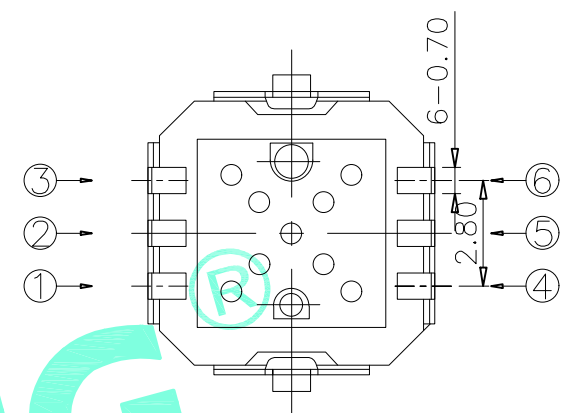
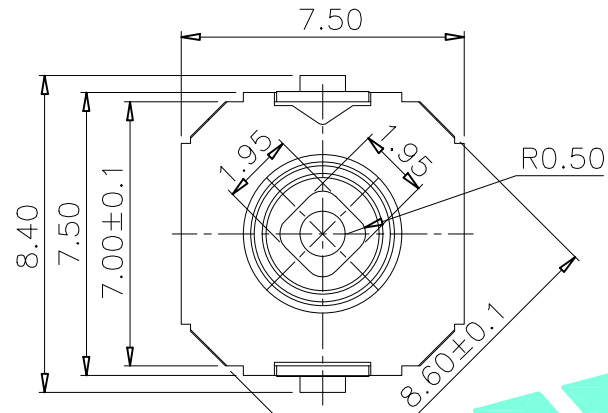
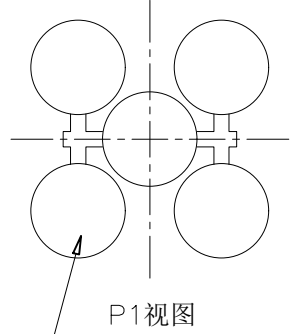
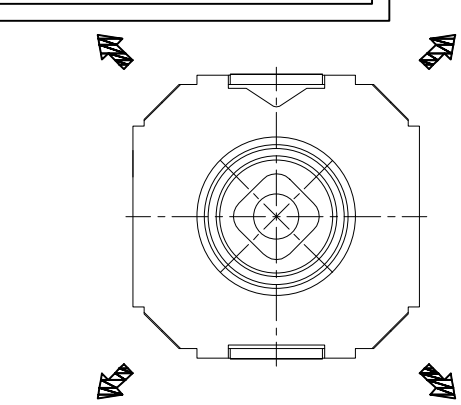
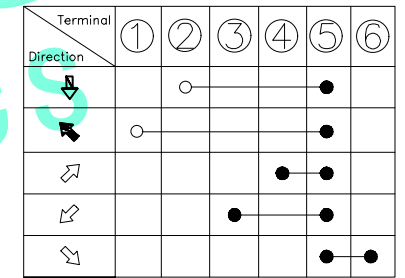


RoHS Compliant

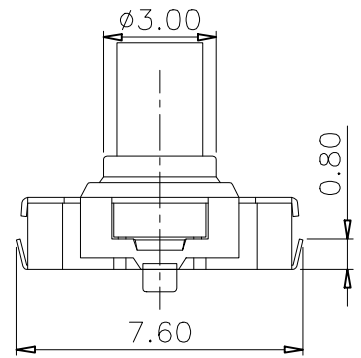
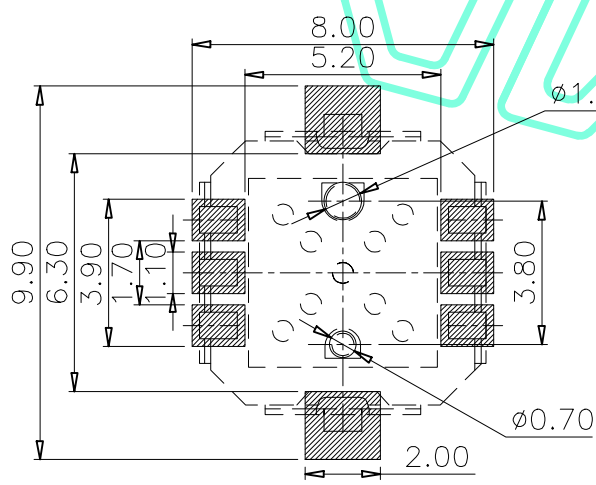
REV. A/0	DESCRIPTION NEW	DESIGN CWF	DATE
----------	-----------------	------------	------



PART NO.	
M1-5246G-195	M1-5246G-190



Circuit Diagram



NOTE:
 Operating Force:
 lever portion: 170 ± 35 gf
 Push portion: 250gf, 350gf, 450gf
 Travel: 4-direction 5°±2°
 center push 0.20±0.1mm

⑦	Mylar	1	Natural	—
⑥	Contact 1	—	F.Ag/SUS	—
⑤	Terminal	6	Brass(0.15t)	Plating silver
④	Base	1	LCP	Black
③	Cover	1	SUS	—
②	Axle sleeve	1	LCP	Black
①	Keystoke	1	PA46	Black
ITEM	PART NAME	QTY.	MATERIAL	FINISHING

THESE DRAWINGS AND SPECIFICATIONS ARE THE PROPERTY OF SHENZHEN YUCHENG ELECTRONICS.,LTD AND SHALL NOT BE REPRODUCED, COPIED OR USED IN ANY MANNER WITHOUT THE PRIOR WRITTEN CONSENT OF SHENZHEN YUCHENG ELECTRONICS.,LTD

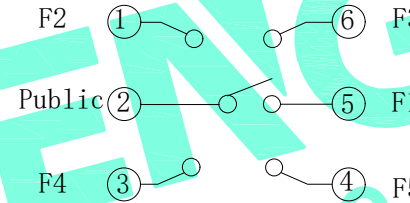
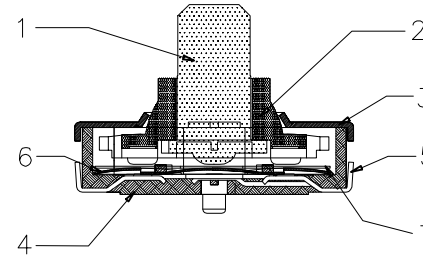
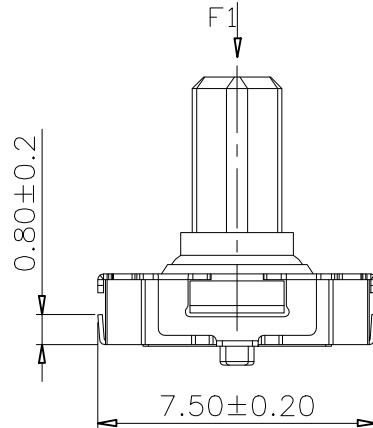
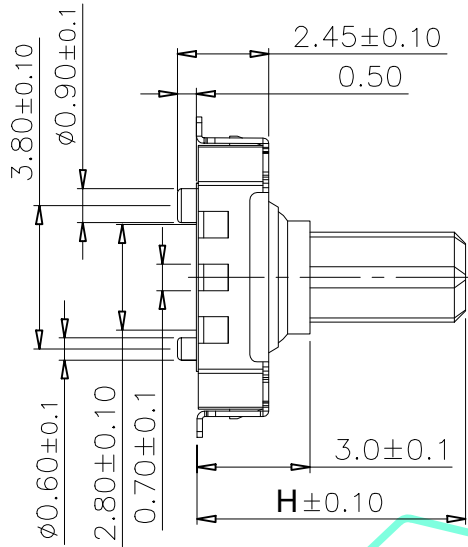
APPROVED: WEI JIE
 CHECKED: HONG JIN YUN
 DRAWING: CHEN YA

YUCHENG ELECTRONICS 深圳市裕诚电子有限公司
 SHENZHEN YUCHENG ELECTRONICS CO.,LTD

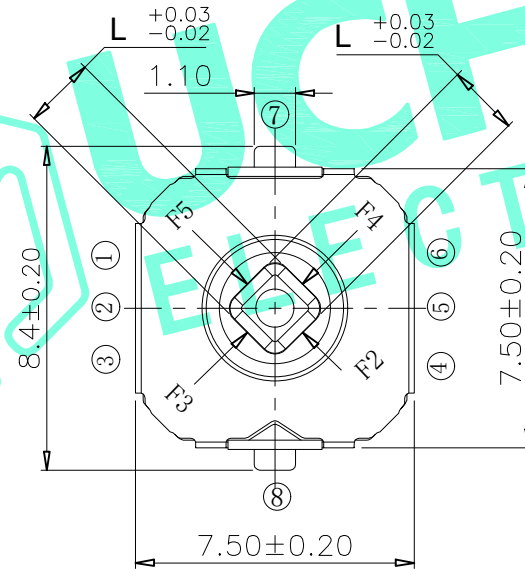
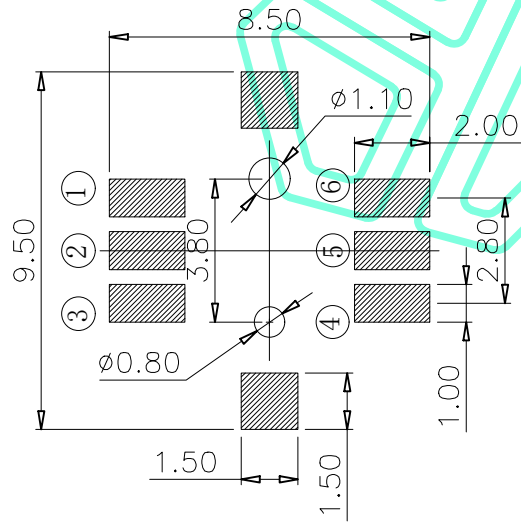
GENERAL TOLERANCES	TITLE:	MULTIFUNCTION SWITCH
30~以上 ±0.30	PART NO.:	M1-5246G
10~30 ±0.20	WEBSITE:	www.ycelectron.com
5~10 ±0.15	REV: A	UNIT: mm SCALE: / SHEET: A4
~ 5 ±0.10	SHEET: 1 / 1	

RoHS Compliant

REV. A/0	DESCRIPTION NEW	DESIGN CWF	DATE
----------	-----------------	------------	------



NO.1	NO.2	NO.3
H	L	Push vigor
6	1.90	260±50
	1.92	
	1.95	
	1.97	
6	1.99	360±70
	1.90	
	1.92	
	1.95	
7.1	1.92	260±50
		360±70
7.8	1.92	360±70
8.0	1.92	360±70
9.0	1.92	360±70



NOTE:
 Rating: DC12V 50mA
 Operating Force:
 lever portion: 160±50gf
 Push portion: 260±50gf
 or lever portion: 240±50gf
 Push portion: 360±70gf
 Travel: 4-direction 6°±2°
 center push 0.15±0.1mm

ITEM	PART NAME	QTY.	MATERIAL	FINISHING
⑦	Mylar	1	PTFE	——
⑥	Contact	2	F.Ag/SUS	——
⑤	Terminal	6	Phosphorous copper	Plating silver
④	Base	1	LCP	Black
③	Cover	1	SUS	Plating Ni
②	Axle sleeve	1	PA6T	Black
①	Keystoke	1	PA6T	Black

PCB Layout(Pattern Side)

THESE DRAWINGS AND SPECIFICATIONS ARE THE PROPERTY OF SHENZHEN YUCHENG ELECTRONICS.LTD AND SHALL NOT BE REPRODUCED, COPIED OR USED IN ANY MANNER WITHOUT THE PRIOR WRITTEN CONSENT OF SHENZHEN YUCHENG ELECTRONICS.LTD

YUCHENG 深圳市裕诚电子有限公司
 ELECTRONICS SHENZHEN YUCHENG ELECTRONICS CO.,LTD

APPROVED:	WEI JIE	GENERAL TOLERANCES	TITLE:	MULTIFUNCTION SWITCH
CHECKED:	HONG JIN YUN	30~以上 ±0.30	PART NO.:	M1-5246G-NO.1/2/3
DRAWING:	CHEN YA	10~30 ±0.20	WEBSITE:	www.ycelectron.com
		5~10 ±0.15	REV: A	UNIT: mm
		~ 5 ±0.10		SCALE: /
		SHEET: 1 / 1		SHEET: A4