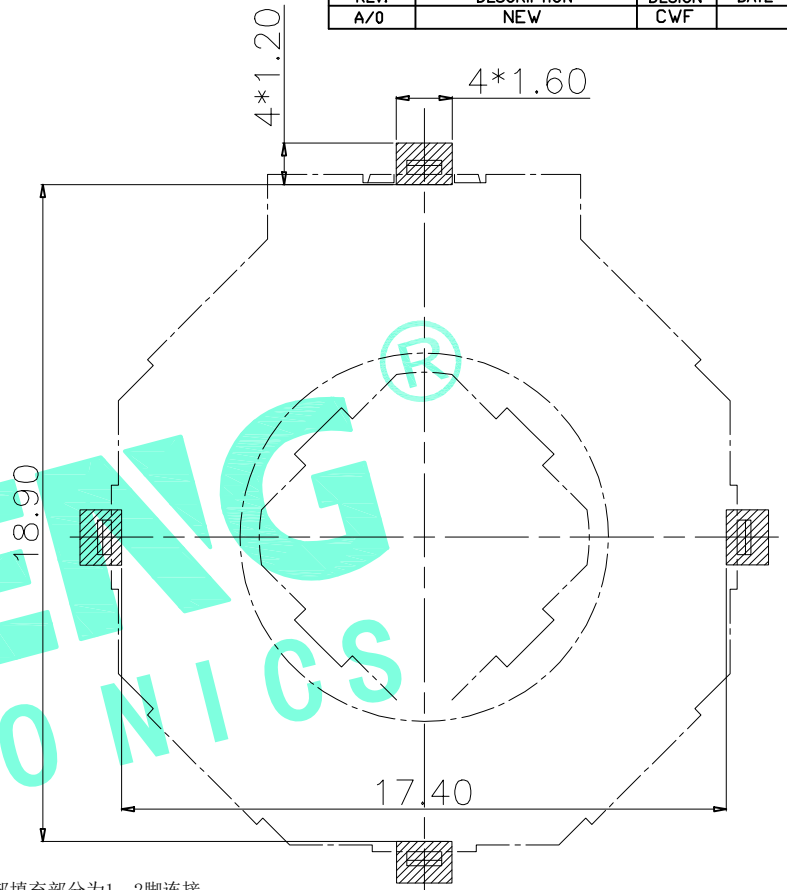
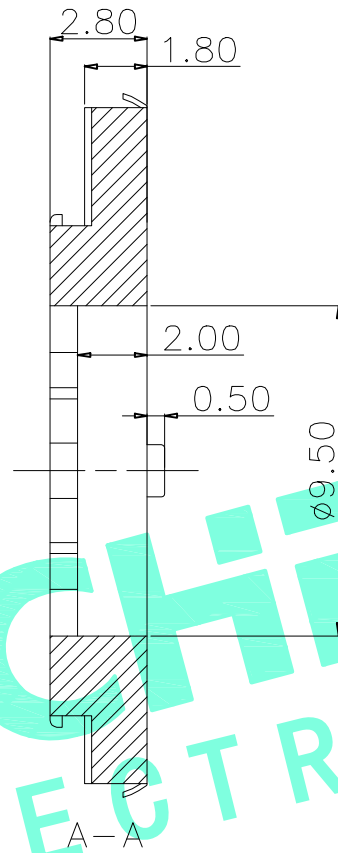
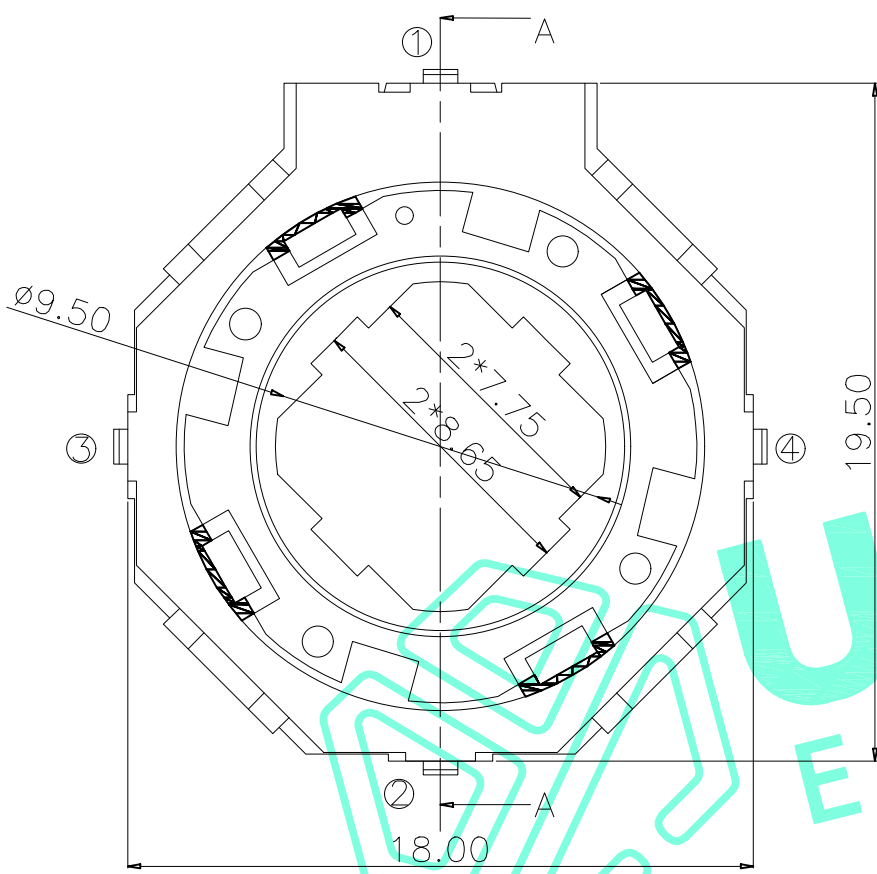


RoHS Compliant

REV. A/0	DESCRIPTION NEW	DESIGN CWF	DATE
-------------	--------------------	---------------	------



内部填充部分为1、2脚连接
外部填充部分为3、4脚连接

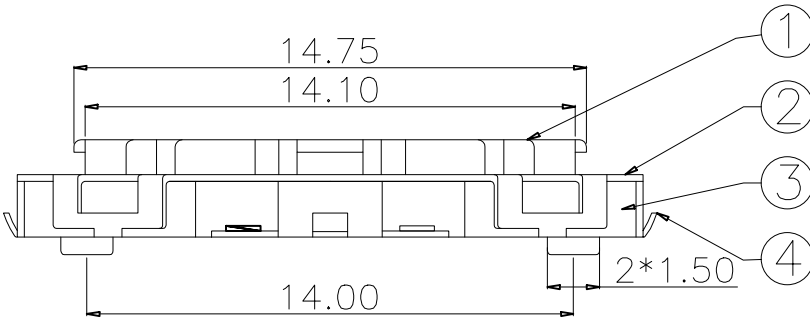
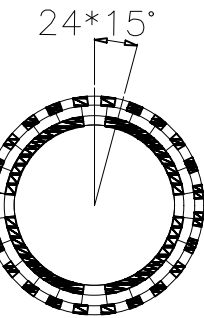
Circuit diagram

PCB Layout(Pattern Side)

⑥	Contact 2	1	F.Ag/SUS	——
⑤	Contact 1	1	F.Ag/SUS	——
④	Terminal	4	Brass(0.15t)	Plating silver
③	Base	1	PA46	Black
②	Cover	1	F.Ag/SUS	——
①	KNOB	1	PA46	White
ITEM	PART NAME	QTY.	MATERIAL	FINISHING

UCHENG 深圳市裕诚电子有限公司
ELECTRONICS SHENZHEN YUCHENG ELECTRONICS CO.,LTD

GENERAL TOLERANCES		TITLE: MULTIFUNCTION SWITCH	
30~以上	±0.30	PART NO: M1-5233S	
10~30	±0.20	WEBSITE: www.ycelectron.com	
5~10	±0.15	REV: A UNIT: mm SCALE: / SHEET: A4	
~ 5	±0.10		
SHEET: 1 / 1			



THESE DRAWINGS AND SPECIFICATIONS ARE THE PROPERTY OF SHENZHEN YUCHENG ELECTRONICS,LTD AND SHALL NOT BE REPRODUCED, COPIED OR USED IN ANY MANNER WITHOUT THE PRIOR WRITTEN CONSENT OF SHENZHEN YUCHENG ELECTRONICS,LTD

APPROVED: WEI JIE
CHECKED: HONG JIN YUN
DRAWING: CHEN YA