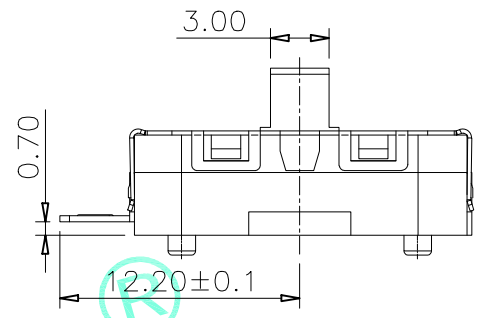
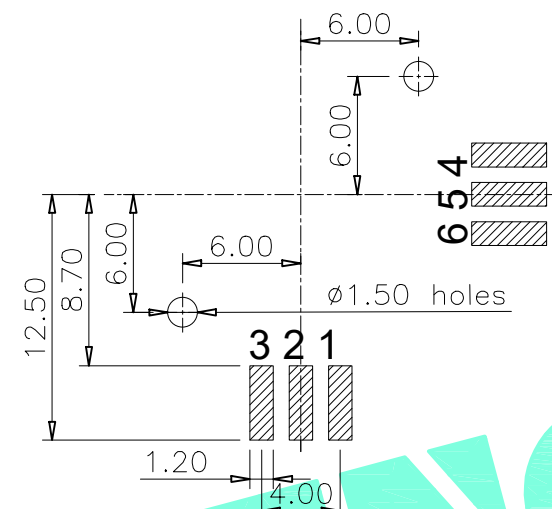
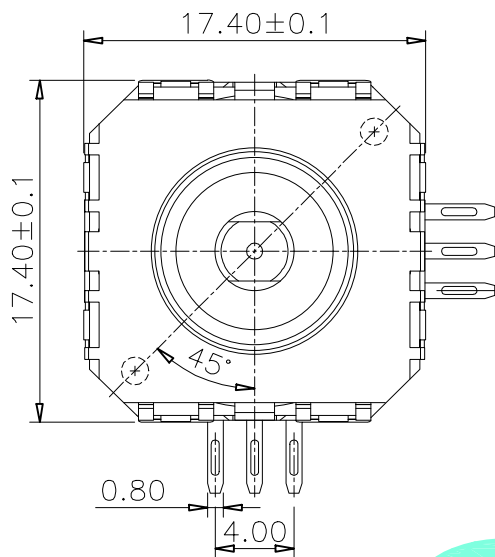
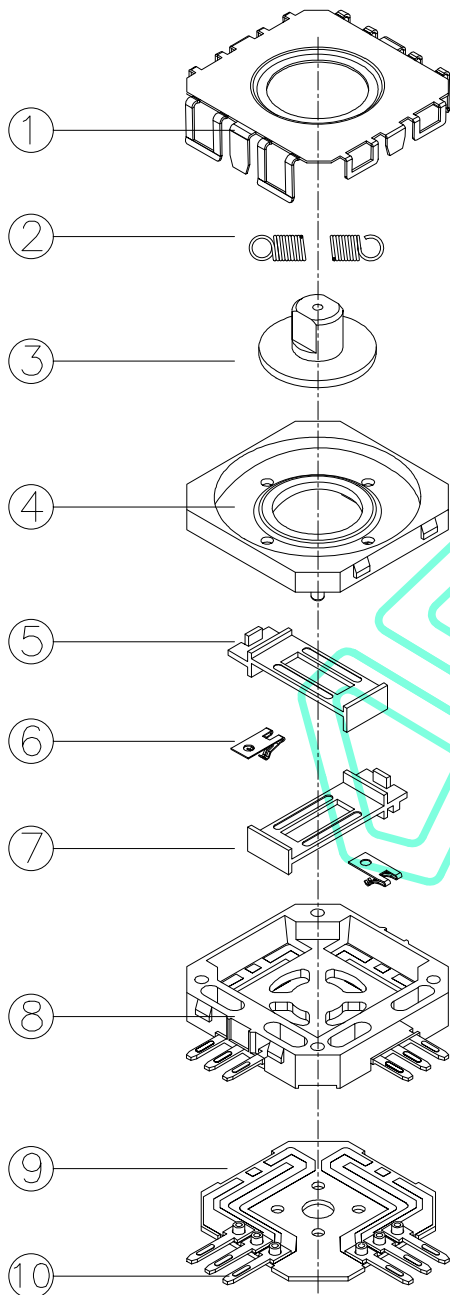


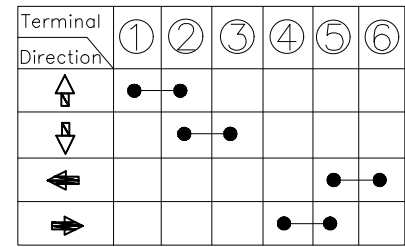
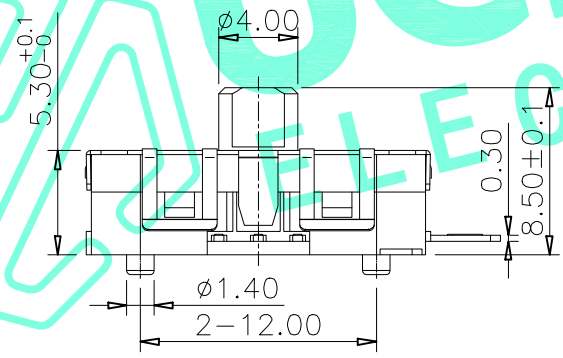
RoHS Compliant

REV. A/0	DESCRIPTION NEW	DESIGN CWF	DATE
----------	-----------------	------------	------



PCB Layout (Pattern Side)

NOTE:
Operating Force: 50gf-180gf Max



Circuit Diagram

ITEM	PART NAME	QTY.	MATERIAL	FINISHING
⑩	Terminal	6	H65(0.3t)	Plating silver
⑨	PCB	1	FR4	—
⑧	Base	1	PPA	Black
⑦	Movable pin 2	1	LCP	White
⑥	Contact	2	Brass(0.10t)	Plating silver
⑤	Movable pin 1	1	LCP	White
④	Cover 2	1	FR52	Black
③	Rocker	1	FR52	Black
②	spring	1	SUS	—
①	Cover 1	1	SUS	White

THESE DRAWINGS AND SPECIFICATIONS ARE THE PROPERTY OF SHENZHEN YUCHENG ELECTRONICS, LTD. AND SHALL NOT BE REPRODUCED, COPIED OR USED IN ANY MANNER WITHOUT THE PRIOR WRITTEN CONSENT OF SHENZHEN YUCHENG ELECTRONICS, LTD.

APPROVED: WEI JIE
CHECKED: HONG JIN YUN
DRAWING: CHEN YA

YUCHENG ELECTRONICS 深圳市裕诚电子有限公司
SHENZHEN YUCHENG ELECTRONICS CO.,LTD

GENERAL TOLERANCES	TITLE:	MULTIFUNCTION SWITCH
30~以上 ±0.30	PART NO.:	M1-5381G
10~30 ±0.20	WEBSITE:	www.ycelectron.com
5~10 ±0.15	REV: A	UNIT: mm SCALE: / SHEET: A4
~ 5 ±0.10	SHEET: 1 / 1	